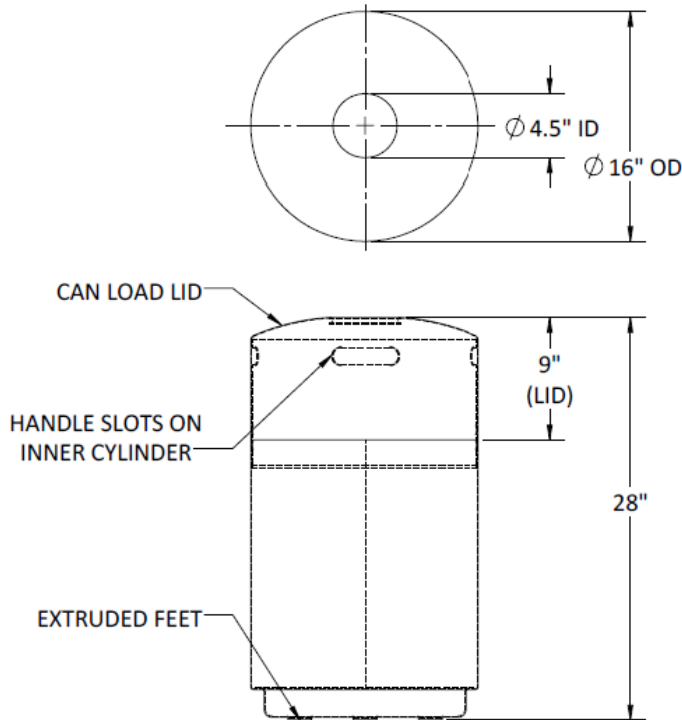




PART NO: **CLEANLINE.20.ES**
20 GALLON RECYCLABLE WASTE RECEPTACLE



COMPONENTS:

Inner Cylinder.....18 Ga. (.05") Stainless Steel type 304. Rolled sheet welded to the interior of the receptacle equipped with four handle slots for bag stabilization in addition to ribbed features for a snug fit for the Top Load Lid.

Outer Cylinder.....18 Ga. (.05") Stainless Steel type 304 with a beautiful brush finish. The visually seamless rolled sheet fits flush with the Top Load Lid.

Top Load Lid.....18 Ga. (.05") Stainless Steel type 304. Concave Top Load Lid accommodates a sanitary 'touchless' method of waste disposal.

Base.....14 Ga. (.07") Stainless Steel type 304. The recessed base is welded to the outer cylinder and furnished with hidden extruded feet to elevate the receptacle.

»Long-Lasting »Corrosion and Rust Resistant »Scratch-Resistant »Durable »Indoor and Outdoor use
