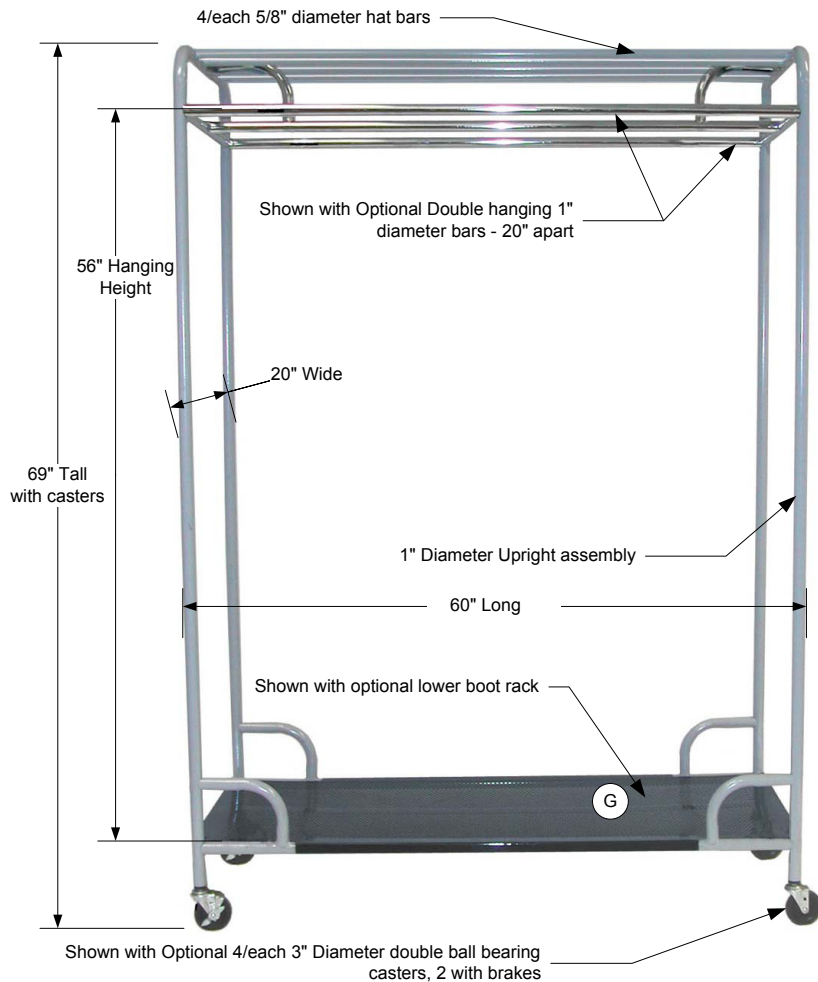




Site Furnishings

INSTRUCTION SHEET for *Garment Racks, Model# 790 Series*

- 790-36 S:** 36" with single center hanging bar/**790-36 D:** 36" with two additional hanging bars
790-48 S: 48" with single center hanging bar/**790-48 D:** 48" with two additional hanging bars
790-60 S: 60" with single center hanging bar/**790-60 D:** 60" with two additional hanging bars
790-36R: 36" Boot rack/**790-48R:** 48" Boot rack/**790-60R:** 60" Boot rack
790-3B: set of 4/each 3" casters, 2 with brakes



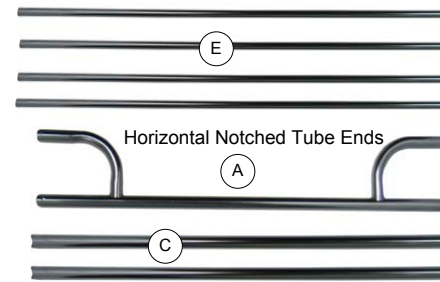
PH: 1-800-821-7670

Fax: 1-317-862-9422

EMAIL: occontac@occoutdoors.com

Note: Single units come with Screw Pack 20-PAK-12 (12 screws), Double units with Screw Pack #30-PAK-11 (16 screws)

1. Screw **A** [Top Center Support Assembly] to one of the **B** [Upright Assembly].
2. Then, screw **D** [Lower Support] to **B** [Upright Assembly] at the bottom center of the upright
3. Lay the entire assembly on the floor, with **D** [Lower Support] and **A** [Top Center Support Assembly] standing straight in the air. Insert the four 5/8" dia. **E** [Hat Bar] tubes into the holes at the end of the upright. If you have a double wide unit, you should screw the two **C** [Coat Bars] to **B** [Upright Assembly] on either side of the **A** [Top Center Support Assembly].
4. Add the other **B** [Upright Assembly] on top of the tubes and screw **D** [Lower Support], and **A** [Top Center Support Assembly] securely at three places shown. If you have a double wide unit, screw together at four places. Tighten securely.
5. If you have a unit with casters, insert **F** [Casters] into the caster inserts in the tube ends of **B** [Upright Assembly]. NOTE: Install casters with brakes at opposite corners of the unit.
6. Stand the unit upright. To install optional Boot Rack place **G** [Boot Rack] over the two bottom cross tubes on **B** [Upright Assembly], and the two lower support bars and push down.



- Parts List
- A: Top Center Support Assembly (1)
 - B: Upright Assemble (2)
 - C: Double Support/Coat Bar (2)
 - D: Lower Support (2)
 - E: Hat Bar (4)
 - F: Stem Casters (Optional) (4)
 - G: Boot Rack (Optional) (1)
 - H: 1/4-20 x 2 1/8" Screw (12/16)

