

6' Bench shown, see page 2 for actual bench design.

4' Broadway Park Bench Features

- Ergonomically Designed Park Bench with vertical steel slats and a powder coat finish
- All-steel heavy duty construction:
 - Sturdy 1/4" thick x 1" wide slats are securely welded to a 1" schedule 40 pipe at the top & bottom of the seat. Legs are constructed of 1 1/2" x 11 gauge steel tubing.
- Fully assembled
- Pre drilled mounting holes in feet (Anchoring hardware included)
- Mounted on skids to insure trouble-free shipping
- Bench is 48" long X 34" high x 24" deep x 16" seat height
- Optional Center Anti-Vagrant Arm Rest is Available
- Weight: pounds
- Our durable Super TGIC powder coat paint Zinc Advantage system
- Weight: 135 Lbs.

Options

Anchor Kit

Standard anchor kit included with bench Tamper resistant kit Option @ extra cost (\$8.00)

Anti-Vagrant Center Arm Rest Option (\$42.90)



Zinc Advantage Process Details:

Zinc rich primer & Super TGIC powder coat Finishing operations.

- 1. Sand blasts each unit down to shiny metal.
- 2. Clean and hand inspects each unit.
- 3. Powder coat with 70 % zinc rich epoxy resin primer.
- 4. Partially bake the primer.
- 5. Powder coat with SUPER TGIC Polyester finish coat.
- 6. Final bake, creating a molecular bond between the steel, primer and finish coat.
- 7. Each part is tested by a Xylene test to insure a complete cure.

Advantages:

1. A very tough durable finish with 5 times the fade resistance of standard TGIC powder coatings with a 3H pencil hardness. (All test conducted in South Florida.)
2. If scratched through to the metal, the zinc rich primer greatly reduce rust and the potential for the migration of rust.
3. This system is cured and each unit test for cure so many types of paint used for graffiti can be clean with mild solvents.

Our paint manufacturer's Zinc rich primer TGIC Polyester out lasts all major competitors on the 4000 hour salt spray test per ASTM B117. Detailed reports available by request.

Bench Colors: OCC offers hundreds of color including the standard RAL colors, Architectural series and custom mixed colors. Please contact us with you color requirements. For more details please go to: www.occoutdoors.com/blog/understanding-nonstandard-colors-cost.

Standard RAL Colors

Black (RAL 9005)	Bronze (C33)
Green (RAL 6005)	Blue (RAL (5012)
Silver Gray (70049)	Burgandy (RAL 3004)

OCCOutdoors, Inc. Warranty: 20 Years Structural and one year paint when installed and maintained properly. We agree to repair or replace, any items determined to be defective. Items specifically not covered by this warranty include vandalism, man-made or natural disasters, lack of maintenance, normal weathering or wear and tear due to public abuse.

NOTES:

1. INSTALLATION TO BE COMPLETED IN ACCORDANCE WITH MANUFACTURER'S SPECIFICATIONS.
2. ALL DIMENSIONS ARE CONSIDERED TRUE AND REFLECT MANUFACTURER'S SPECIFICATIONS
3. DO NOT SCALE DRAWING.

This document contains OCC Outdoors Proprietary Information. No intellectual copyright or license is granted by OCC Outdoors in connection with it. It is delivered on the express condition that the document and the information contained in it shall be treated as confidential, shall not be used for and purpose other than that for which it is hereby delivered (the use and maintenance of the product supplied). It shall not be disclosed in whole or part to third parties and shall not be duplicated in any manner without OCC Outdoors's prior approval.

OCCOutdoors Products

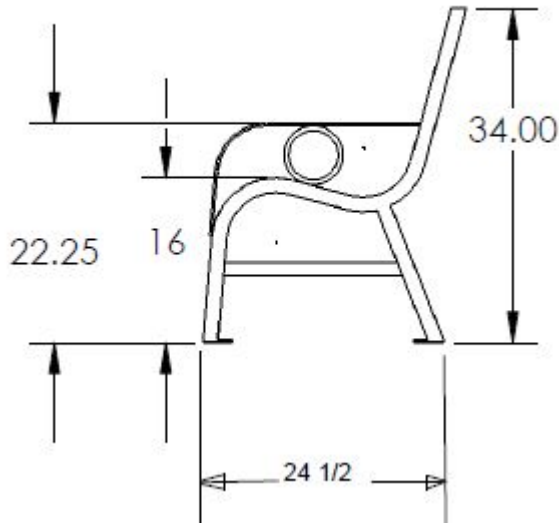
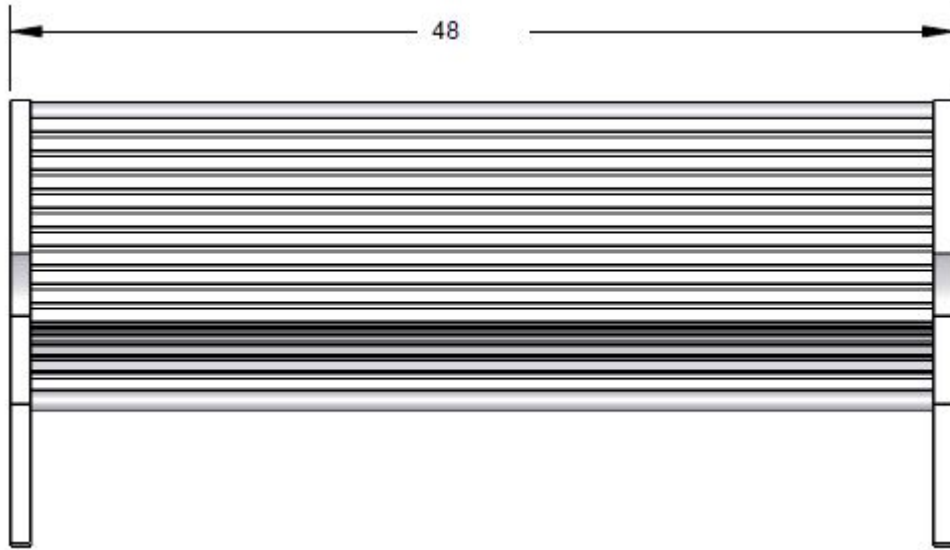
PH: 1-800-821-7670
 EMAIL - occcontact@occoutdoors.com
 Fax: 1-317-862-9422

4 Foot Broadway Park Bench

Part #: BEN-H-4

Date: 11/2/2016

4' Broadway Park Bench Dimensions



Material Description

- Slats = 1/4" x 1.0" Flat Bar
- Legs = 1-1/2" x 11 GA Steel Tube
- Connector Brace = 1" Sch 40 Pipe Leg
- Brace = 1-1/4" x 14 GA Steel Tube
- Anchor Plate = 1.25 x 3/16" flat Steel
- Arm Rest = 1-1/2" x 1/4" Flat Bar
- Ring = 6" OD 1/2" Sq Tube

Overall Weight = Lbs.

The Broadway product line has several matching trash receptacles, benches, ash urns and more