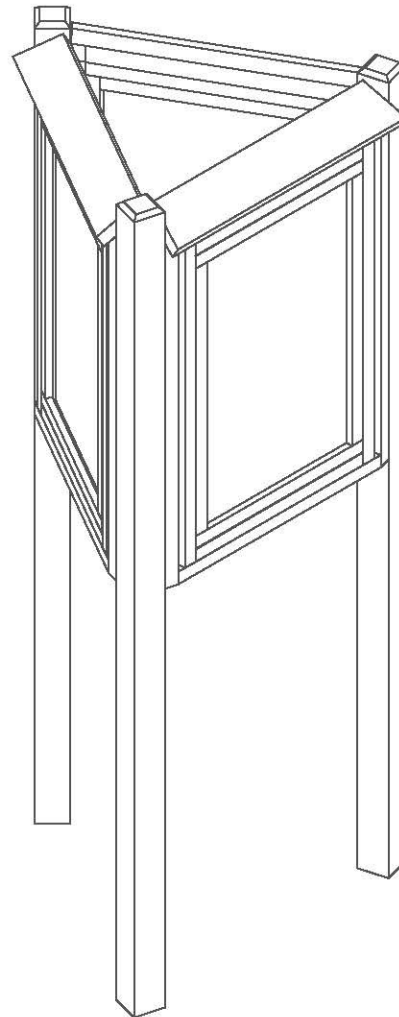
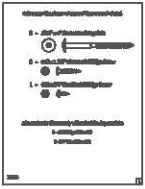


Three Sided Kiosk Message Center

For Fastener Pack
(FP-3KMC-CU-01)

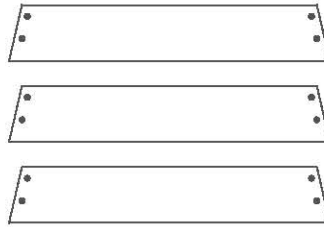


Before assembly, please make sure all components are included.

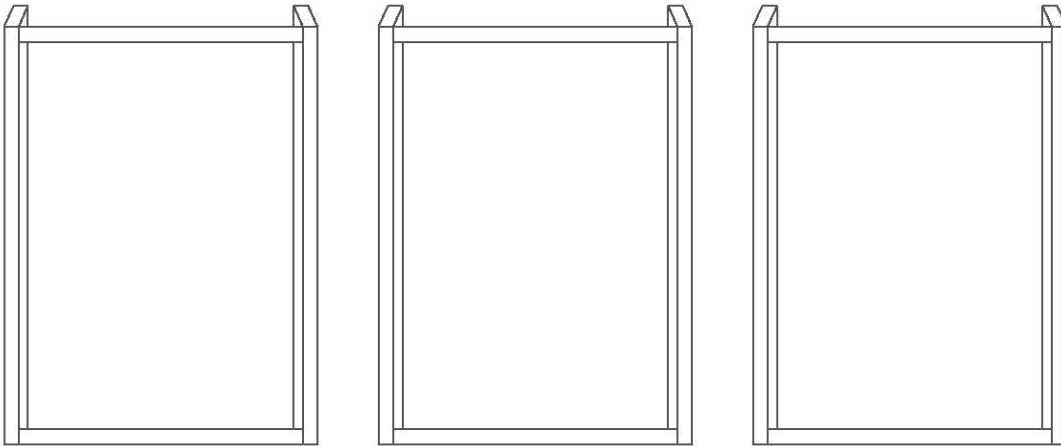


(1) - One Fastener Pack
FP-3KMC-CU-01

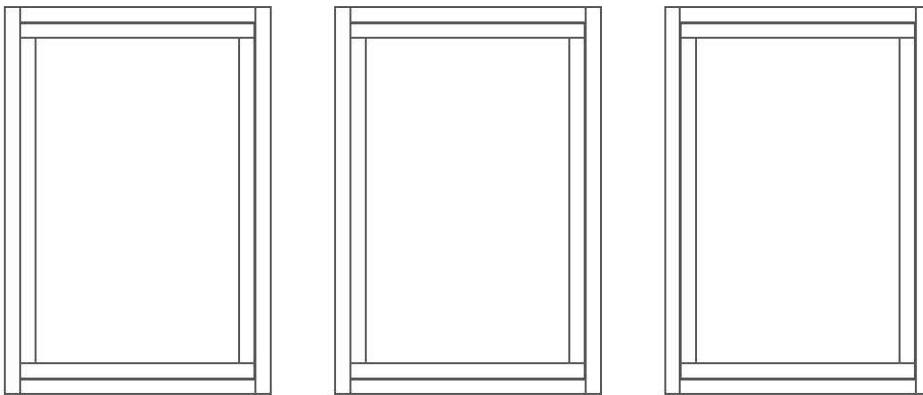
FP - Fastener Pack



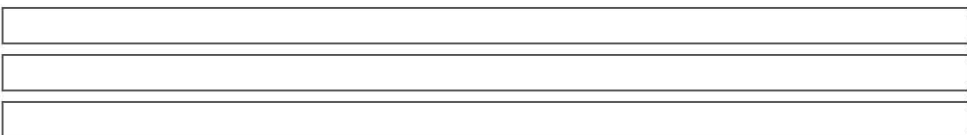
(3) - Three - Message Center Roof
MP-3KMC-B-01



(3) - Three - Message Center Frame
MSA-3KMC-F-01



(3) - Three - Message Center
MSA-3KMC-M-01

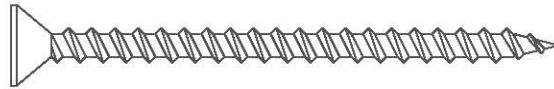


(3) - Three - Post
MP-3KMC-A-01

FS-3KMC-CA-01

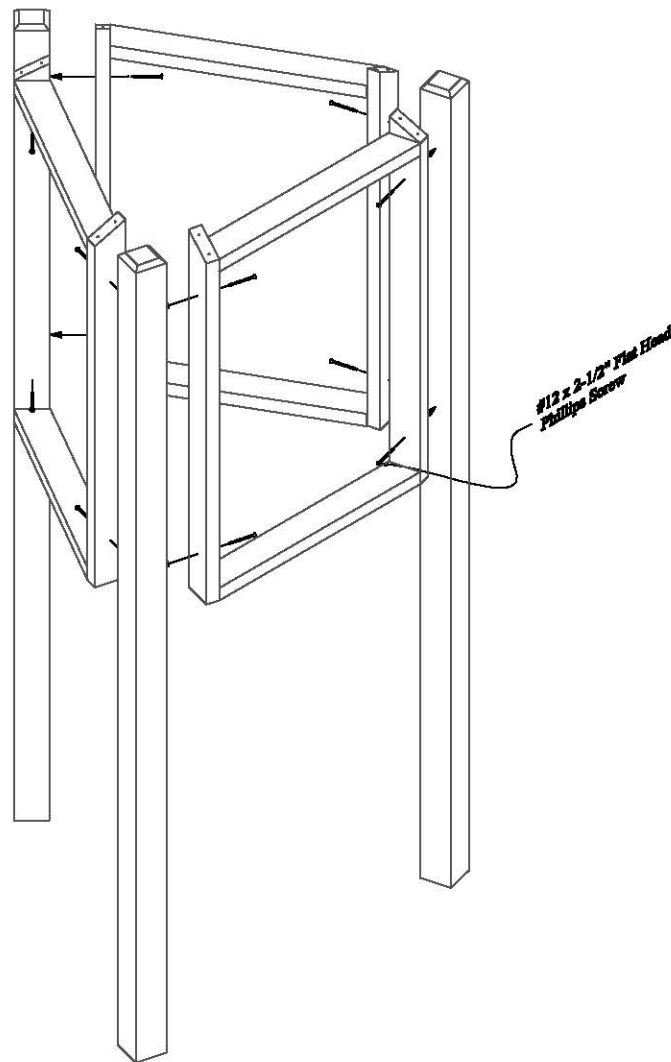
Before assembly, please make sure all fasteners are included.

36 - #12 x 2 1/2" Flat Head Phillips Screw



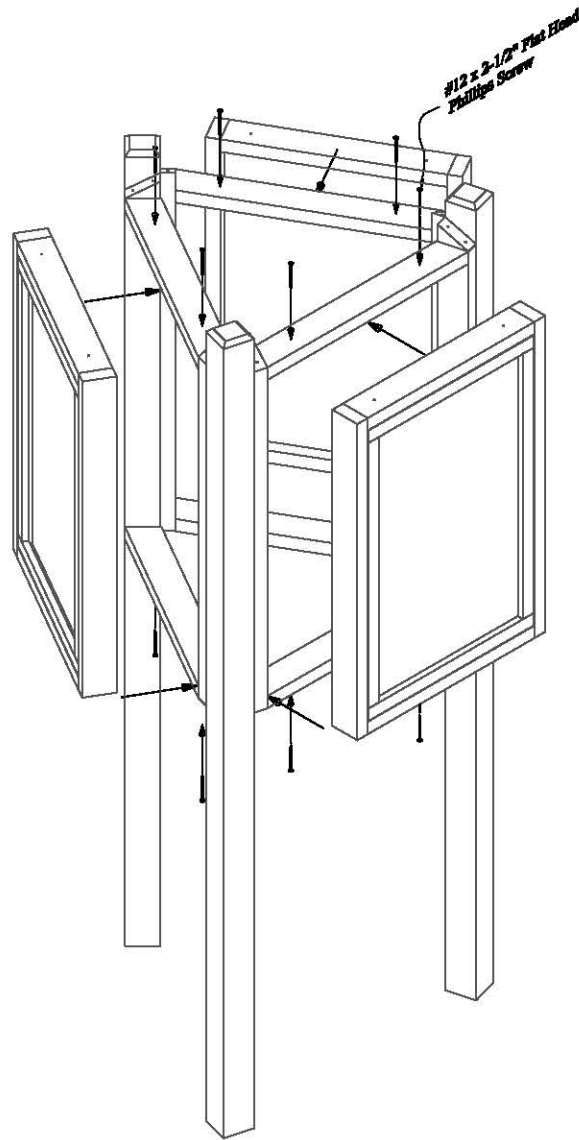
Also needed for this assembly will be the following materials:

1 - #3 Phillips Drive Bit



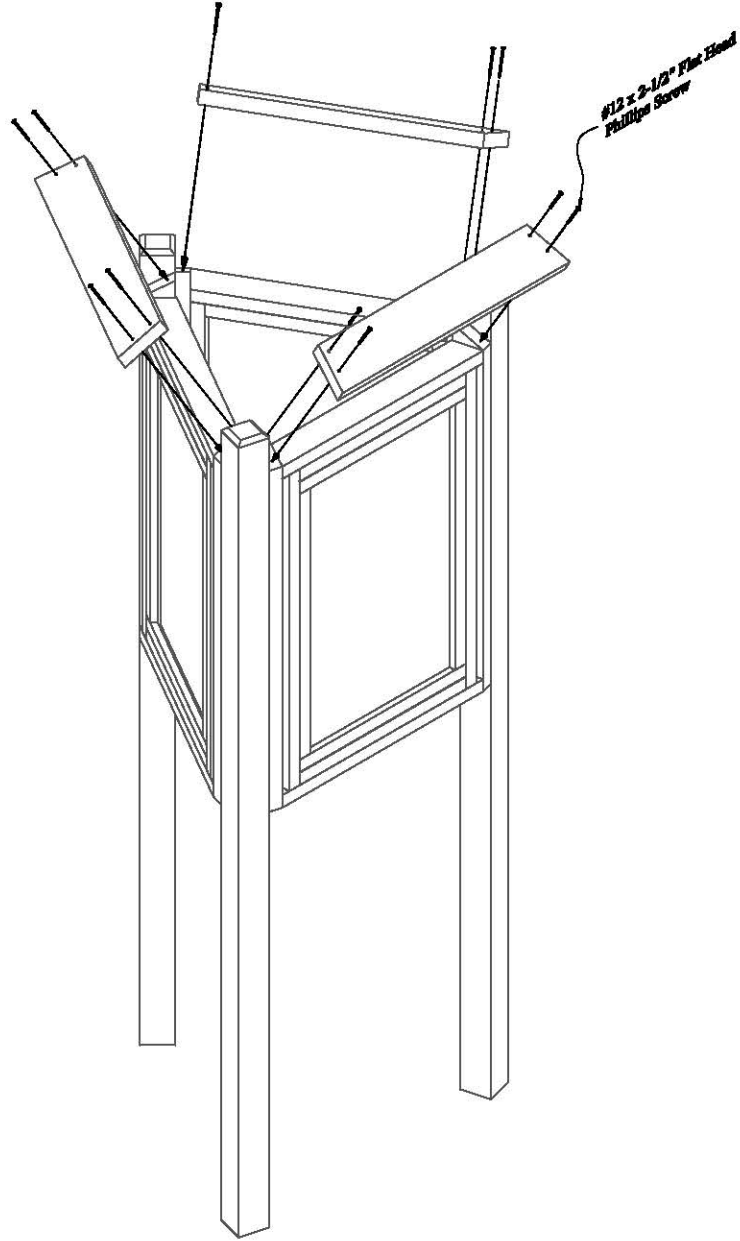
Step #1:

Align the pilot holes in the Posts with the pre drilled holes on the message center frame and fasten them together with (1) - one #12 x 2-1/2" Flat Head Screw per aligned hole.



Step #2:

Align the pilot holes in the message center with the pre drilled holes on the message center frame and fasten them together with (1) - one #12 x 2-1/2" Flat Head Screw per aligned hole.



Step #3:

Align the pre drilled holes in the Roof with the pilot holes on the assembled Message center and fasten them together with (1) - one #12 x 2-1/2" Flat Head Screw per aligned hole.