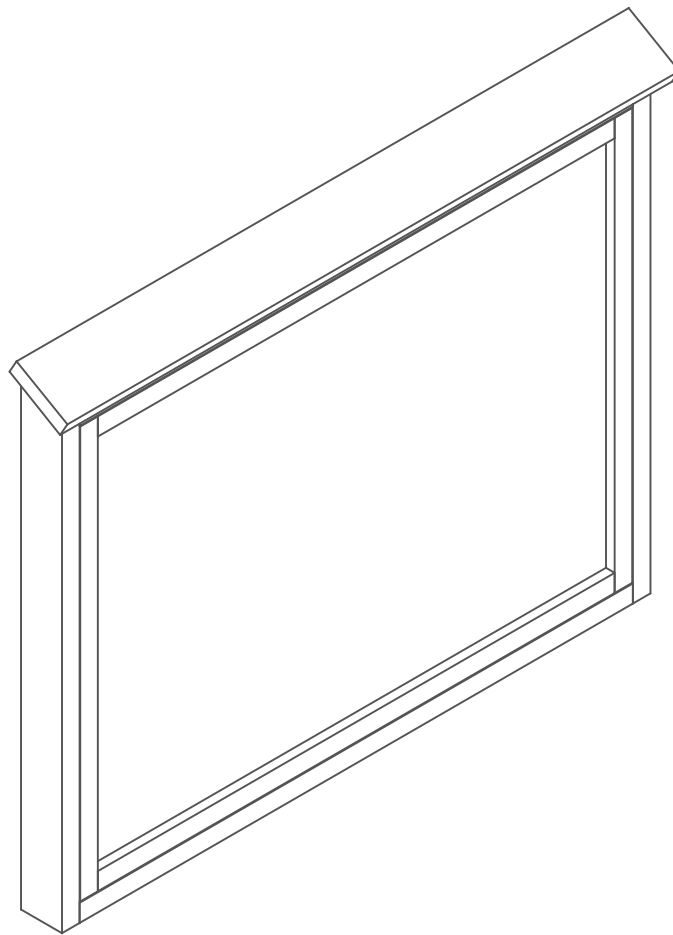
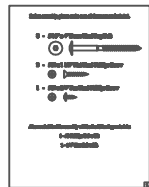


Large Message Center Wall Mount

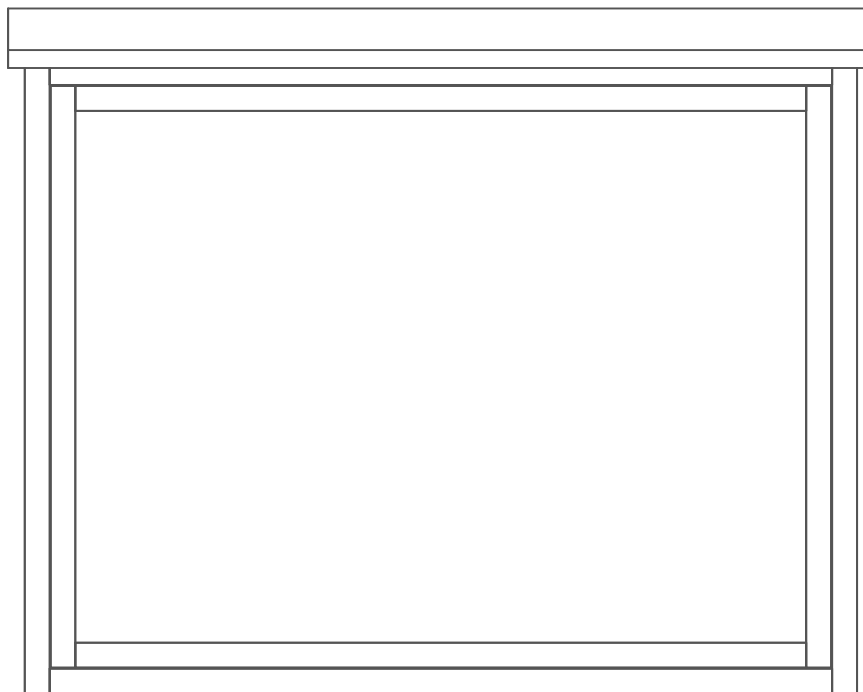
For Fastener Pack
(FP-LMC-1SOP-CU-01)



Before assembly, please make sure all components are included.



(1) - One Fastener Pack
FP-LMC-1SOP-CU-01



(1) - One Message Center
MSA-LMC-1SOP-01



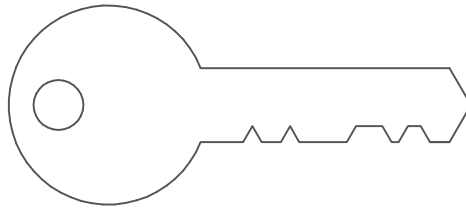
(1) - One Message Center Hanger
MP-LMP-H-01

Before assembly, please make sure all fasteners are included.

7 - #12 x 2" Flat Head Phillips Screw



2 - Lock Key

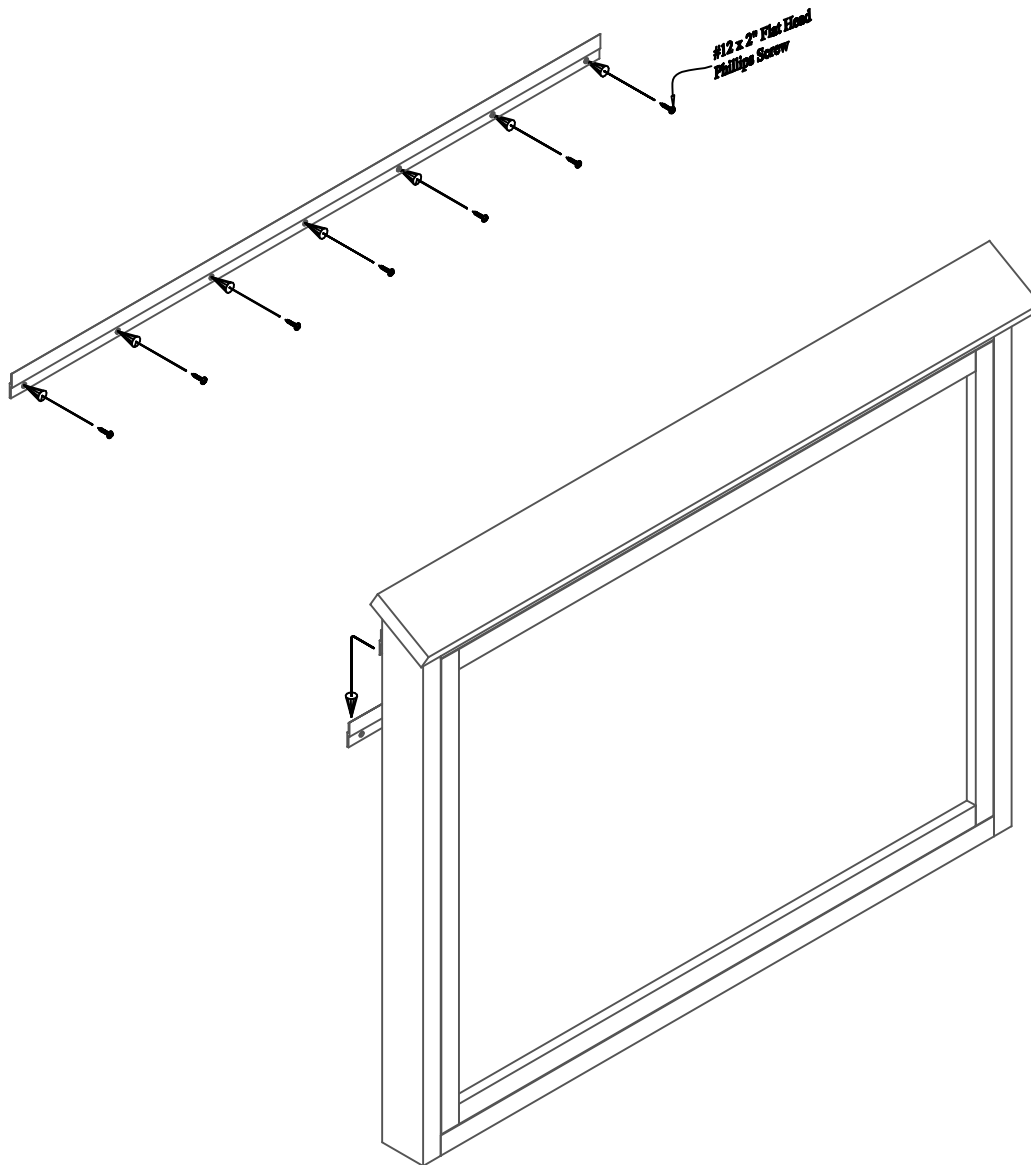


Also needed for this assembly will be the following materials:

1 - #3 Phillips Drive Bit

Step #1:

Mount the Message Center Hanger level with the tapered edge pointing up and away from the surface. Use the provided #12x2" flat head phillips screws or fasteners that you provide that are for the mounting surface.



Step #2:

Place Message Center above hanger flat against surface then slide down and inter lock the hangers.