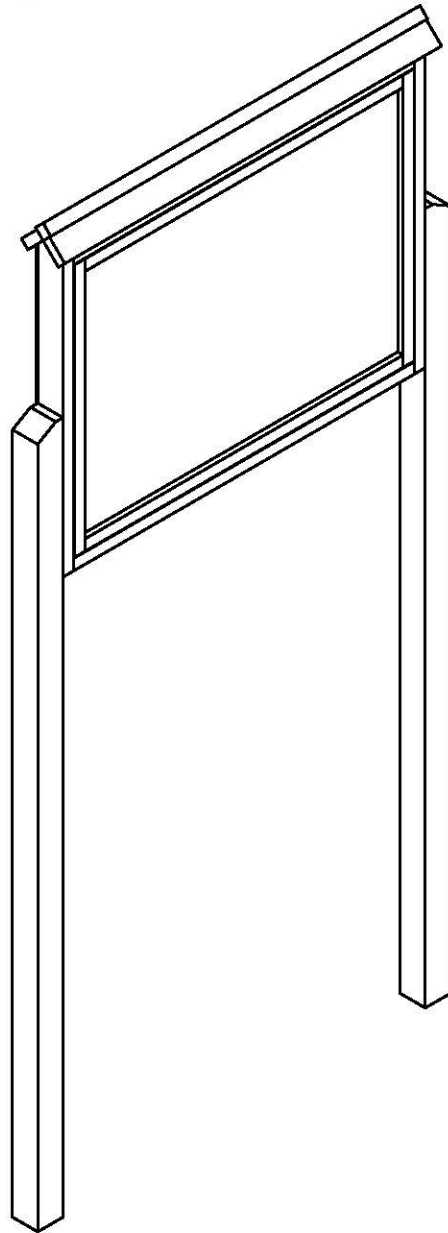
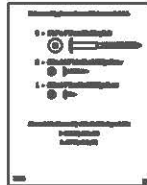


# Medium Message Center One Sided

For Fastener Pack  
(FP-MMC-1S2P-CU-01)



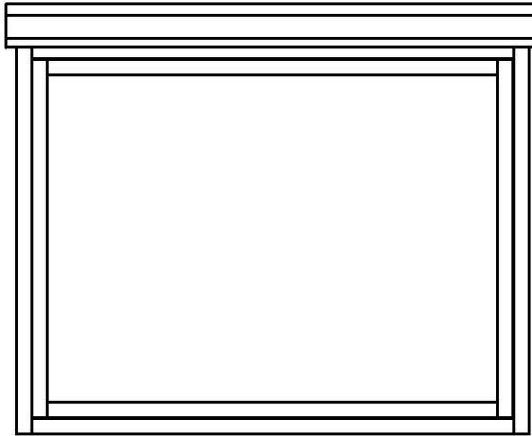
Before assembly, please make sure all components are included.



**(1) - One Fastener Pack  
FP-MMC-1S2P-CU-01**

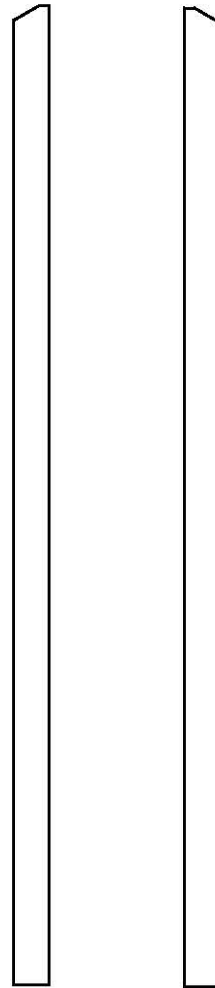
**FP - Fastener Pack**

**(1) - One - Message Center  
LMSA-MMC-1S2P-01**



**(A) - Message Center**

**(2) - Two - Side Post  
MP-MMP-A-01**

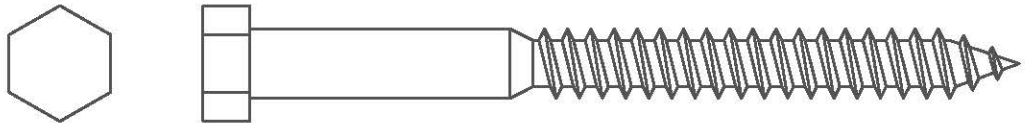


**(B) - SIDE POST**

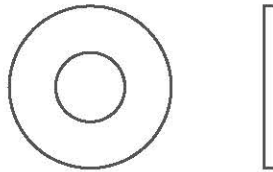
**(B) - SIDE POST**

**Before assembly, please make sure all fasteners are included.**

**4 - 3/8" x 4" Hex Head Lag Bolt**

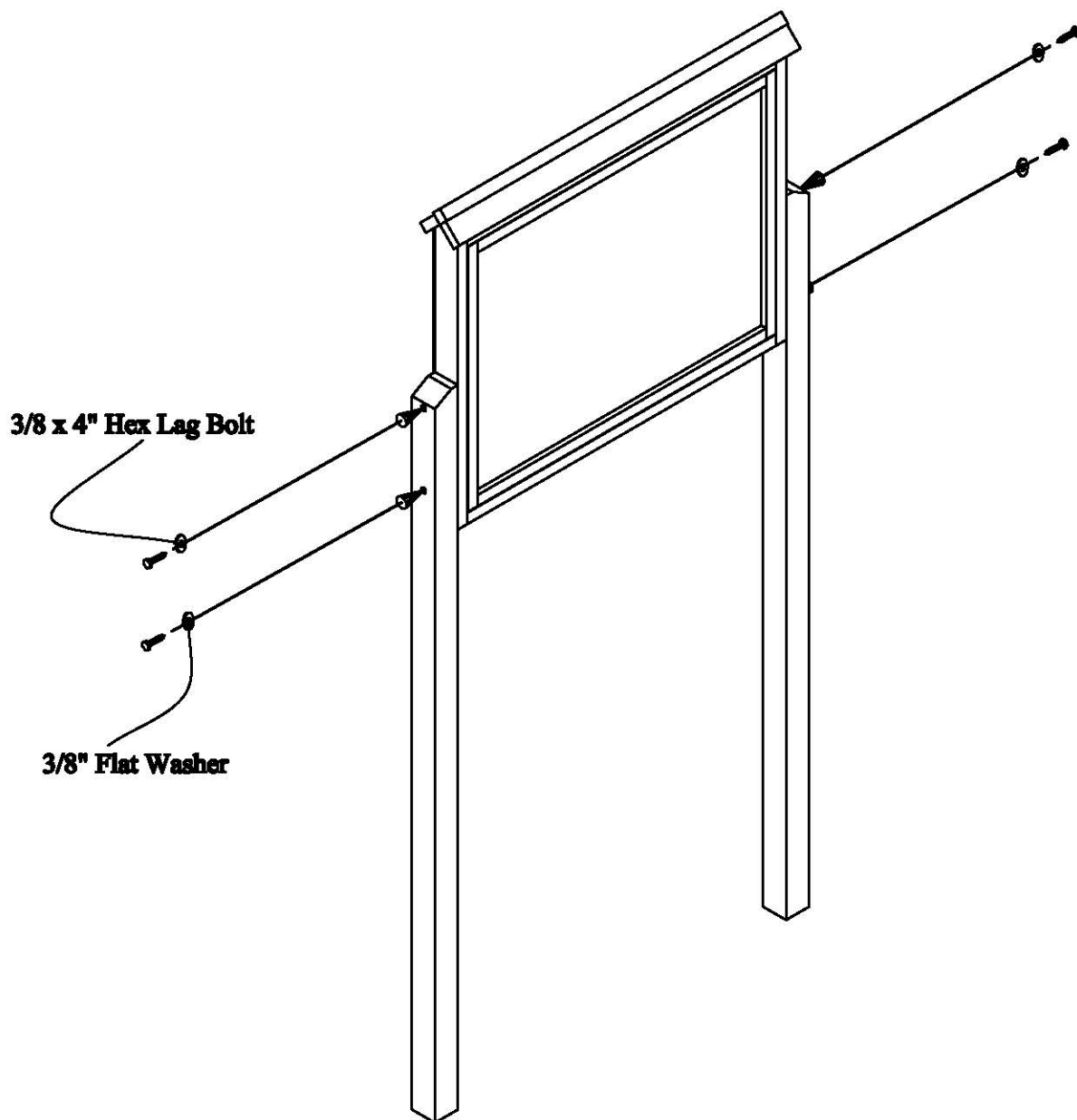


**4 - 3/8" Flat Washer**



**Also needed for this assembly will be the following materials:**

**1 - 9/16" Socket Wrench**



Align the pre drilled holes in the Posts with the pilot holes on the Message center and fasten them together with (1) - one 3/8" Flat Washer & (1) - one 3/8"x 4" Hex Lag Bolt per aligned hole.