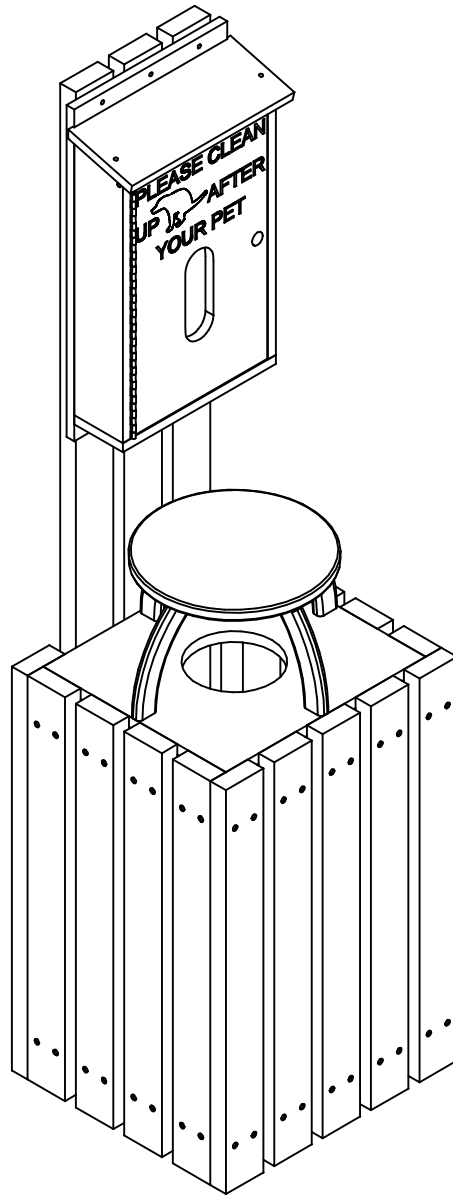


# Pet Waste Doggie Depot Receptacle w/Bag Dispenser

For Fastener Pack  
(FP-PWDDPT-CU-00)

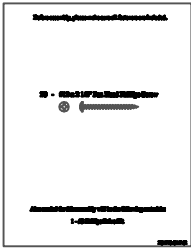


Congratulations !!

You have just purchased the finest recycled plastic  
Pet Waste Receptacle available. Enjoy !!!

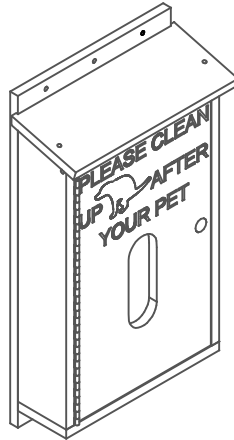
FS-PWDDPT-CAP-00

Before assembly, please make sure all components are included.

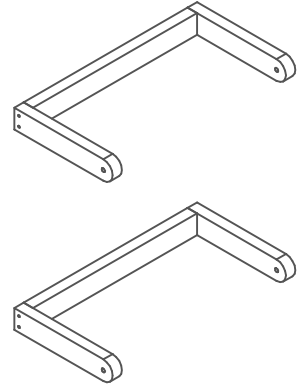


(1) - One Fastener Pack  
FP-PWDDPT-CU-00

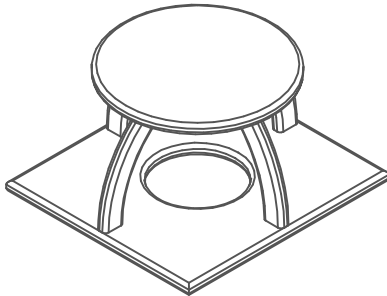
FP - Fastener Pack



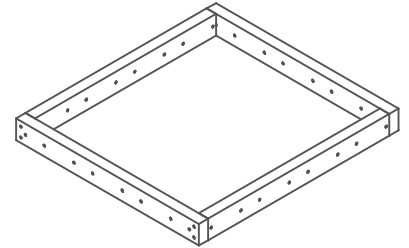
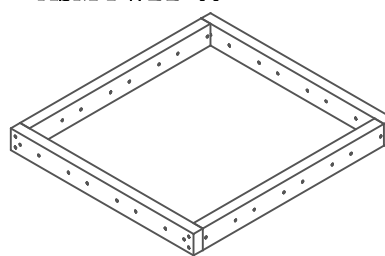
(1) - Pet Waste Bag Dispenser  
ASM-PWBD-00



(2) - Two Bag Holders  
TRSA-EMT22-B-01



(1) - Rain Cap  
TRSA-PWDDPT-A-00



Side Board w/ Pilot Holes	A
Side Board w/ Pilot Holes	A

(2) - Two Side Boards w/ Pilot Holes for Pet Waste Bag Dispenser  
TRP-PWDDPT-A-00

Side Board w/ Pilot Holes	B
---------------------------	---

(1) - One Side Board w/ Pilot Holes for Pet Waste Bag Dispenser and Bag Holder  
TRP-PWDDPT-A-00

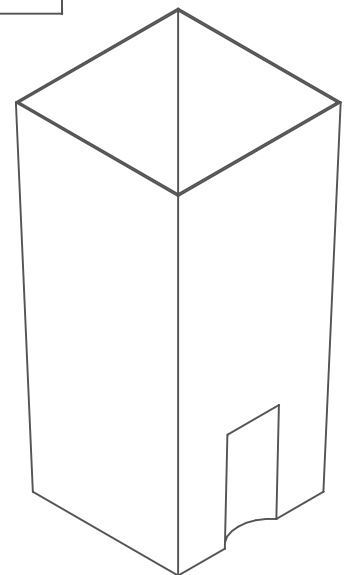
Side Board	C
Side Board	C
Side Board	C
Side Board	C
Side Board	C
Side Board	C
Side Board	C

Side Board	C
Side Board	C
Side Board	C
Side Board	C
Side Board	C
Side Board	C
Side Board	C

(14) - Fourteen Side Boards  
TRP-EMT22-A-01

Side Board w/ Pilot Holes	D
---------------------------	---

(1) - One Side Board w/ Pilot Holes for Bag Holder  
TRP-EMT22-B-01



(1) - Receptacle Liner  
S7867-00-159

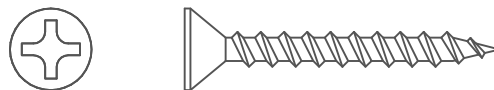
FS-PWDDPT-CAP-00

Before assembly, please make sure all fasteners are included.

72 - #12 x 1-3/4" Flat Head Phillips Screw



6 - #12 x 1-1/2" Flat Head Phillips Screw



4 - #12 x 1-1/2" Pan Head Phillips Screw



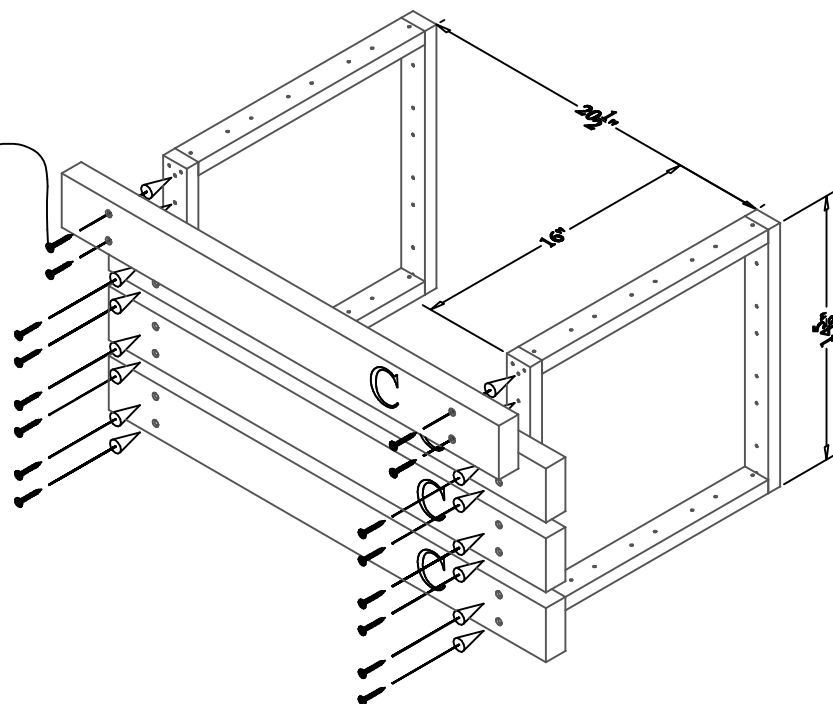
8 - 1/4" Flat Washer



Also needed for this assembly will be the following materials:

1 - #3 Phillips Drive Bit

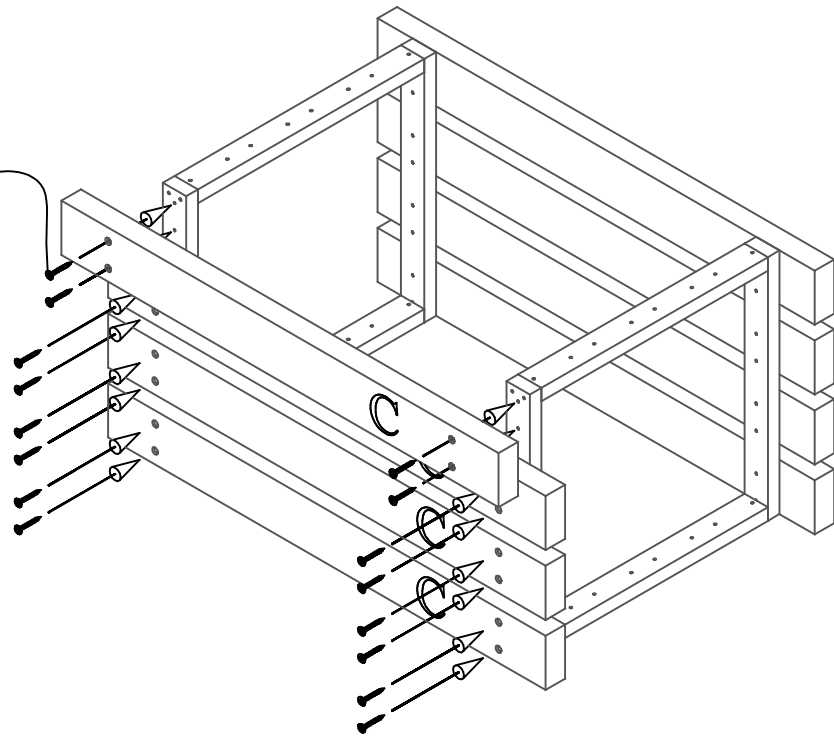
*#12 x 1-3/4" Flat Head  
Phillips Screw*



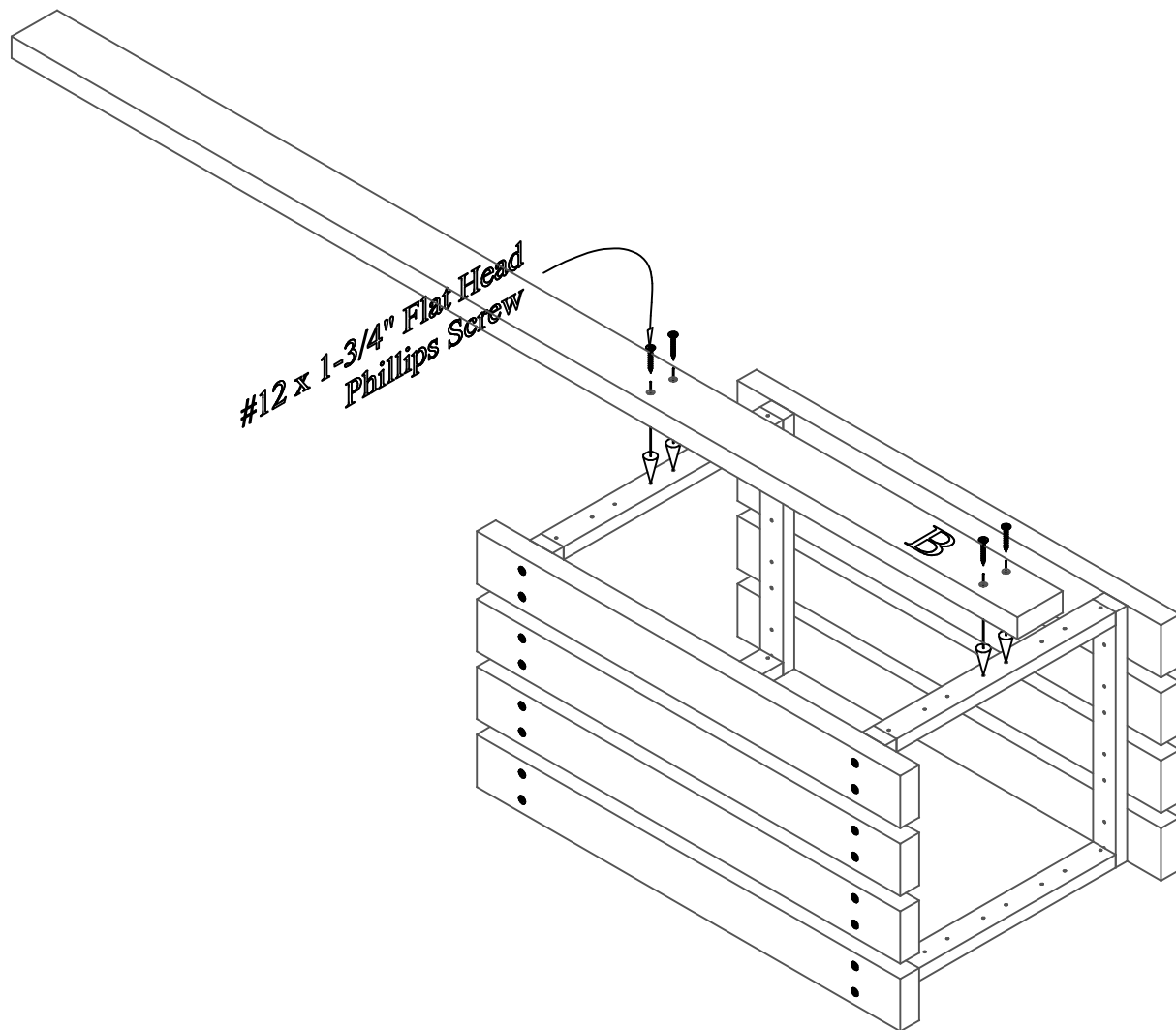
### Step #1:

Place the (2) two Frame Rings on edge with the LONG EDGE on a flat surface as shown in the diagram above. One at a time, place (4) four Side Boards (C) in position making sure the holes line up with the pre-drilled pilot holes in the Frame Rings. Fasten using (1) one #12 x 1-3/4" Flat Head Phillips Screw per hole.

*#12 x 1-3/4" Flat Head  
Phillips Screw*

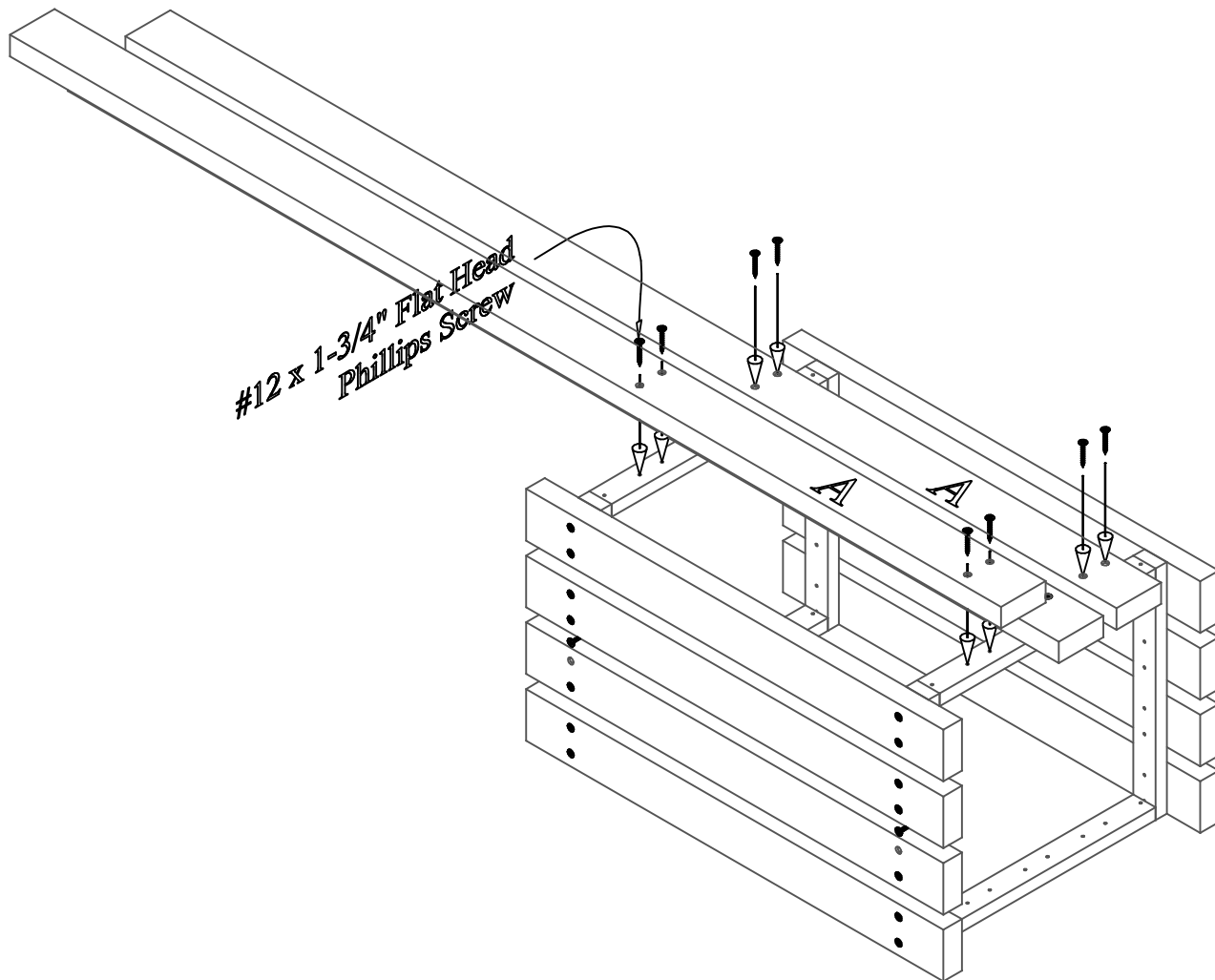


Step #2:  
Repeat Step #1 for the opposite side.



### Step #3:

Place (1) one Side Board w/ Pilot Holes for Pet Waste Bag Dispenser and Bag Holder (B) in the center position making sure the holes line up with the pre-drilled pilot holes in the Frame Rings. Fasten using (1) one #12 x 1-3/4\" Flat Head Phillips Screw per hole.

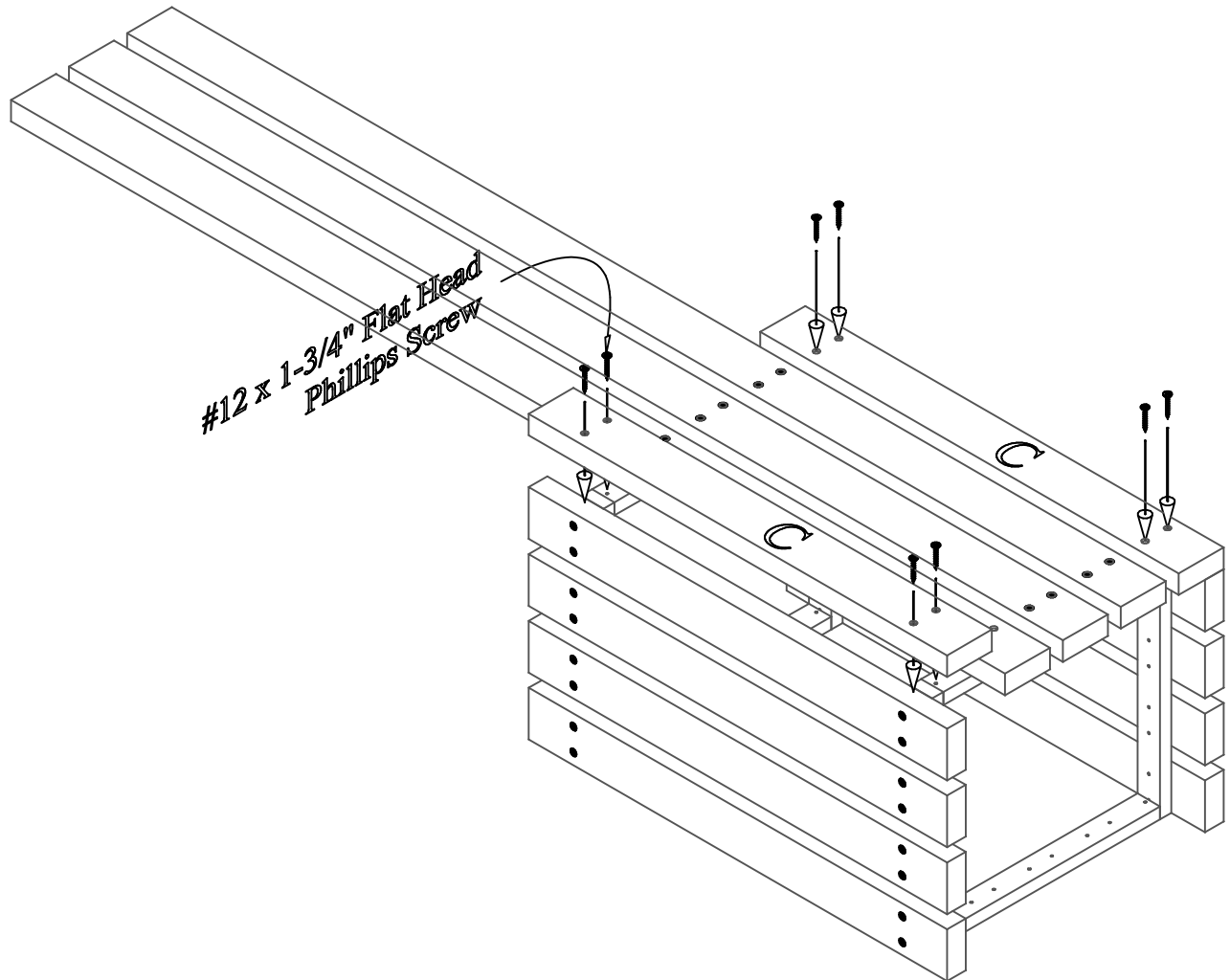


**Step #4:**

Place the (2) two Side Boards w/ Pilot Holes for Pet Waste Bag Dispenser (A), one on either side of the center board, making sure the holes line up with the pre-drilled pilot holes in the Frame Rings. Fasten using (1) one 1-3/4" Flat Head Phillips Screw per hole.

**Step #5:**

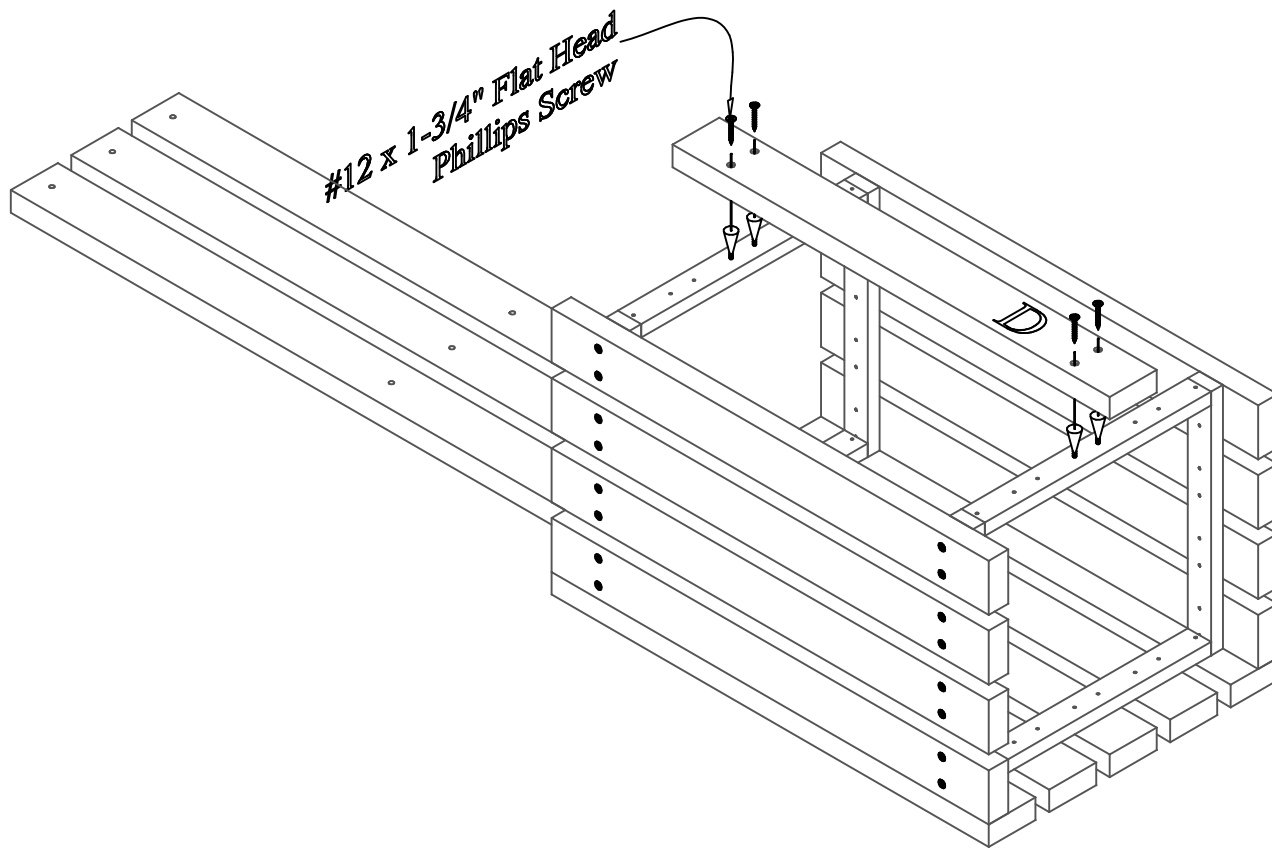
One at a time, place (2) two Side Boards (C) in position making sure the holes line up with the pre-drilled pilot holes in the Frame Rings (where applicable). Fasten using (1) one 1-3/4" Flat Head Phillips Screw per hole.





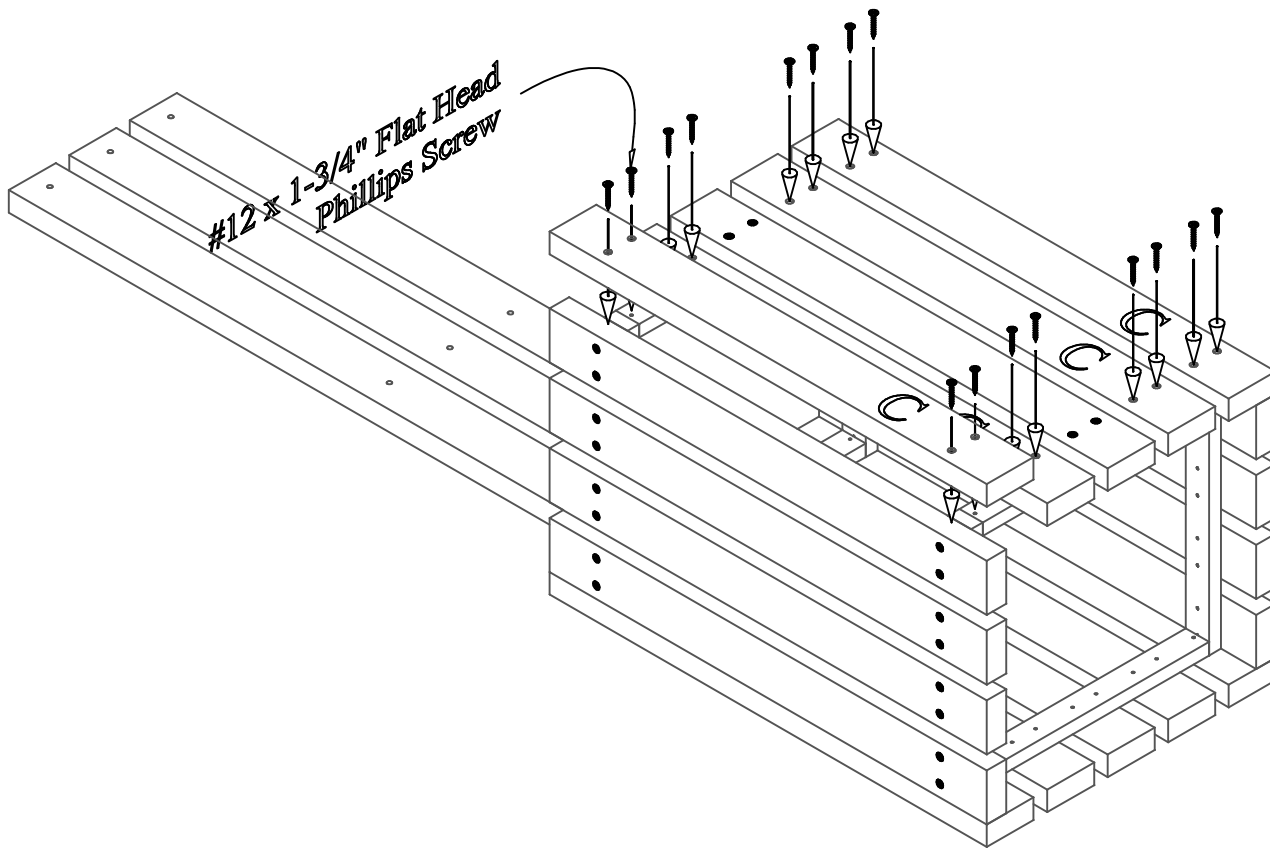
**Step #6:**

Place (1) one Side Board w/ Pilot Holes for Bag Holder (D) in the center position making sure the holes line up with the pre-drilled pilot holes in the Frame Rings. Fasten using (1) one #12 x 1-3/4" Flat Head Phillips Screw per hole.



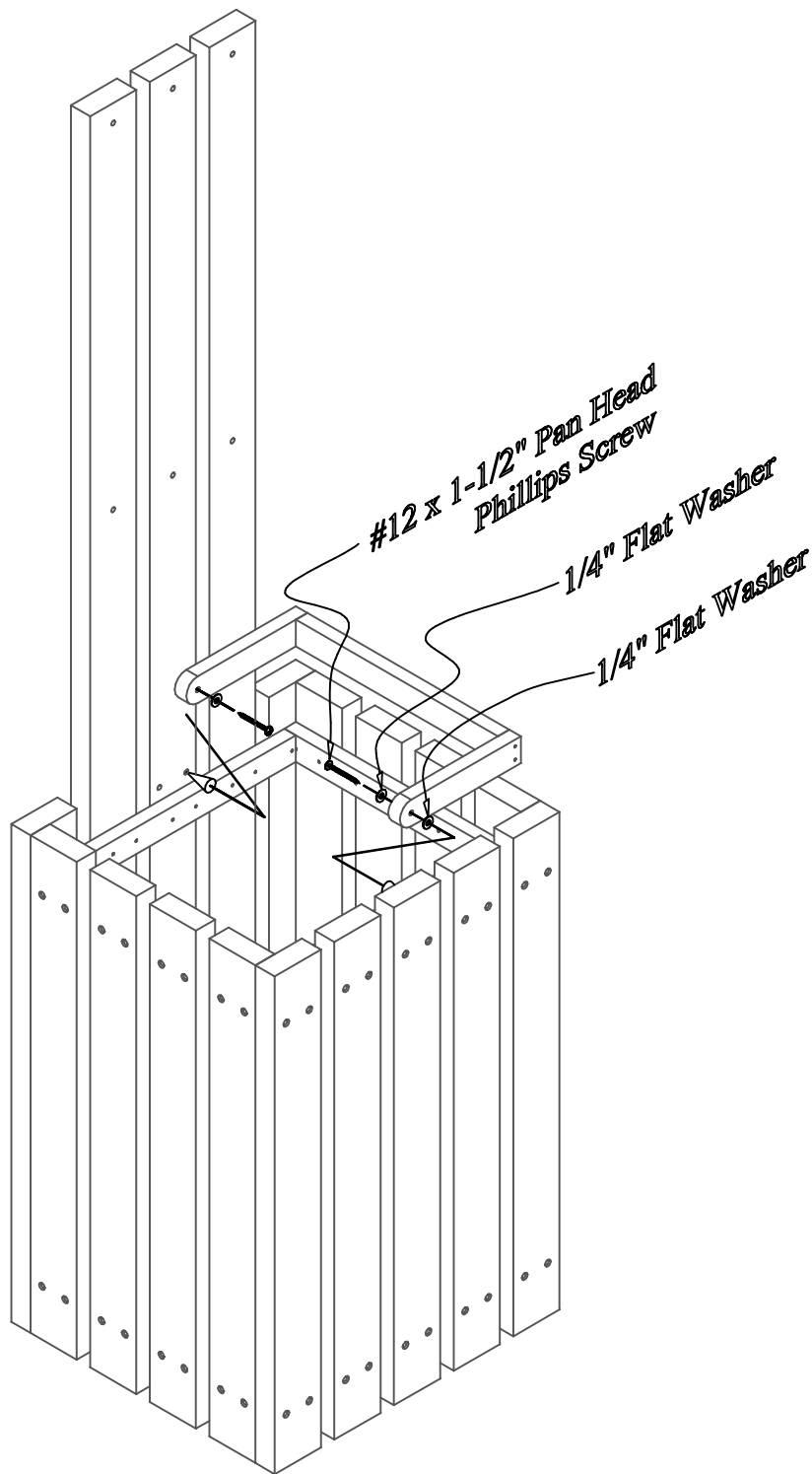
**Step #7:**

One at a time, place (4) four Side Boards in position making sure the holes line up with the pre-drilled pilot holes in the Frame Rings (where applicable). Fasten using (1) one 1-3/4" Flat Head Phillips Screw per hole.



**Step #8:**

Turn the trash receptacle upright onto its base. Please use caution while moving. At this point in assembly the receptacle will weigh approximately 75 pounds.

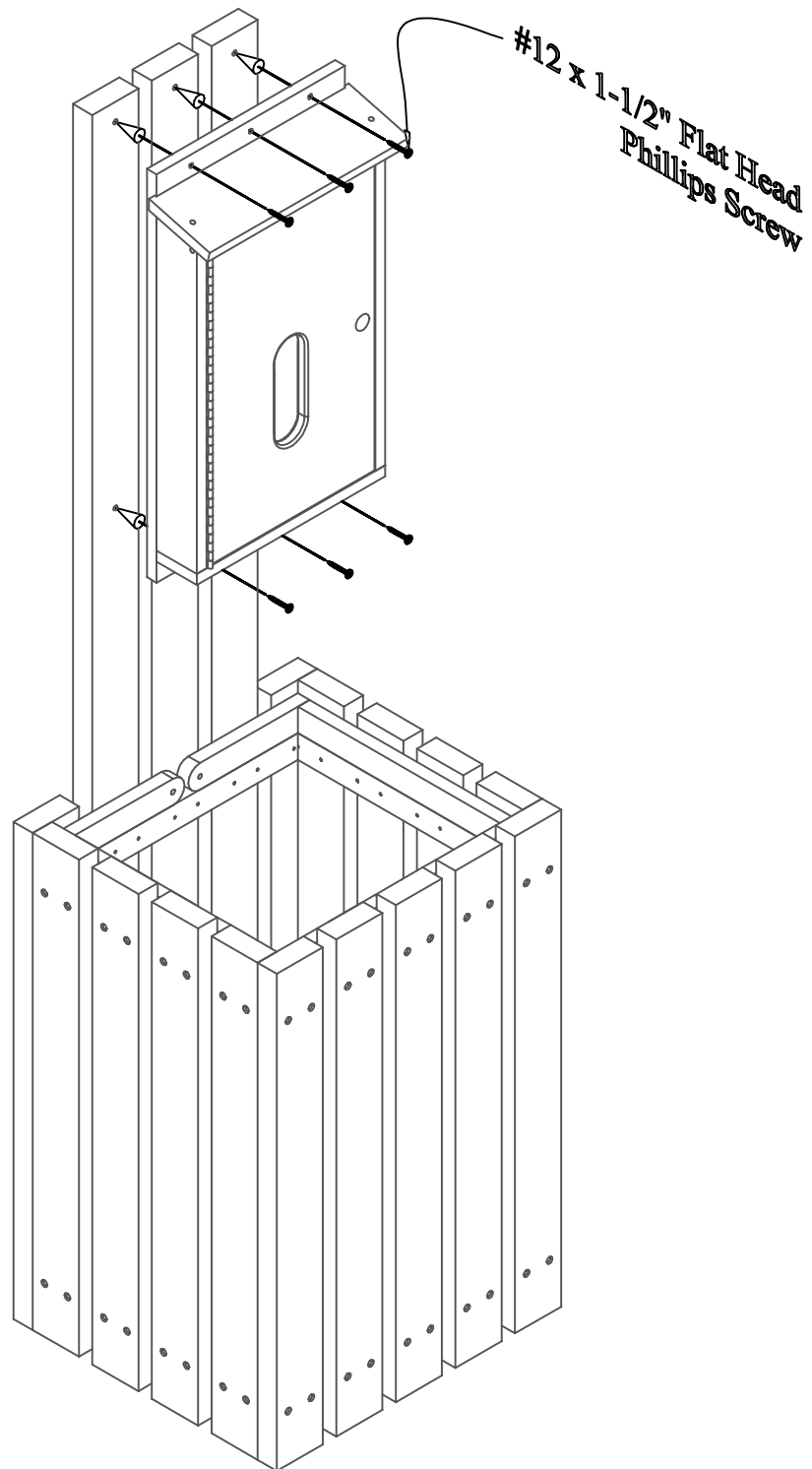


**Step #9:**

Place the Bag Holder in the trash receptacle, using (1) one 1/4" Flat Washer on each side of the pre-drilled holes, fasten with (1) one 1-1/2" Pan Head Phillips Screw in to each pre-drilled pilot holes in the Side Boards.

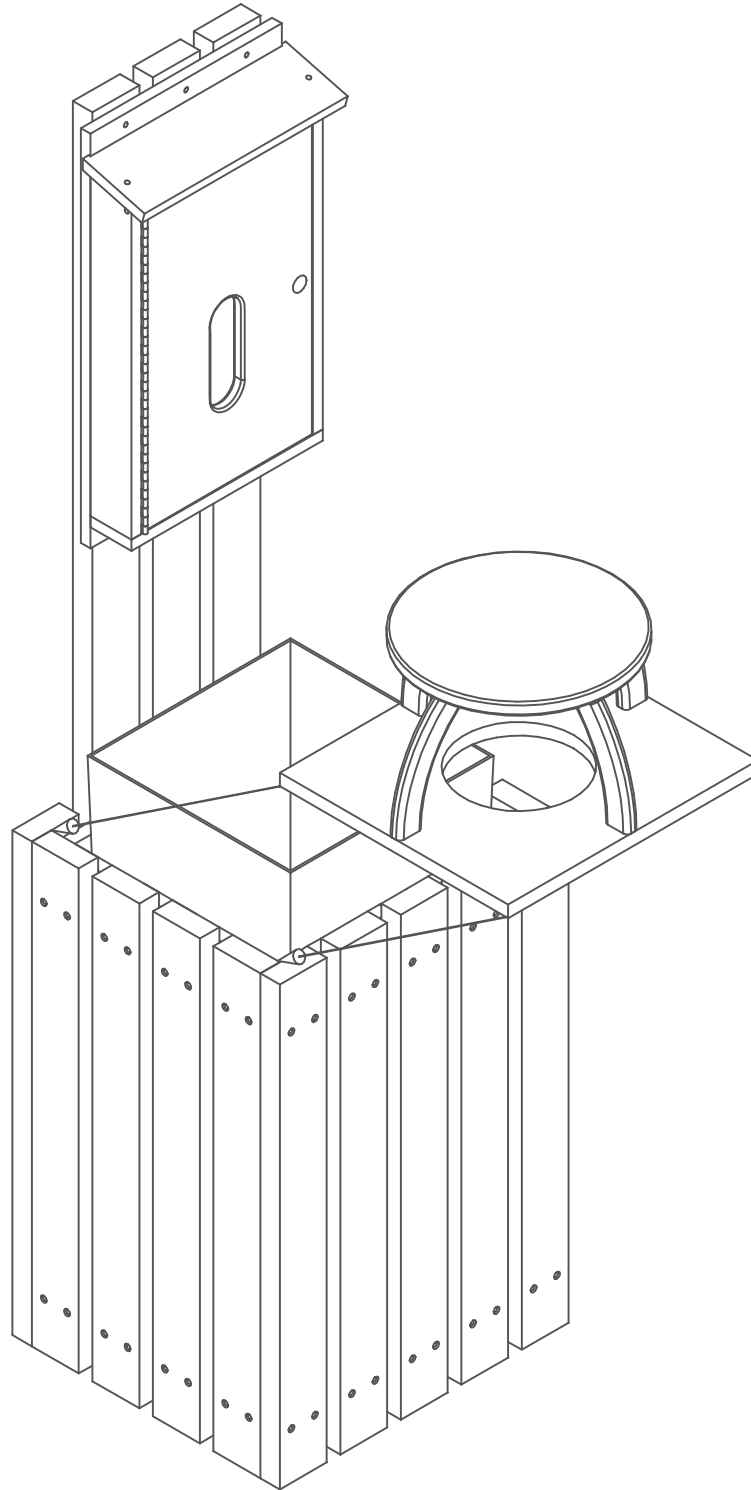
Step #10:

Repeat Step #9 for the opposite side.



Step #11:

Align the pre-drilled holes in the Pet Waste Bag Dispenser with the pilot holes in the two Side Boards w/ Pilot Holes for the Pet Waste Bag Dispenser. Fasten with (1) one #12 x 1-1/2" Flat Head Phillips Screw per aligned hole.



**Step #12:**

Slide the Receptacle Liner and the Rain Cap into place. To put the liner in the receptacle, slide it in through the top at a slight angle downwards. To place the Rain Cap on the receptacle, rest it on the inner ledge of the side walls.

DEAR VALUED CUSTOMER,

THANK YOU FOR PURCHASING THIS PRODUCT. THIS PRODUCT IS MANUFACTURED USING RECYCLED MATERIALS AND MAY HAVE SLIGHT COLOR VARIATIONS, OCCASIONAL SPECKS OF COLOR OR IRREGULAR SURFACE PATTERNS. THESE ARE NORMAL CONDITIONS OF RECYCLED PLASTICS AND MAKE EACH PIECE OF FURNITURE UNIQUE. THESE CHARACTERISTICS DO NOT AFFECT THE STRENGTH, QUALITY OR PERFORMANCE OF THE PRODUCT.

THANK YOU AGAIN FOR PURCHASING THIS PRODUCT AND HELPING OUR ENVIRONMENT.