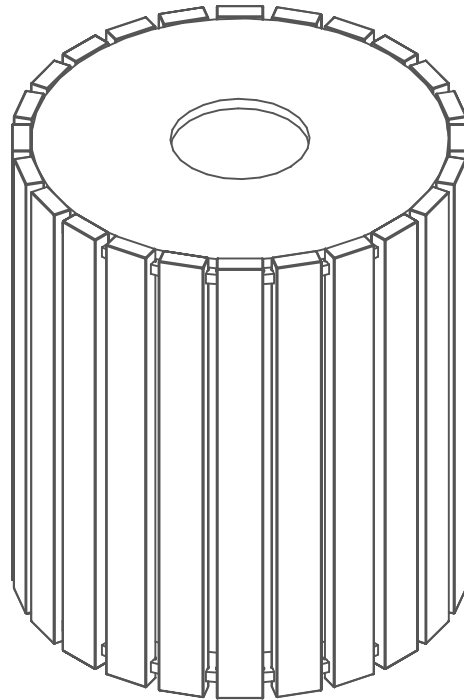


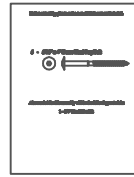
49 Gallon Recycle Center

For Fastener Pack
(FP-DR49-CU-01)

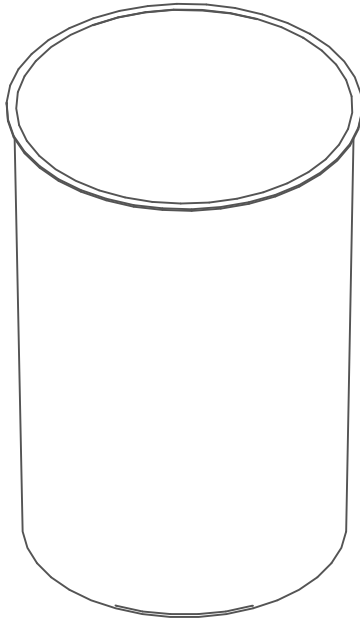


Congratulations ! !
You have just purchased the finest recycled plastic
recycle center available. Enjoy ! ! !

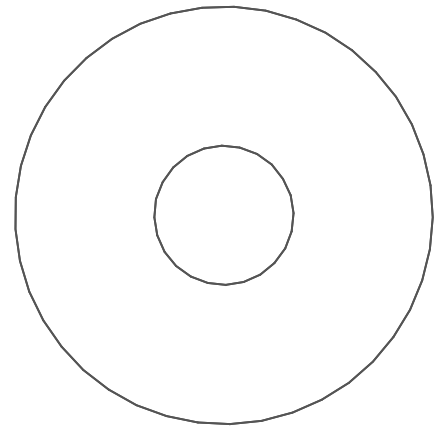
Before assembly, please make sure all components are included.



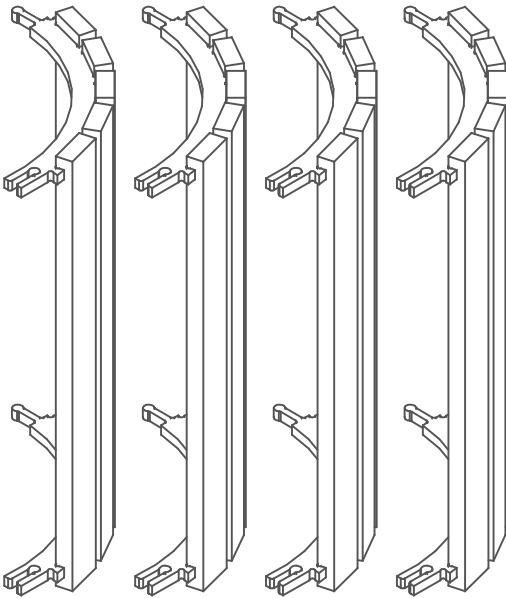
**(1) - One Fastener Pack
FP-R49-CU-01**



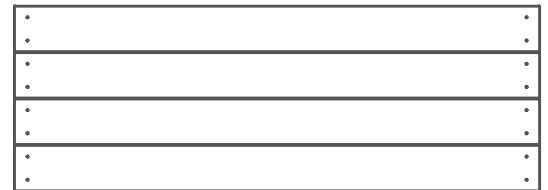
**(2) - Two 49 gal. Liner
S-7851**



**(2) - Two Circular Lids w/ lanyard
RT-R49-D-01**



**(6) - Six Quarter Panels
RTSA-R49-QP-01**



**(4) - Four Side Boards
RT-R49-G-01**



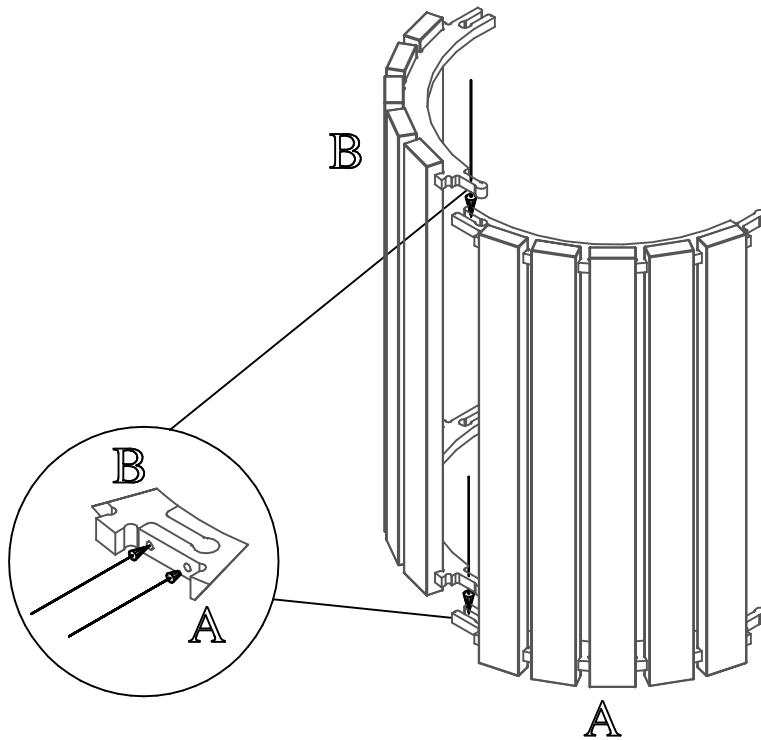
Before assembly, please make sure all fasteners are included.

16 - #12 x 2-1/2" Pan Head Phillips Screw

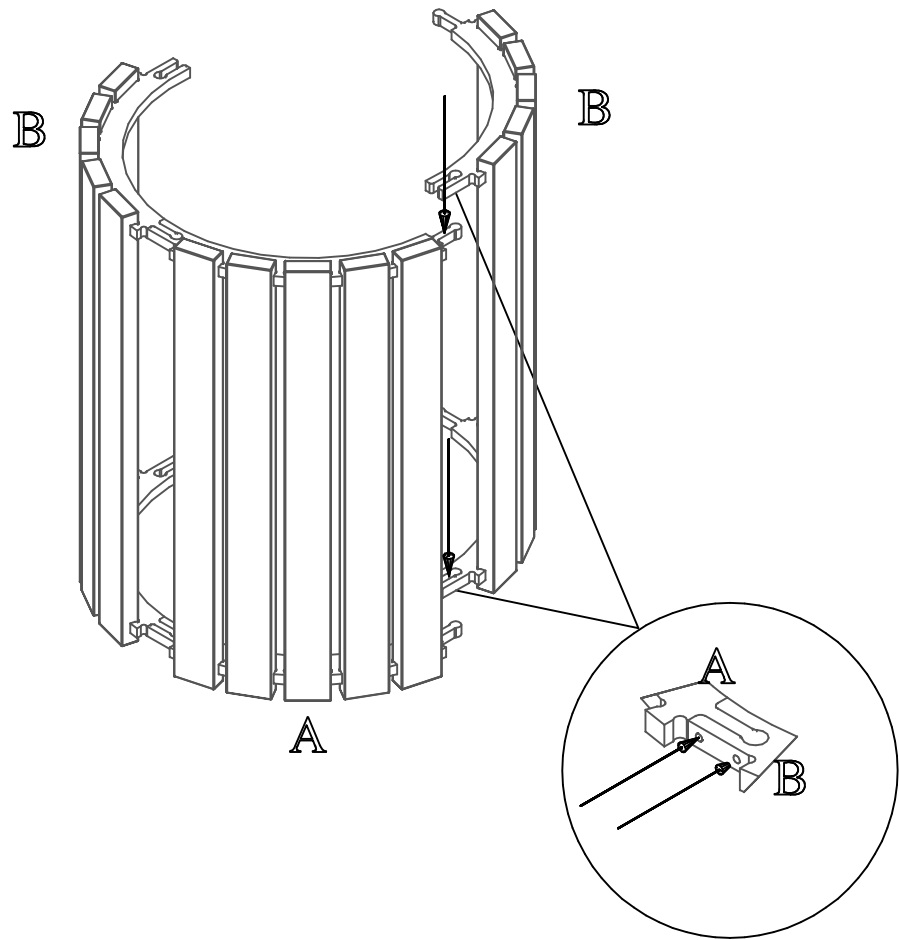


Also needed for this assembly will be the following materials:

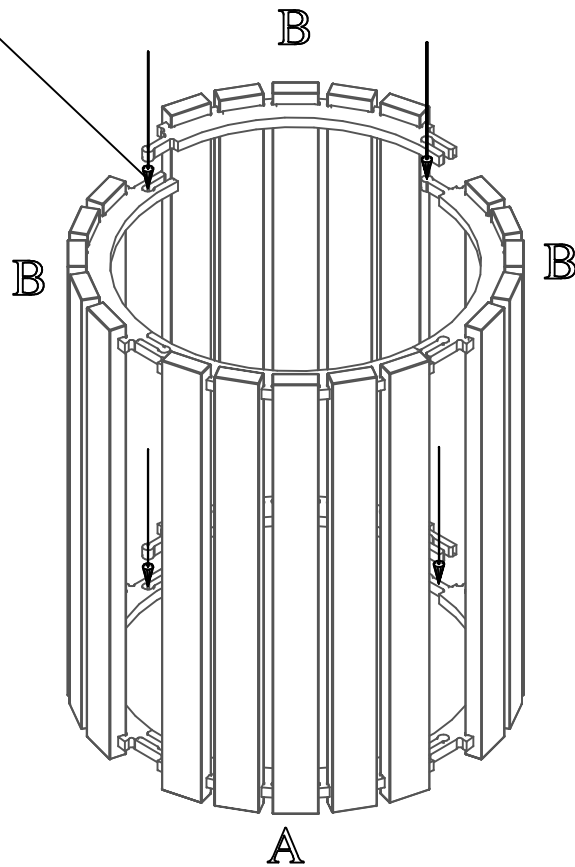
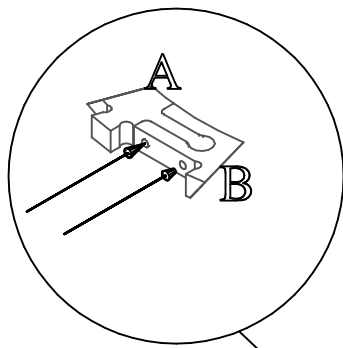
1 - #3 Phillips Drive Bit



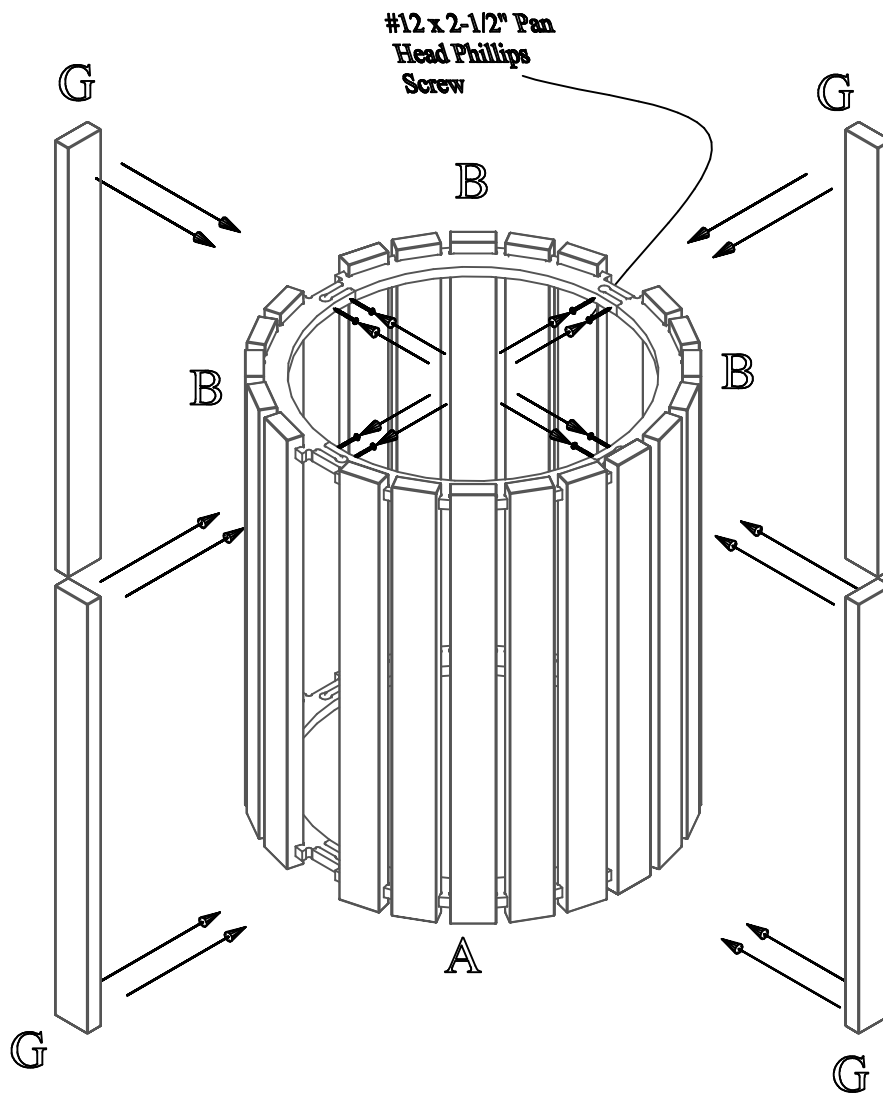
Step 1: Take Panel A and place it in the vertical position, align a Panel B in the vertical position making sure the rail aligns with the top and the bottom. Slide the rails in a downward motion until they are even. Make sure the holes in the rails are aligned.



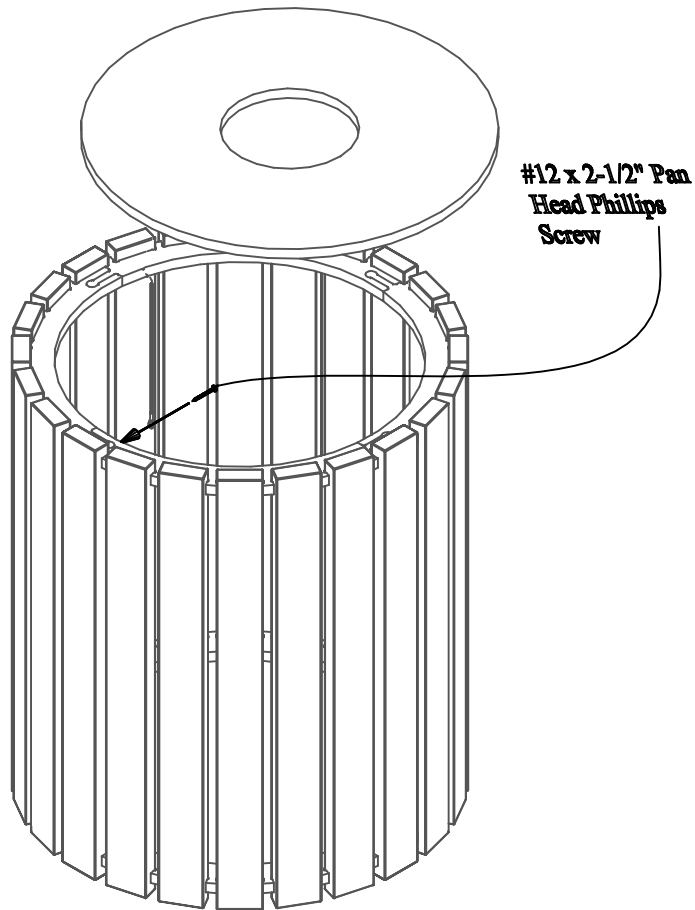
Step 2: Take Panel B place it in the vertical position, aligning it with the previous Panels. Slide the rail of panel in a downward motion and align the holes in the rail.



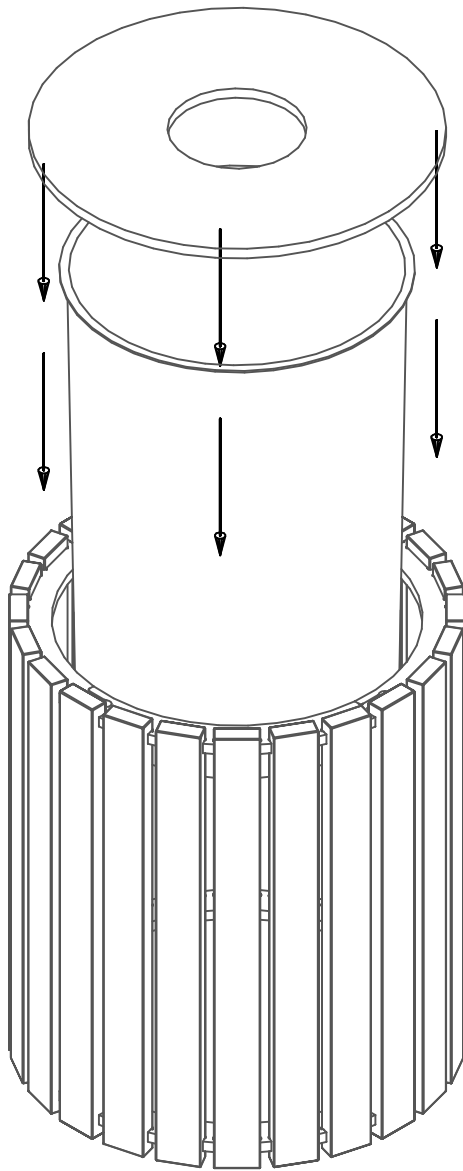
Step 3: Take Panel B place it in the vertical position, aligning it with the previous Panels. Slide the rail of the panel in a downward motion and align the holes in the rail.



Step 4: Place boards G in the alignment shown above with the top and bottom rails carefully aligning the holes in the rails with the pilot holes in board G. Once you have the holes aligned insert (1) - One #12 x 2-1/2" Pan Head Phillips Screw per hole. Make sure both screws are all the way in and tight on the top rail once you have gone all the way around the top rail flip the trash can up side-down-and repeat the previous steps to complete the bottom rail. (Note: Please be careful to not over tighten the screws.)



Step 5: Remove (1) - One #12 x 2-1/2" Pan Head Phillips Screw at desired location for lid lanyard location. Reinstall the screw to anchor the lanyard to the receptacle.



Step 6: Place the 49 gal. Trash liner in the vertical position and slide inside the outer ring. Place the Circular Lid on the top resting it on the top rail.