

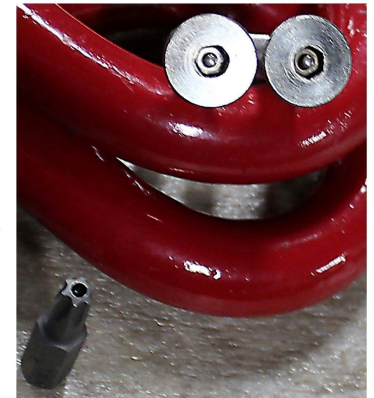
Now you can secure your bench or table wherever you want to place it with our new In-Ground Anchor Kit! This eliminates the need for a deck or concrete pad to deter theft or moving of your outdoor furnishing.



In-Ground Anchoring Kit

Includes:

- 2—15" long, 1/2" diameter steel auger brackets, with red powder coating
- 2—2" stainless steel washers
- 2—2" x 1/4" stainless steel screws with security keyed head
- 1—Security keyed screw bit included with each order.



(Photo enlarged to show detail of security screws & bit.)

Screw the auger portion into the ground, and use the provided security hardware (special bit included) to fasten the item to the anchor. Enjoy the natural beauty around you while keeping the location all natural with our new In-Ground Anchor Kit.



Proudly made in the USA



100% Recycled Product



15-yr Warranty



Eco-Friendly Products

WARRANTY: OCCOutdoors, Inc. warranty:15 Year limited warranty to be free of defects in workmanship or materials when installed and maintained properly. We agree to repair or replace, any items determined to be defective. Items specifically not covered by this warranty include vandalism, man-made or natural disasters, lack of maintenance, normal weathering or wear and tear due to public abuse.

NOTES:

1. INSTALLATION TO BE COMPLETED IN ACCORDANCE WITH MANUFACTURER'S SPECIFICATIONS.
2. ALL DIMENSIONS ARE CONSIDERED TRUE AND REFLECT MANUFACTURER'S SPECIFICATIONS
3. DO NOT SCALE DRAWING.

This document contains OCC Outdoors Proprietary Information. No intellectual copyright or license is granted by OCC Outdoors in connection with it. It is delivered on the express condition that the document and the information contained in it shall be treated as confidential, shall not be used for and purpose other than that for which it is hereby delivered (the use and maintenance of the product supplied). It shall not be disclosed in whole or part to third parties and shall not be duplicated in any manner without OCC Outdoors's prior approval.

OCC Outdoors Products

PH: 1-800-821-7670

EMAIL - occontact@occoutdoors.com

Fax: 1-317-862-9422

Part #: IG-ANK

Date: 5/12/17

In-ground anchor kit for ASM-WB Park Benches

IG-ANK Installation Instructions

Note: Image views have been altered to show detail

Step 1:

Make sure all hardware is included:

QTY: Description

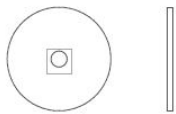
1 - 1/4" T-25 Torx Security Bit



2 - #14 x 2" Flat Head 6 Lobe Screw



2 - 5/16" Flat Washer w/2" Outer Diameter



2 - 15" Screw-In Earth Anchors



The following materials will also be needed for the installation:

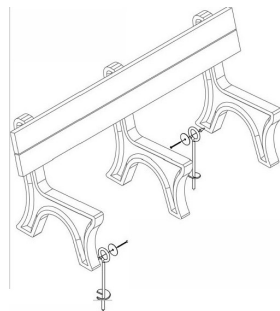
1. Metal or Solid Wood Rod/Dowel about 1/2" to 1" in Diameter and at least 12" in Length.
2. Cordless Drill
3. 1/8" Drill Bit
4. 1/4" Bit Holder

Step 2:

After your Bench is Completely assembled, place the bench in the location where it is to be installed

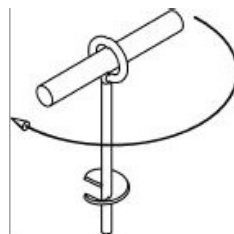
Step 3:

With the bench in place, find the center of the inside portion of the legs to be attached to the anchors. Mark a hole in the ground about 1/2" away from the legs. this is where you need to screw in the earth Anchors.



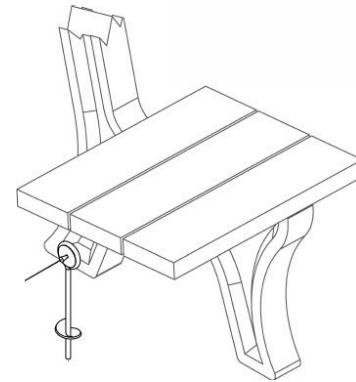
Step 4:

Move the bench out of the way and screw in the 15" Earth Anchors clockwise using the rod or the dowel for added leverage. Make sure to spin the anchors so that the "eye" is parallel with the leg.



Step 5:

With the ground anchors in place, use the washers to mark the bench legs for pilot holes lined up with the center of the "eye" on the anchors. Drill in the location of the marks using the 1/8" drill bit about 3/8" deep.



Step 6:

Line up the #14 x 2" Flat Head 6 Lobe Screw, 5/16" Flat Washer w/2" OD and Screw-In Earth Anchor with the holes just drilled and secure using the provided 1/4" Bit Holder and the T-25 Torx Security Bit.

