



4' Main Street Memorial Park Bench Features

- Ergonomically Designed Park Bench with vertical steel slats and a powder coat finish
- All-steel heavy duty construction:
 - Sturdy 1/8" thick x 2" wide galvaneal slats are securely welded to a 1" schedule 40 pipe at the top & bottom of the seat. Legs are constructed of 1 1/4" x 14 gauge steel tubing.
- Fully assembled
- Pre drilled mounting holes in feet (Anchoring hardware included)
- Mounted on skids to insure trouble-free shipping
- Bench is 48" long X 34" high x 24" deep x 17" seat height
- Optional Center Anti-Vagrant Arm Rest is Available
- Weight: 65 pounds
- Our durable Super TGIC powder coat paint Zinc Advantage system

Zinc Advantage Process Details:

Zinc rich primer & Super TGIC powder coat Finishing operations.

- 1. Sand blasts each unit down to shiny metal.
- 2. Clean and hand inspects each unit.
- 3. Powder coat with 70 % zinc rich epoxy resin primer.
- 4. Partially bake the primmer.
- 5. Powder coat with SUPER TGIC Polyester finish coat.
- 6. Final bake, creating a molecular bond between the steel, primer and finish coat.
- 7. Each part is tested by a Xylene test to insure a complete cure.

- **See Page 2 for Plaque Details**

Advantages:

1. A very tough durable finish with 5 times the fade resistance of standard TGIC powder coatings with a 3H pencil hardness. (All test conducted in South Florida.)
2. If scratched through to the metal, the zinc rich primer greatly reduce rust and the potential for the migration of rust.
3. This system is cured and each unit test for cure so many types of paint used for graffiti can be clean with mild solvents.

Our paint manufacturer's Zinc rich primer TGIC Polyester out lasts all major competitors on the 4000 hour salt spray test per ASTM B117. Detailed reports available by request.

Anchor Kit Options:

Standard anchor kit included with bench
 Tamper resistant kit Option @ extra cost.

Bench Colors: OCC offers hundreds of color including the standard RAL colors, Architectural series and custom mixed colors. Please contact us with you color requirements. For more details please go to: www.occoutdoors.com/blog/understanding-nonstandard-colors-cost.

Standard RAL Colors

Black (RAL 9005)	Bronze (C33)
Green (RAL 6005)	Blue (RAL (5012)
Silver Gray (70049)	Burgandy (RAL 3004)

OCCOutdoors, Inc. Warranty: 20 Years Structural and one year paint when installed and maintained properly. We agree to repair or replace, any items determined to be defective. Items specifically not covered by this warranty include vandalism, man-made or natural disasters, lack of maintenance, normal weathering or wear and tear due to public abuse.

- NOTES:
1. INSTALLATION TO BE COMPLETED IN ACCORDANCE WITH MANUFACTURER'S SPECIFICATIONS.
 2. ALL DIMENSIONS APE CONSIDERED TRUE AND PEFLECT MANUFACTUPEP'S SPECIFICATIONS
 3. DO NOT SCALE DRAWING.

This document contains OCC Outdoors Proprietary Information. No intellectual copyright or license is granted by OCC Outdoors in connection with it. It is delivered on the express condition that the document and the information contained in it shall be treated as confidential, shall not be used for and purpose other than that for which it is hereby delivered (the use and maintenance of the product supplied). It shall not be disclosed in whole or part to third parties and shall not be duplicated in any manner without OCC Outdoors's prior approval.

OCCOutdoors Products

PH: 1-800-821-7670
 EMAIL - occcontact@occoutdoors.com
 Fax: 1-317-862-9422

4 Foot Main Street Memorial Park Bench

Part #: MEMBEN-V-4

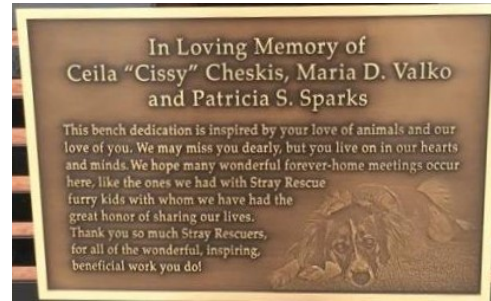
Date: 6/18/2020

Standard Plaque is a 1/4" x 4" x 10" Bronze plaque with up to 4 lines of text. Please note as the number of words increases the text size decreases, no more than 25 words typically looks the best. Larger plaques are available, please contact us for details.

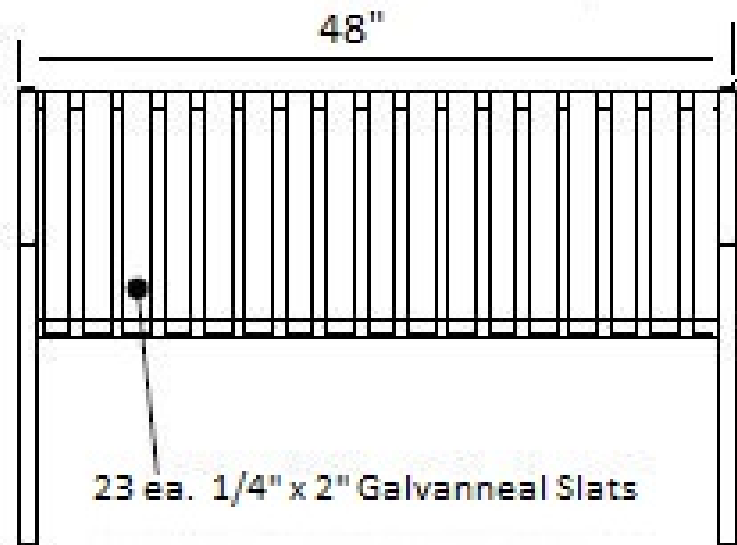
Standard Plaque Sample



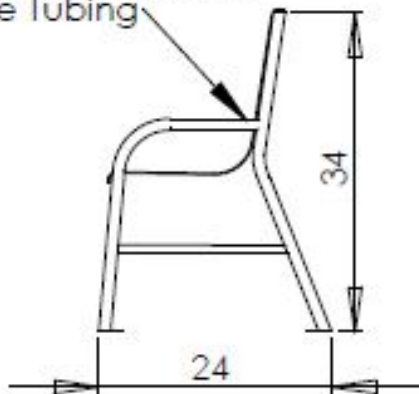
Large Plaque Sample



4' Main Street Park Bench Dimensions



1.25 Inch x 14 Gauge Square Tubing



Overall Weight = 85 Lbs.

Material Description

- Slats = 1/8" x 2.0" Edged Galvanneal
- Legs = 1.25" x 14 GA Steel Tube
- Connector Brace = 1" Sch 40 Pipe
- Leg Brace = 1" x 14 GA Steel Tube
- Anchor Plate = 1.25 x 3/16" flat Steel
- Cap = 1 x 1/8" Square
- Seat Support = 1/2" x 1/2" x 1/8" Angle

The Main Street product line has several matching trash receptacles, benches, ash urns and more