

Parts

Dimensions

Included Hardware



5/16" x 1" Machine Bolt



5/16" Washer

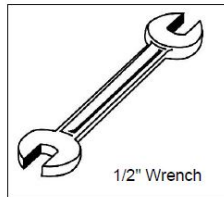


5/16" Kep Nut

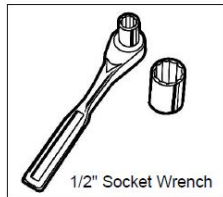
Parts List

ITEM NO.	PartNo	DESCRIPTION	QTY
1	T-P60-T	10' Punched Table Top	2
2	T-P60-S	10' Punched Seat (1/2)	4
3	P-V238	238 Vinyl Frame	3
4	33-02-0007	5/16" Flat Washer (SS)	62
5	33-05-0029	5/16" x 1" Machine Bolt (SS)	31
6	33-03-0012	5/16" Kep Nut (SS)	31
7	P-01-04-0125	29 7/8" Brace	3
8	P-01-04-0219	32 3/4" Brace	1

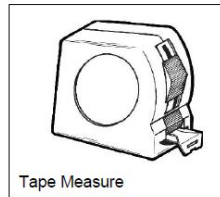
Tools Required



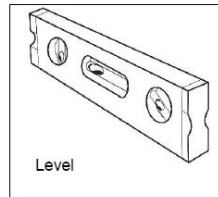
1/2" Wrench



1/2" Socket Wrench



Tape Measure



Level

Optional Hardware (Not included): 5/16" x 5" Concrete Expansion Anchor Bolts

WARRANTY: OCCOutdoors, Inc. guarantees all items for one full year to be free of defects in workmanship or materials when installed and maintained properly. We agree to repair or replace, any items determined to be defective. Items specifically not covered by this warranty include vandalism, manmade or natural disasters, lack of maintenance, normal weathering or wear and tear due to public abuse.

NOTES:

1. INSTALLATION TO BE COMPLETED IN ACCORDANCE WITH MANUFACTURER'S SPECIFICATIONS.
2. ALL DIMENSIONS ARE CONSIDERED TRUE AND REFLECT MANUFACTURER'S SPECIFICATIONS
3. DO NOT SCALE DRAWING.

This document contains OCC Outdoors Proprietary Information. No intellectual copyright or license is granted by OCC Outdoors in connection with it. It is delivered on the express condition that the document and the information contained in it shall be treated as confidential, shall not be used for and purpose other than that for which it is hereby delivered (the use and maintenance of the product supplied). It shall not be disclosed in whole or part to third parties and shall not be duplicated in any manner without OCC Outdoors's prior approval.

OCC Outdoors Products

PH: 1-800-821-7670

EMAIL - occcontact@occoutdoors.com

Fax: 1-317-862-9422

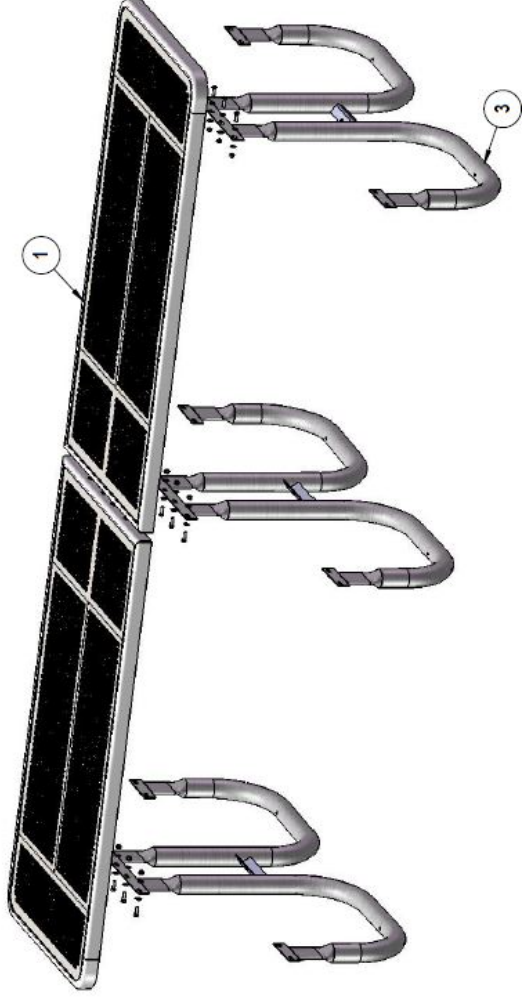
Part #: OCC-238-3-P10

Date: 6/27/17

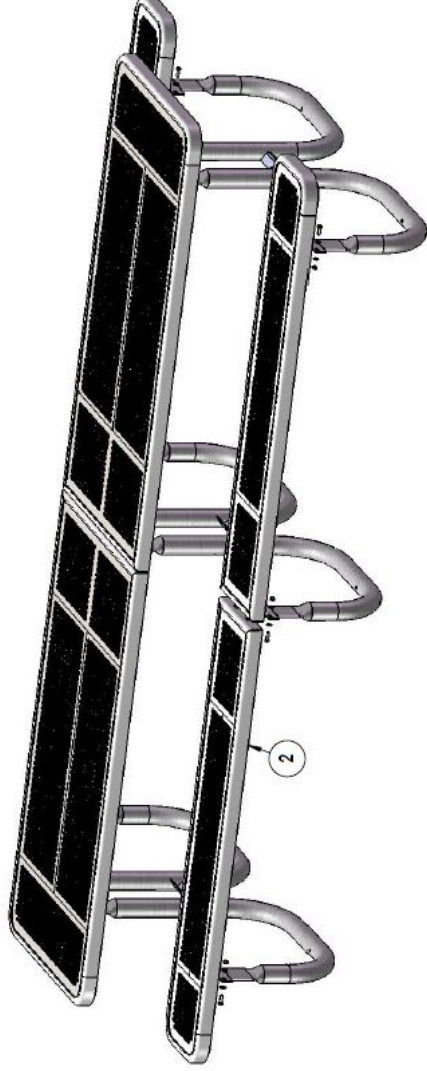
10" Extra Heavy Duty Shelter Table with Thermoplastic Coated Perforated Pattern Legs (3) and Seats (2) and Powder Coated Frame.

Assembly Instructions

Step 1: Attach the Tops to the 238 Legs using the specified hardware.



Step 2: Attach the Seats to the 238 Legs using specified hardware.



Step 3: Attach the Braces to the 238 Legs using specified hardware

