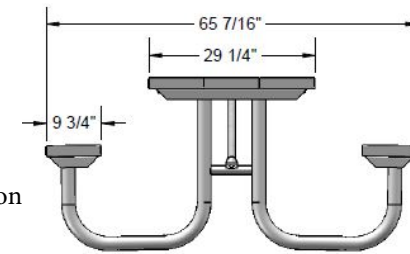
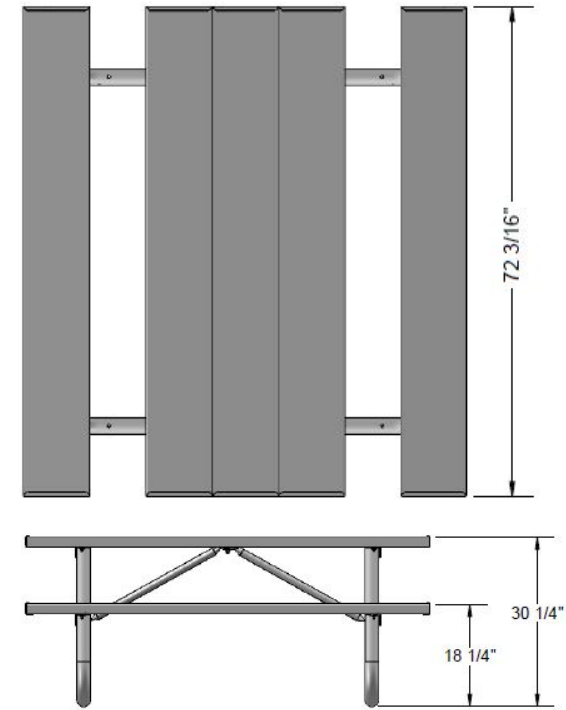
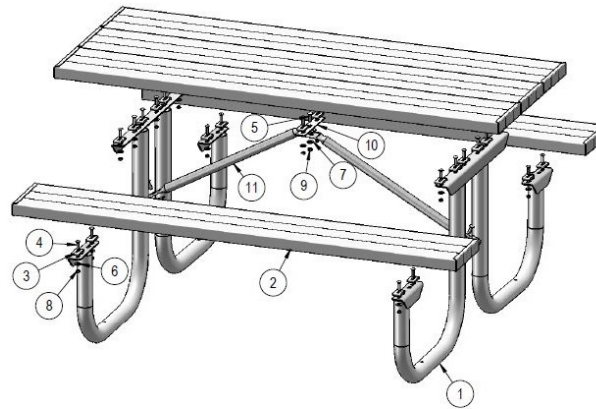
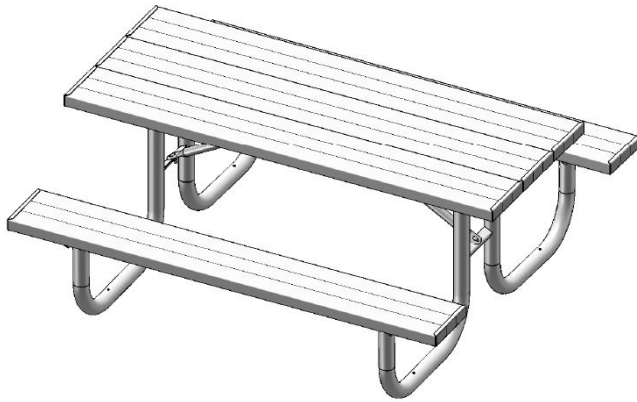
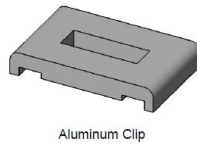
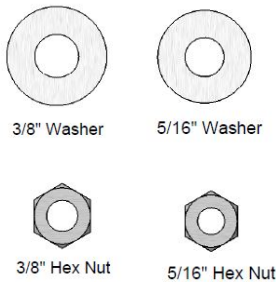
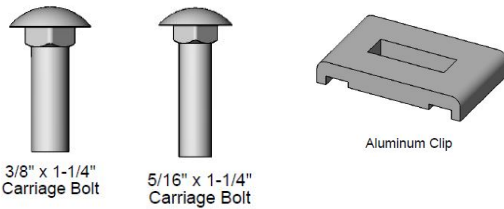


Parts

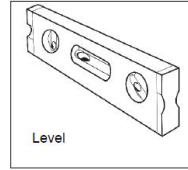
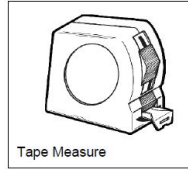
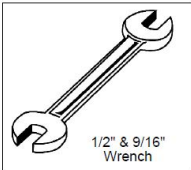
Dimensions



Hardware Included



Tools Required



ITEM NO.	PartNo	DESCRIPTION	QTY
1	P-W238 or G-W238	W238_frame-asm	2
2	AA72-C	6' Alum Plank w/ endcap	5
3	22-01-0062	Alum. Planking Clip	22
4	33-06-0001	5/16" x 1-1/4" Carriage Bolt (Zinc)	22
5	33-06-0032	3/8" x 1-1/4" Carriage Bolt (Zinc)	3
6	33-02-0001	5/16" Zinc Plated Washer	22
7	33-02-0002	3/8" Zinc Plated Washer	3
8	33-01-0001	5/16" Hex Nut (Zinc)	22
9	33-01-0002	3/8" Hex Nut (Zinc)	3
10	01-04-0093	158/238 Aluminum Table Center Attachment	1
11	01-04-0165	6" Wood Brace	2

Optional Surface Mount Hardware:
5/16" x 5-1/2"
Concrete Expansion Anchor Bolts Not Included

WARRANTY: OCCOutdoors, Inc. guarantees all items for one full year to be free of defects in workmanship or materials when installed and maintained properly. We agree to repair or replace, any items determined to be defective. Items specifically not covered by this warranty include vandalism, manmade or natural disasters, lack of maintenance, normal weathering or wear and tear due to public abuse.

- NOTES:
 1. INSTALLATION TO BE COMPLETED IN ACCORDANCE WITH MANUFACTURER'S SPECIFICATIONS.
 2. ALL DIMENSIONS ARE CONSIDERED TRUE AND REFLECT MANUFACTURER'S SPECIFICATIONS
 3. DO NOT SCALE DRAWING.

OCC Outdoors Products
 PH: 1-800-821-7670
 EMAIL - occcontact@occoutdoors.com
 Fax: 1-317-862-9422

Part #: OCC-238-A6

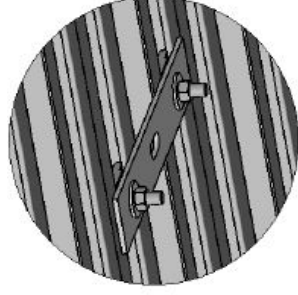
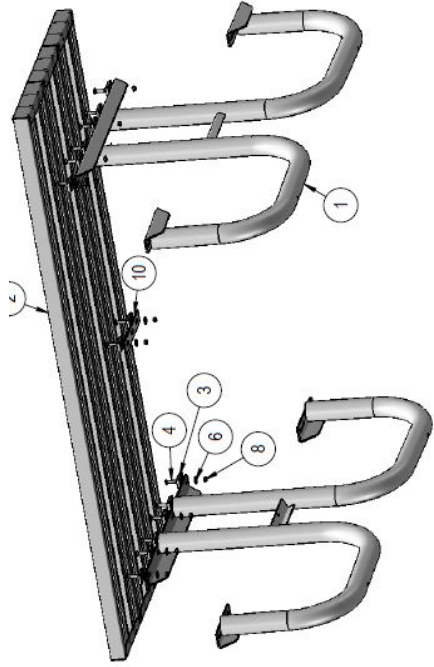
Date: 2/09/16 Page 1 of 2

OCC-238-A6 Extra Heavy Duty
 Portable/Surface Mount 6' Picnic Table with Walk Through Design.
 Top & Seats are Aluminum Planking, Frame Powder Coated Steel Tubing

This document contains OCC Outdoors Proprietary Information. No intellectual copyright or license is granted by OCC Outdoors in connection with it. It is delivered on the express condition that the document and the information contained in it shall be treated as confidential, shall not be used for and purpose other than that for which it is hereby delivered (the use and maintenance of the product supplied). It shall not be disclosed in whole or part to third parties and shall not be duplicated in any manner without OCC Outdoors's prior approval.

Assembly Instructions:

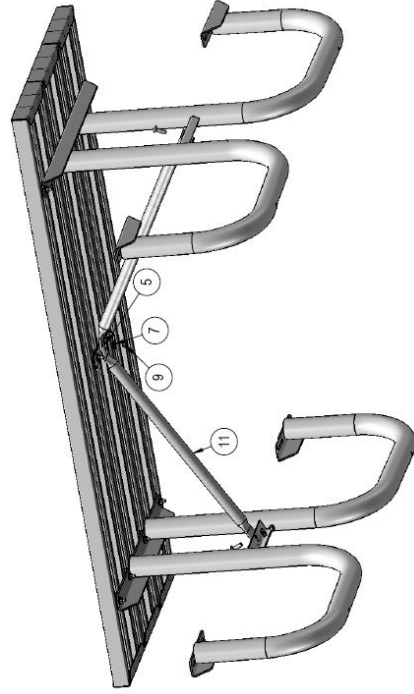
Step 1:



Aluminum Clips hang on the inside of the Aluminum Planks as shown above.

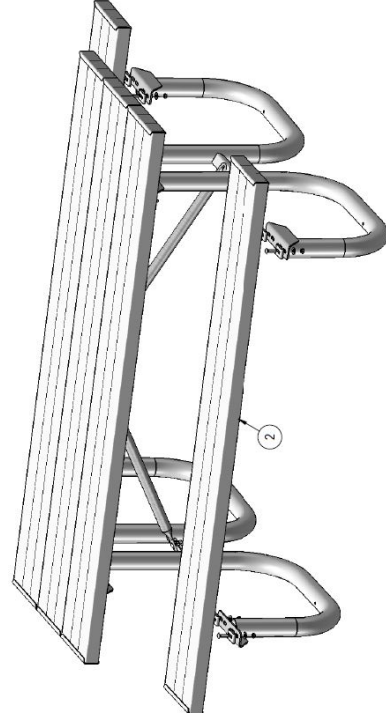
Attach the Aluminum Planks for the Table Top to the 238 Legs as shown using specified hardware. Attach the 158/238 Center Attachment to the center of the middle plank as shown above.

Step 2:



Attach the 6' Braces to the Center Attachment and the 238 Legs as shown using specified hardware.

Step 3:



Attach the Aluminum Seat to the 238 Legs using specified hardware.

Attach the Aluminum Planks for the table top to the 238 Legs as shown using specified hardware. Attach the 158/238 Center Attachment to the center of the middle plank as shown above.