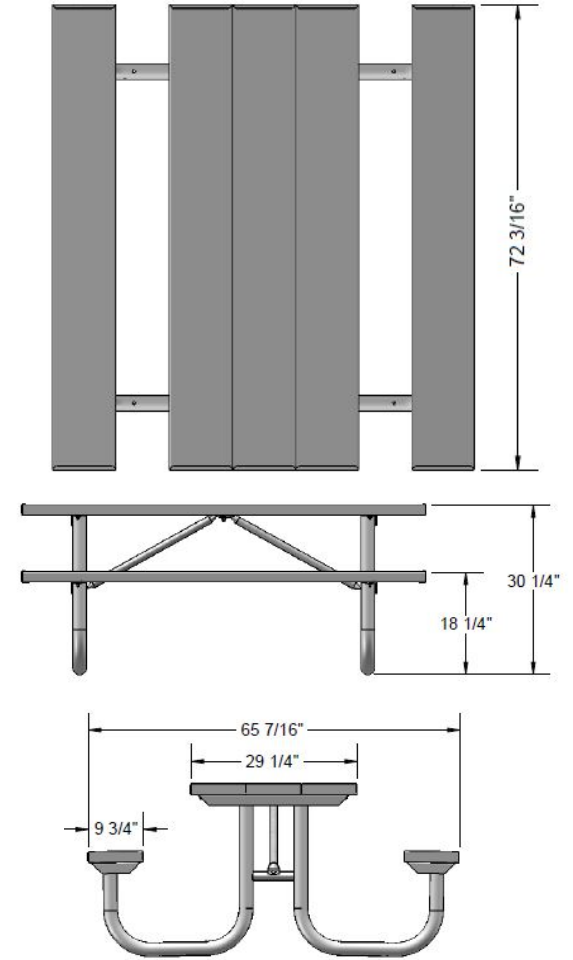
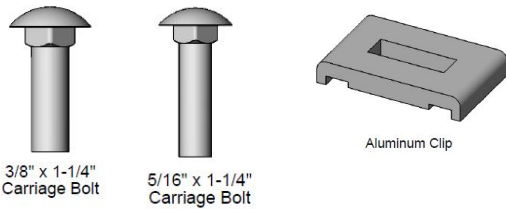


Parts

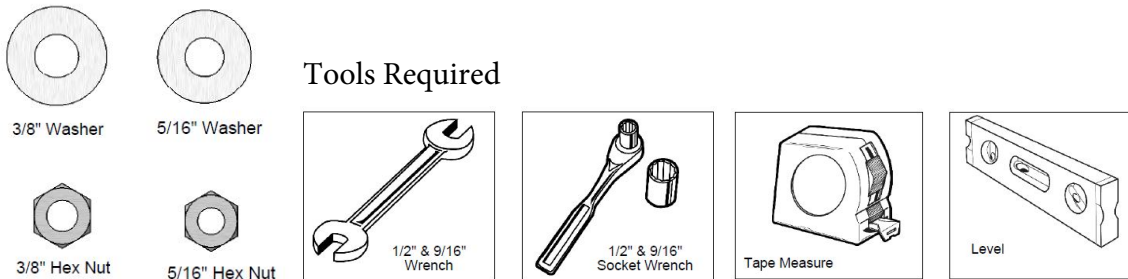
Dimensions



Hardware Included



Tools Required



WARRANTY: OCCOutdoors, Inc. guarantees all items for one full year to be free of defects in workmanship or materials when installed and maintained properly. We agree to repair or replace, any items determined to be defective. Items specifically not covered by this warranty include vandalism, manmade or natural disasters, lack of maintenance, normal weathering or wear and tear due to public abuse.

- NOTES:
 1. INSTALLATION TO BE COMPLETED IN ACCORDANCE WITH MANUFACTURER'S SPECIFICATIONS.
 2. ALL DIMENSIONS ARE CONSIDERED TRUE AND REFLECT MANUFACTURER'S SPECIFICATIONS
 3. DO NOT SCALE DRAWING.

This document contains OCC Outdoors Proprietary Information. No intellectual copyright or license is granted by OCC Outdoors in connection with it. It is delivered on the express condition that the document and the information contained in it shall be treated as confidential, shall not be used for and purpose other than that for which it is hereby delivered (the use and maintenance of the product supplied). It shall not be disclosed in whole or part to third parties and shall not be duplicated in any manner without OCC Outdoors's prior approval.

OCC Outdoors Products
 PH: 1-800-821-7670
 EMAIL - occontact@occoutdoors.com
 Fax: 1-317-862-9422

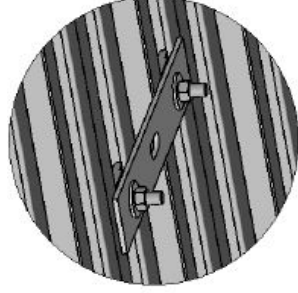
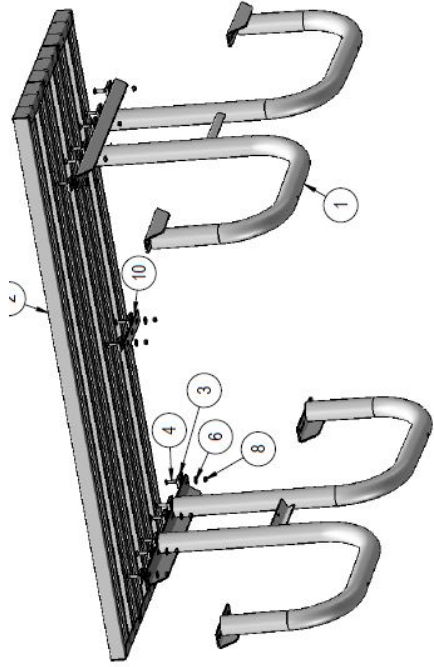
Part #: OCC-238-A8

Date: 2/09/16

OCC-238-A8 Extra Heavy Duty Portable Picnic Table with Walk Through Design. Top & Seats are Aluminum Planking, Frame is pre-galvanized structural Steel Tubing Specifications

Assembly Instructions:

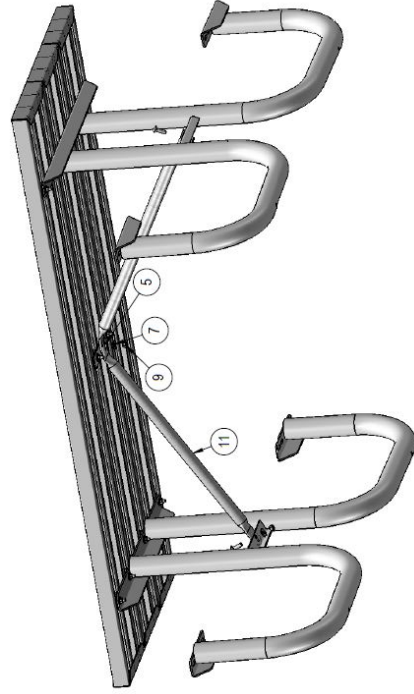
Step 1:



Aluminum Clips hang on the inside of the Aluminum Planks as shown above.

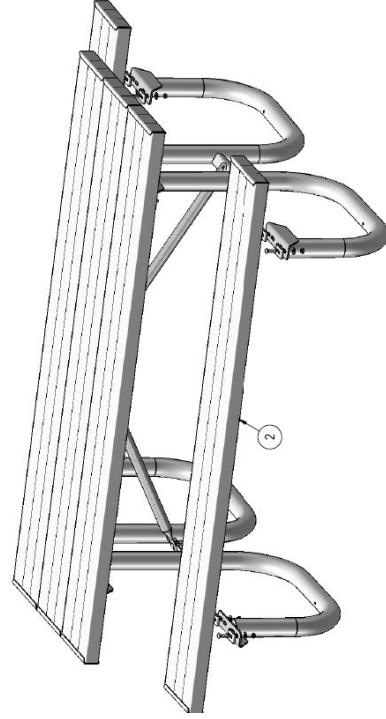
Attach the Aluminum Planks for the Table Top to the 238 Legs as shown using specified hardware. Attach the 158/238 Center Attachment to the center of the middle plank as shown above.

Step 2:



Attach the 6' Braces to the Center Attachment and the 238 Legs as shown using specified hardware.

Step 3:



Attach the Aluminum Seat to the 238 Legs using specified hardware.

Attach the Aluminum Planks for the table top to the 238 Legs as shown using specified hardware. Attach the 158/238 Center Attachment to the center of the middle plank as shown above.