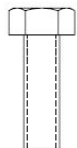


**Parts List**

**Dimensions**

**HARDWARE INCLUDED**



5/16" x 1" Machine Bolt

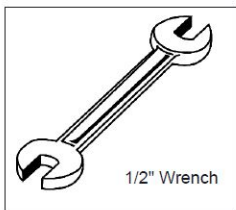


5/16" Washer

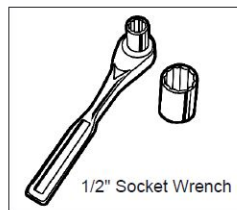


5/16" Kep Nut

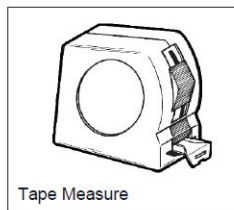
**Tools Required**



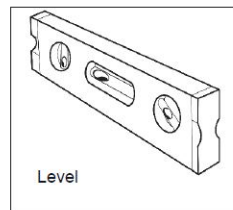
1/2" Wrench



1/2" Socket Wrench



Tape Measure



Level

**Recommend Surface Mounting Hardware: 5/16" x 5-1/2" Concrete Expansion Anchor Bolts  
Optional, Not Included**

**WARRANTY:** OCCOutdoors, Inc. guarantees all items for one full year to be free of defects in workmanship or materials when installed and maintained properly. We agree to repair or replace, any items determined to be defective. Items specifically not covered by this warranty include vandalism, manmade or natural disasters, lack of maintenance, normal weathering or wear and tear due to public abuse.

**NOTES:**

1. INSTALLATION TO BE COMPLETED IN ACCORDANCE WITH MANUFACTURER'S SPECIFICATIONS.
2. ALL DIMENSIONS ARE CONSIDERED TRUE AND REFLECT MANUFACTURER'S SPECIFICATIONS
3. DO NOT SCALE DRAWING.

This document contains OCC Outdoors Proprietary Information. No intellectual copyright or license is granted by OCC Outdoors in connection with it. It is delivered on the express condition that the document and the information contained in it shall be treated as confidential, shall not be used for and purpose other than that for which it is hereby delivered (the use and maintenance of the product supplied). It shall not be disclosed in whole or part to third parties and shall not be duplicated in any manner without OCC Outdoors's prior approval.

**OCC Outdoors Products**

PH: 1-800-821-7670

EMAIL - occcontact@occoutdoors.com

Fax: 1-317-862-9422

**Part #: OCC-238-P**

Date: 4/5/2016 **Page 1 of 2**

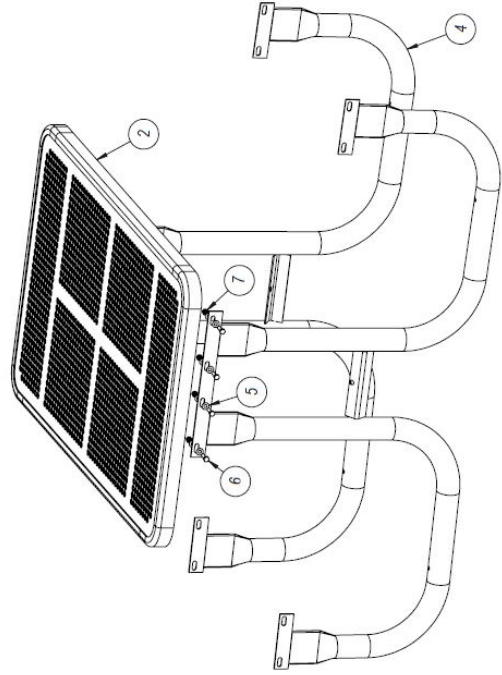
**' Extra Heavy Duty Walk Through  
Design Portable or Surface Mount  
Picnic Table, Thermoplastic  
Coated Perforated Design Top &  
Powder Coated Legs**

8 7 6 5 4 3 2 1

D C B A

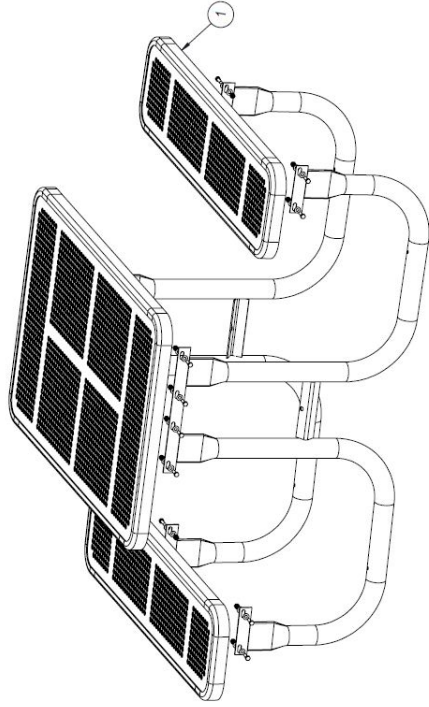
# Assembly Instructions

## Step 1



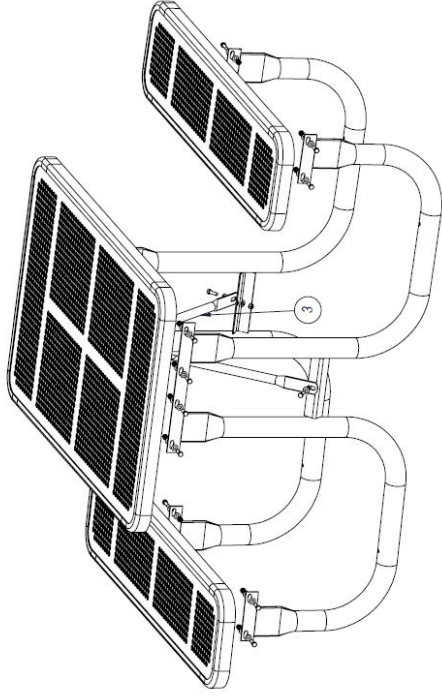
**Attach the 4' Punched Top to the 238 Frames using specified hardware.**

## Step 2



**Attach the 4' Punched Seats to the 238 Frames using specified hardware.**

## Step 2



**Attach the 21 -3/8" Braces to the 4' Punched Top and the 238 Frames as shown using the specified hardware.**

8 7 6 5 4 3 2 1

D C B A