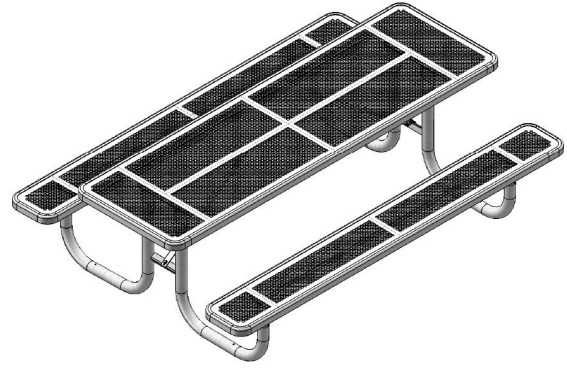
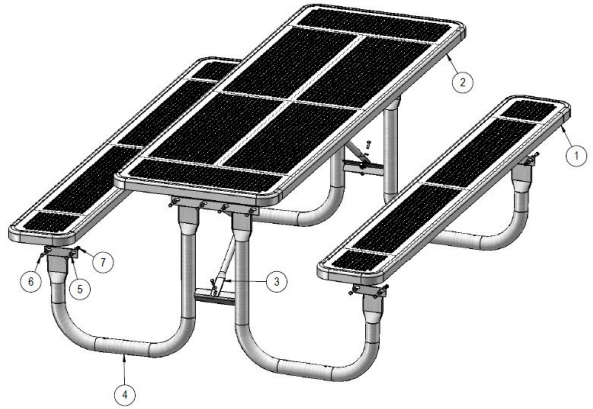


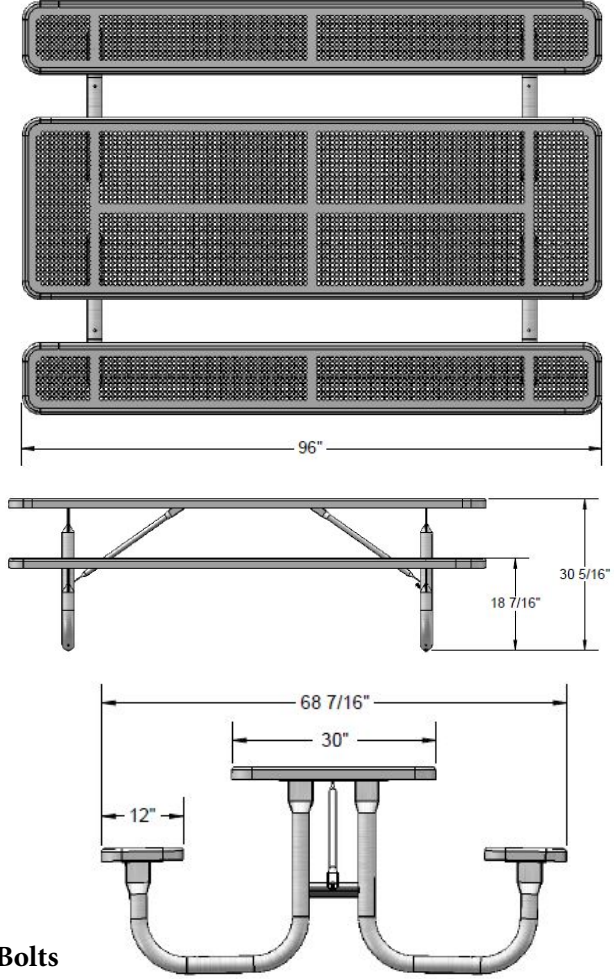
8 | 7 | 6 | 5 | 4 | 3 | 2 | 1



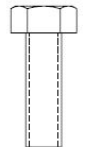
Parts List



Dimensions



HARDWARE INCLUDED



5/16" x 1" Machine Bolt



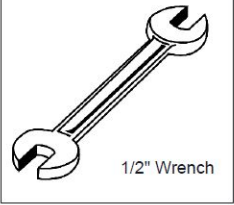
5/16" Washer



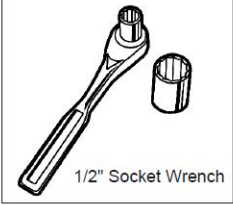
5/16" Kep Nut

ITEM NO.	PartNo	DESCRIPTION	QTY
1	T-P96-S	8' Punched Seat	2
2	T-P96-T	8' Punched Top	1
3	P-01-04-0125	29 7/8" Brace	2
4	P-V238	238 Vinyl Frame	2
5	33-02-0007	5/16" Flat Washer (SS)	44
6	33-05-0029	5/16" x 1" Machine Bolt (SS)	22
7	33-03-0012	5/16" Kep Nut (SS)	22

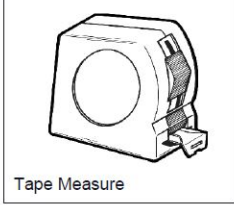
Tools Required



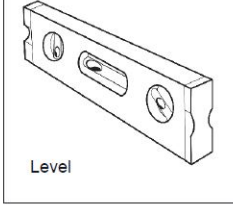
1/2" Wrench



1/2" Socket Wrench



Tape Measure



Level

Recommend Surface Mounting Hardware: 5/16" x 5-1/2" Concrete Expansion Anchor Bolts
Optional, Not Included

WARRANTY: OCCOutdoors, Inc. guarantees all items for one full year to be free of defects in workmanship or materials when installed and maintained properly. We agree to repair or replace, any items determined to be defective. Items specifically not covered by this warranty include vandalism, manmade or natural disasters, lack of maintenance, normal weathering or wear and tear due to public abuse.

- NOTES:**
1. INSTALLATION TO BE COMPLETED IN ACCORDANCE WITH MANUFACTURER'S SPECIFICATIONS.
 2. ALL DIMENSIONS ARE CONSIDERED TRUE AND REFLECT MANUFACTURER'S SPECIFICATIONS
 3. DO NOT SCALE DRAWING.

This document contains OCC Outdoors Proprietary Information. No intellectual copyright or license is granted by OCC Outdoors in connection with it. It is delivered on the express condition that the document and the information contained in it shall be treated as confidential, shall not be used for and purpose other than that for which it is hereby delivered (the use and maintenance of the product supplied). It shall not be disclosed in whole or part to third parties and shall not be duplicated in any manner without OCC Outdoors's prior approval.

OCC Outdoors Products
 PH: 1-800-821-7670
 EMAIL - occcontact@occoutdoors.com
 Fax: 1-317-862-9422

Part #: OCC-238-P8

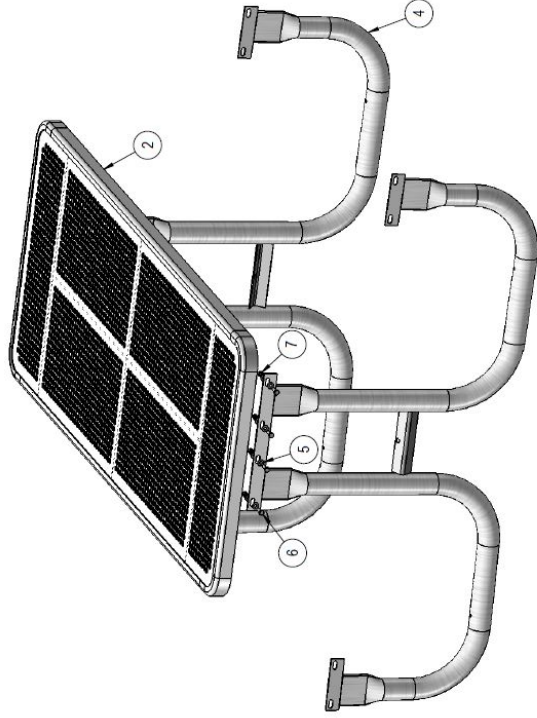
Date: 4/5/2016 **Page 1 of 2**

8' Extra Heavy Duty Walk Through Design Portable or Surface Mount Picnic Table, Thermoplastic Coated Perforated Design Top & Powder Coated Legs

8 | 7 | 6 | 5 | 4 | 3 | 2 | 1

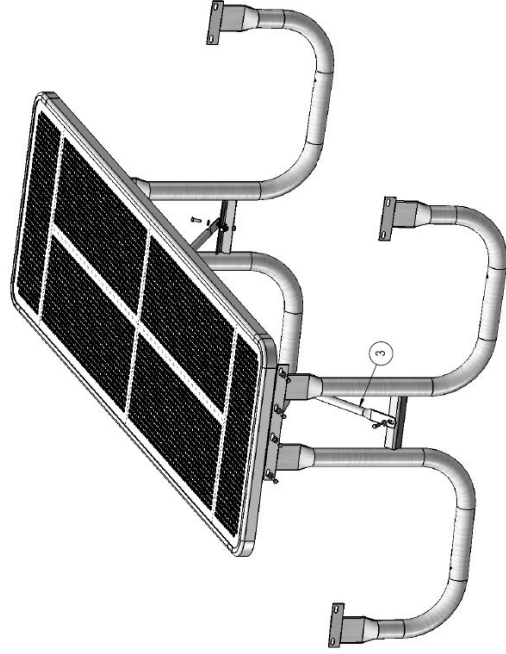
Step 1

Assembly Instructions



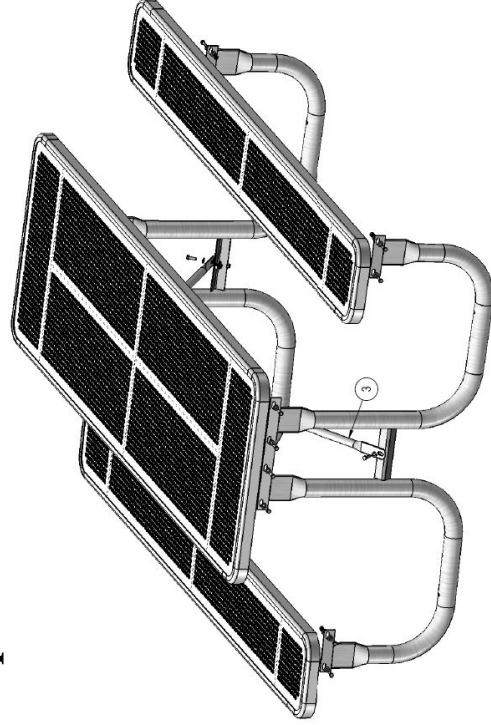
Attach the 8' Punched Top to the 238 Frames using specified hardware.

Step 2



Attach the 29-7/8" Braces to the 8' Punched Top and the 238 Frames as shown using the specified hardware.

Step 3



Attach the 8' Punched Seats to the 238 Frames using the specified hardware.