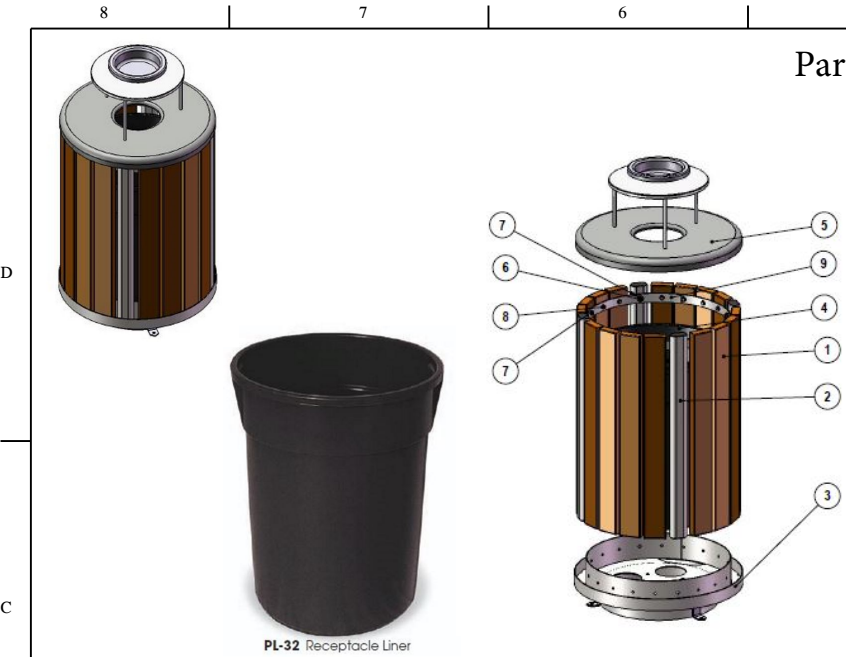
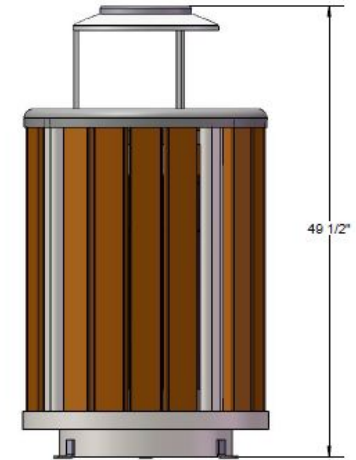
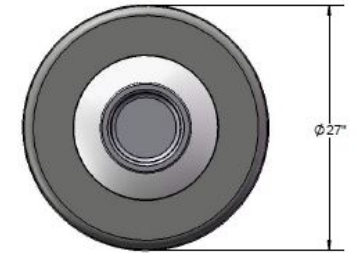


Parts List

ITEM NO.	PartNo	DESCRIPTION	QTY.
1	BRN34-2x4-TR, CDR34-2x4-TR, GRN34-2x4-TR, or GRY34-2x4-TR	2 x 4 Brown Recycled TR Plank (34"), 2 x 4 Cedar Recycled TR Plank (34"), 2 x 4 Green Recycled TR Plank (34"), or 2 x 4 Gray Recycled TR Plank (34")	16
2	P-01-01-0434	60 Series Oval Slat	4
3	P-01-01-0433	60 Series Bottom Ring Assembly	1
4	PL-32	32 Gal. Liner	1
5	(T/P) AUR-55-08	52 Gallon Rolled Ash Urn with a 8" opening	1
6	33-06-0056	3/8" x 1" Machine Bolt (SS)	8
7	33-02-0008	3/8" Flat Washer (SS)	8
8	33-05-0034	5/16" x 1-1/4" lag bolt, SS	32
9	P-01-01-0427	60 Series Top Ring	1

Dimensions



PL-32 Receptacle Liner

Assembly Instructions

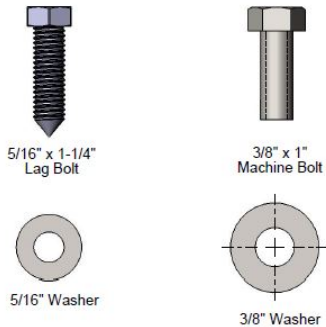
Steps:

1. Attach the 60 series oval slats to the bottom ring assembly.
2. Attach the recycled planks to the bottom ring assembly.
3. Attach the 60 series top ring to the 60 series oval slats and recycled planks.
4. Insert the 32 gal. liner.
5. Attach the lid.

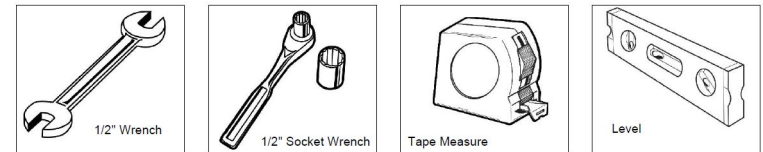
NOTE:
Over tightening of Button Head Bolts and Lag Bolts will result in stripping.

Mounting Hardware

Optional Surface Mount Hardware:
3/8" x 3-1/2" Concrete Expansion Anchor Bolts
(Not Included)



Tools Required



WARRANTY: OCCOutdoors, Inc. guarantees all items for one full year to be free of defects in workmanship or materials when installed and maintained properly. We agree to repair or replace, any items determined to be defective. Items specifically not covered by this warranty include vandalism, manmade or natural disasters, lack of maintenance, normal weathering or wear and tear due to public abuse.

NOTES:

1. INSTALLATION TO BE COMPLETED IN ACCORDANCE WITH MANUFACTURER'S SPECIFICATIONS.
2. ALL DIMENSIONS ARE CONSIDERED TRUE AND REFLECT MANUFACTURER'S SPECIFICATIONS
3. DO NOT SCALE DRAWING.

This document contains OCC Outdoors Proprietary Information. No intellectual copyright or license is granted by OCC Outdoors in connection with it. It is delivered on the express condition that the document and the information contained in it shall be treated as confidential, shall not be used for and purpose other than that for which it is hereby delivered (the use and maintenance of the product supplied). It shall not be disclosed in whole or part to third parties and shall not be duplicated in any manner without OCC Outdoors's prior approval.

OCC Outdoors Products

PH: 1-800-821-7670
EMAIL - occcontact@occoutdoors.com
Fax: 371-862-9422

Part #: OCC-60-34AU

Date: 9/02/2015

Richmond Recycle Plastic Trash
receptacle with Ash Urn Lid &
32 Gallon Plastic Liner. Choice
of 4 Plank Colors