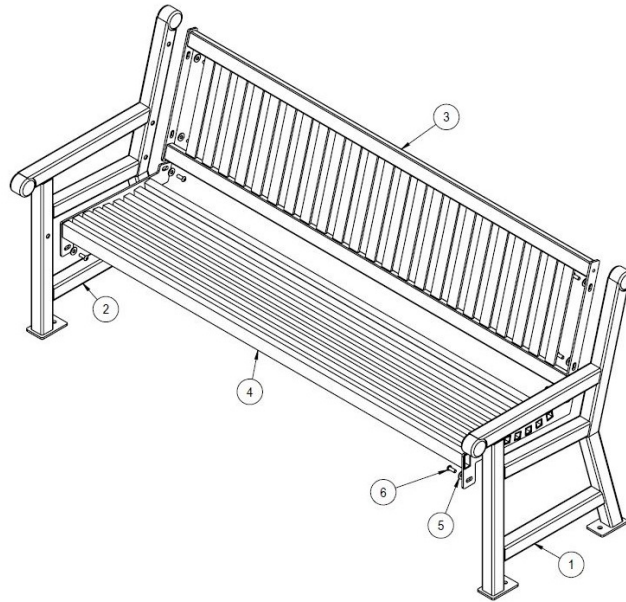
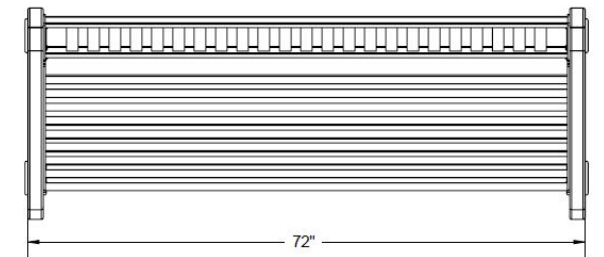
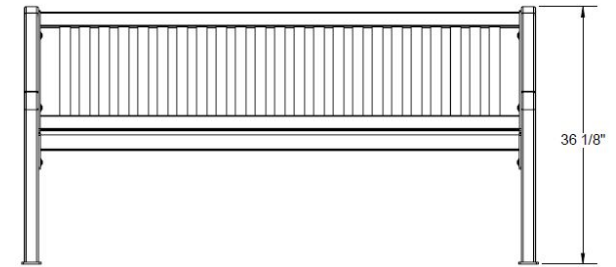
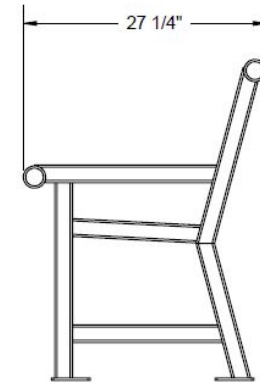




### Parts List/Diagram



### Dimensions



### Hardware Included

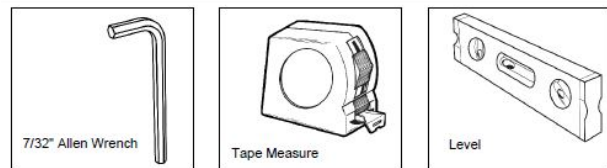


### Assembly Instructions

Attach the Right Hand and Left Hand 922 Legs to the 6' Seat and 6' Slat Back using specified hardware.

**Recommended Surface Mount Hardware:  
3/8" x 3-1/2" Concrete Expansion Anchor Bolts**

### Tools Required for Assembly



ITEM NO.	PartNo	DESCRIPTION	QTY
1	T-922-L	922 LH Leg	1
2	T-922-R	922 RH Leg	1
3	T-S72SV-B	922 6' Slat Back	1
4	T-01-01-0119	922 6' Seat	1
5	33-02-0008	3/8" Flat Washer (SS)	8
6	33-06-0052	3/8"-16 x 1" Button Bolt (SS)	8

**WARRANTY:** OCCOutdoors, Inc. guarantees all items for one full year to be free of defects in workmanship or materials when installed and maintained properly. We agree to repair or replace, any items determined to be defective. Items specifically not covered by this warranty include vandalism, manmade or natural disasters, lack of maintenance, normal weathering or wear and tear due to public abuse.

- NOTES:  
 1. INSTALLATION TO BE COMPLETED IN ACCORDANCE WITH MANUFACTURER'S SPECIFICATIONS.  
 2. ALL DIMENSIONS ARE CONSIDERED TRUE AND REFLECT MANUFACTURER'S SPECIFICATIONS  
 3. DO NOT SCALE DRAWING.

This document contains OCC Outdoors Proprietary Information. No intellectual copyright or license is granted by OCC Outdoors in connection with it. It is delivered on the express condition that the document and the information contained in it shall be treated as confidential, shall not be used for and purpose other than that for which it is hereby delivered (the use and maintenance of the product supplied). It shall not be disclosed in whole or part to third parties and shall not be duplicated in any manner without OCC Outdoors's prior approval.

### OCC Outdoors Products

PH: 1-800-821-7670  
 EMAIL - [occontact@occoutdoors.com](mailto:occontact@occoutdoors.com)  
 Fax: 371-862-9422

**OCC Outdoors OCC-922S6 6'  
 Savannah Slat Bench, Surface  
 Mount or Portable**

**Part #: OCC-922-S6**

Date: 9/25/2015