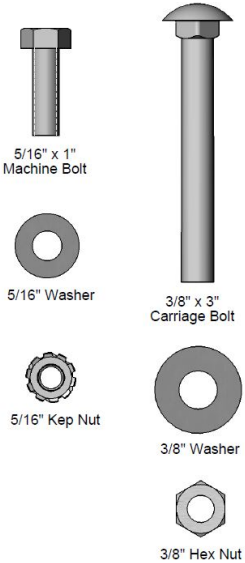
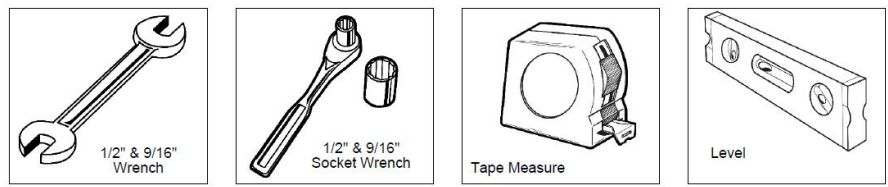


### Hardware Included

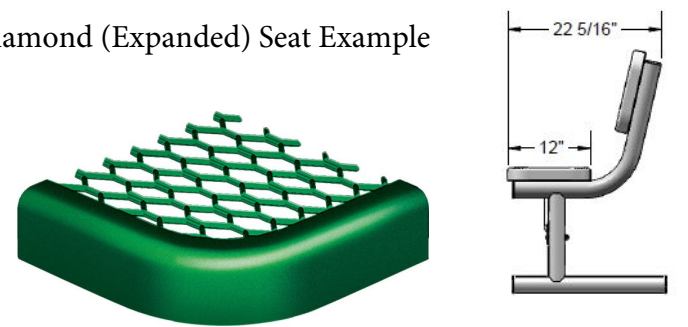
ITEM NO.	PartNo	DESCRIPTION	QTY
1	P-V940P	940P Vinyl Leg	2
2	T-V96-S	8' Expanded Seat	2
3	33-02-0007	5/16" Flat Washer (SS)	20
4	33-02-0008	3/8" Flat Washer (SS)	2
5	33-05-0029	5/16" x 1" Machine Bolt (SS)	10
6	33-03-0012	5/16" Kep Nut (SS)	10
7	33-03-0013	3/8" Kep Nut (SS)	2
8	33-06-0058	3/8" x 3" Carriage Bolt (SS)	2
9	P-01-04-0129	26 3/4" Brace	2



### Tools Required



### Diamond (Expanded) Seat Example



**WARRANTY:** OCCOutdoors, Inc. guarantees all items for one full year to be free of defects in workmanship or materials when installed and maintained properly. We agree to repair or replace, any items determined to be defective. Items specifically not covered by this warranty include vandalism, manmade or natural disasters, lack of maintenance, normal weathering or wear and tear due to public abuse.

- NOTES:**
1. INSTALLATION TO BE COMPLETED IN ACCORDANCE WITH MANUFACTURER'S SPECIFICATIONS.
  2. ALL DIMENSIONS ARE CONSIDERED TRUE AND REFLECT MANUFACTURER'S SPECIFICATIONS
  3. DO NOT SCALE DRAWING.

This document contains OCC Outdoors Proprietary Information. No intellectual copyright or license is granted by OCC Outdoors in connection with it. It is delivered on the express condition that the document and the information contained in it shall be treated as confidential, shall not be used for and purpose other than that for which it is hereby delivered (the use and maintenance of the product supplied). It shall not be disclosed in whole or part to third parties and shall not be duplicated in any manner without OCC Outdoors's prior approval.

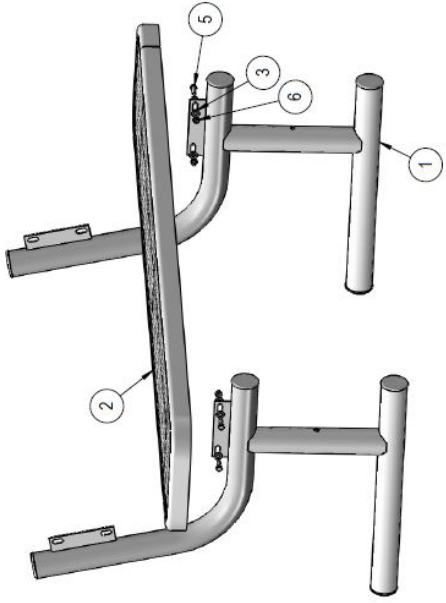
**OCC Outdoors Products**  
 PH: 1-800-821-7670  
 EMAIL - occcontact@occoutdoors.com  
 Fax: 1-317-862-9422

**Part #: OCC-940P-V8**

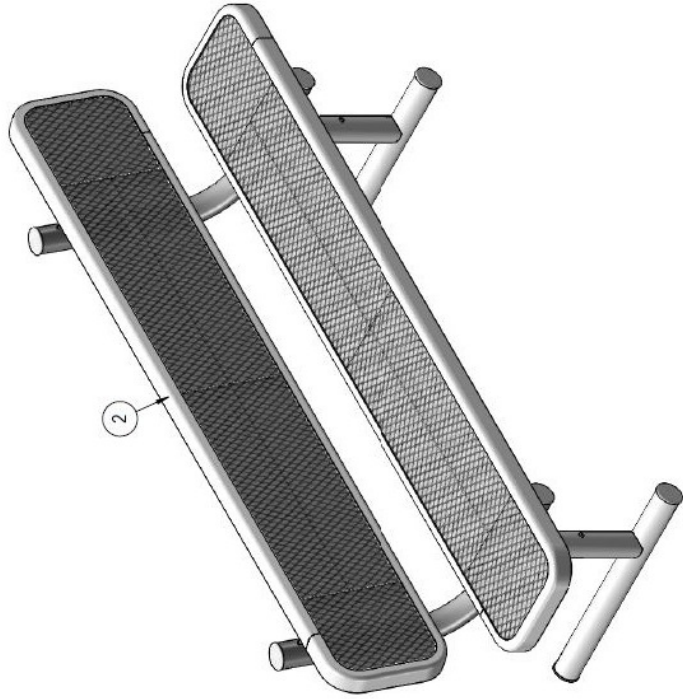
Date: 12/17/2015

**OCC Outdoors 8' Heavy Duty Portable Bench with 12" Diamond Pattern Seat & Back**

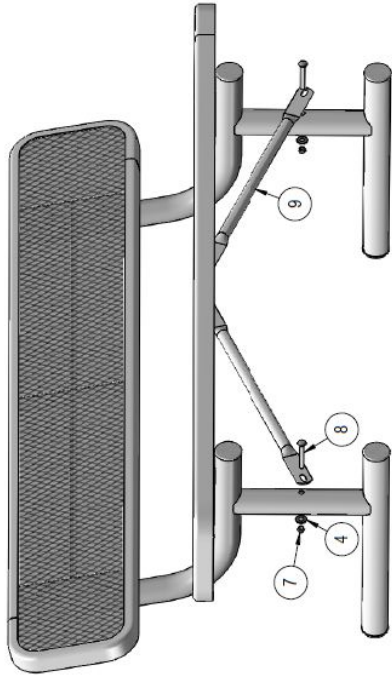
# Assembly Instructions



**Step 1 - Attach the 8' Expanded Seat to the 940 Legs using the Specified Hardware**



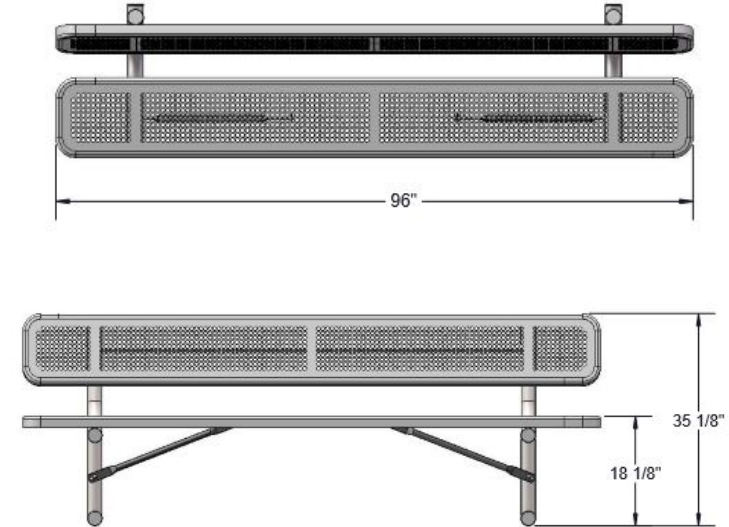
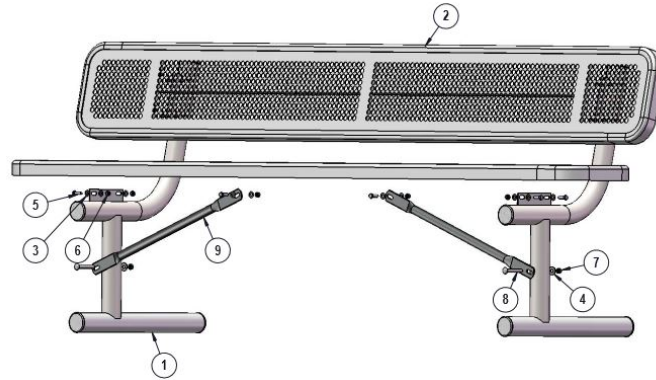
**Step 2 - Repeat Step 1 for the Back**



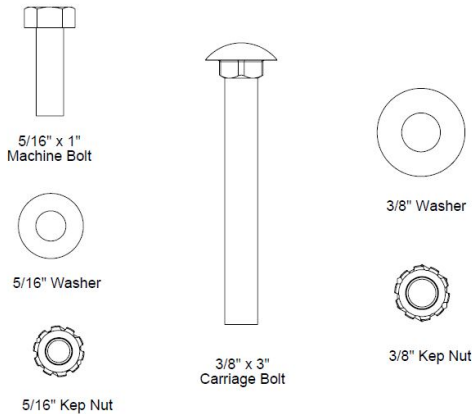
**Step 3 - Attach the 26-3/4" Braces to the 940 Legs As Shown Using the Specified Hardware**

## Parts Diagram/List

## Dimensions



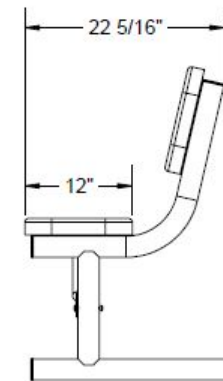
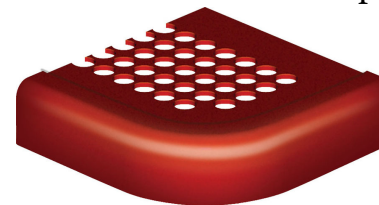
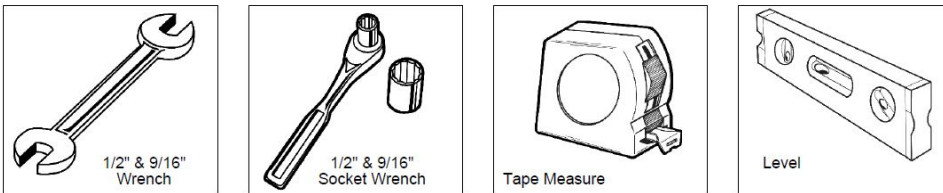
### Hardware Included



ITEM NO.	PartNo	DESCRIPTION	QTY
1	P-V940P	940P Vinyl Leg	2
2	T-P96-S	8' Punched Seat	2
3	33-02-0007	5/16" SS Washer	20
4	33-02-0008	3/8" Flat Washer (SS)	2
5	33-05-0029	5/16" x 1" Machine Bolt (SS)	10
6	33-03-0012	5/16" Kev Nut (SS)	10
7	33-03-0013	3/8" Kev Nut (SS)	2
8	33-06-0058	3/8" x 3" Carriage Bolt (SS)	2
9	P-01-04-0129	26 3/4" Brace	2

### Tools Required

### Perforated Pattern Example



**WARRANTY:** OCCOutdoors, Inc. guarantees all items for one full year to be free of defects in workmanship or materials when installed and maintained properly. We agree to repair or replace, any items determined to be defective. Items specifically not covered by this warranty include vandalism, manmade or natural disasters, lack of maintenance, normal weathering or wear and tear due to public abuse.

#### NOTES:

1. INSTALLATION TO BE COMPLETED IN ACCORDANCE WITH MANUFACTURER'S SPECIFICATIONS.
2. ALL DIMENSIONS ARE CONSIDERED TRUE AND REFLECT MANUFACTURER'S SPECIFICATIONS
3. DO NOT SCALE DRAWING.

This document contains OCC Outdoors Proprietary Information. No intellectual copyright or license is granted by OCC Outdoors in connection with it. It is delivered on the express condition that the document and the information contained in it shall be treated as confidential, shall not be used for and purpose other than that for which it is hereby delivered (the use and maintenance of the product supplied). It shall not be disclosed in whole or part to third parties and shall not be duplicated in any manner without OCC Outdoors's prior approval.

OCC Outdoors Products

PH: 1-800-821-7670

EMAIL - occcontact@occoutdoors.com

Fax: 1-317-862-9422

Part #: OCC-940P-P8

Date: 12/23/2015

OCC Outdoors 8' Heavy Duty Portable Bench with 12" Perforated Pattern Seat and Back.

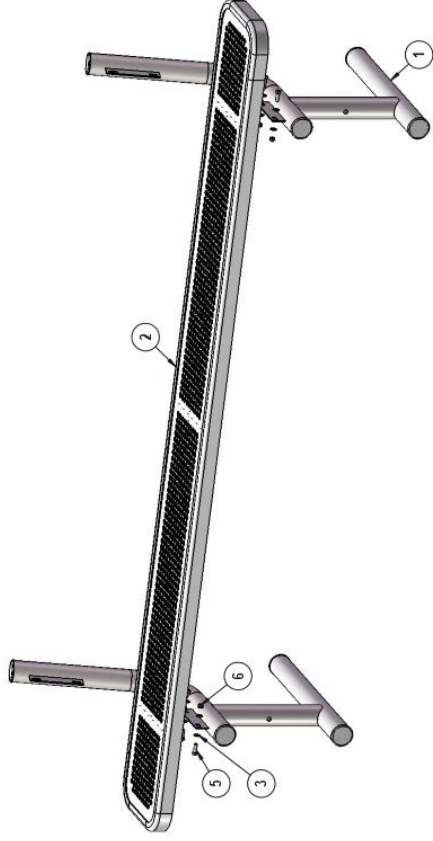
Page 1 of 2



A B C D

## Assembly Instructions

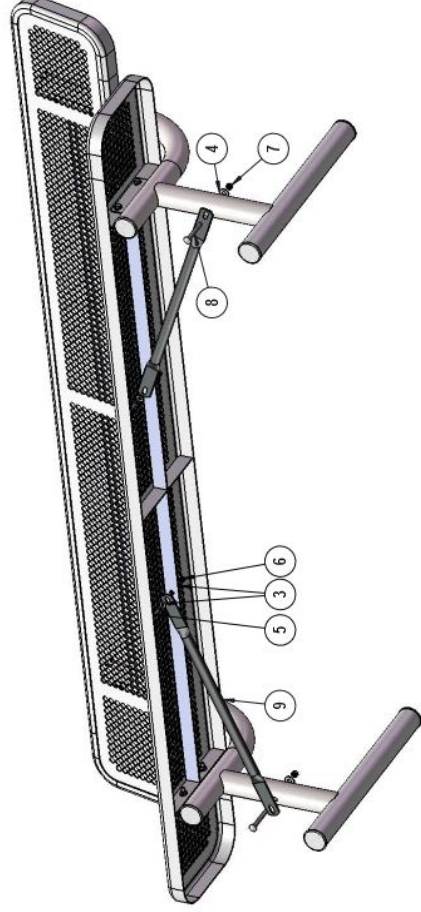
**Step 1** Attach the 8' Punched Seat to the 940 legs using specified hardware.



**Step 2** Repeat Step 1 for the back.



**Step 3** Attach the 26 3/4" Braces to the 940 legs as shown using specified hardware.



A

B

C

D