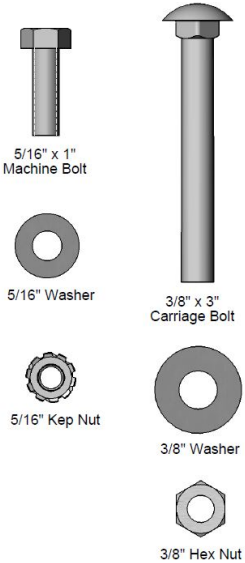
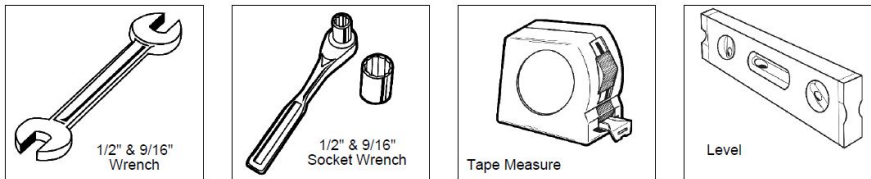


Hardware Included

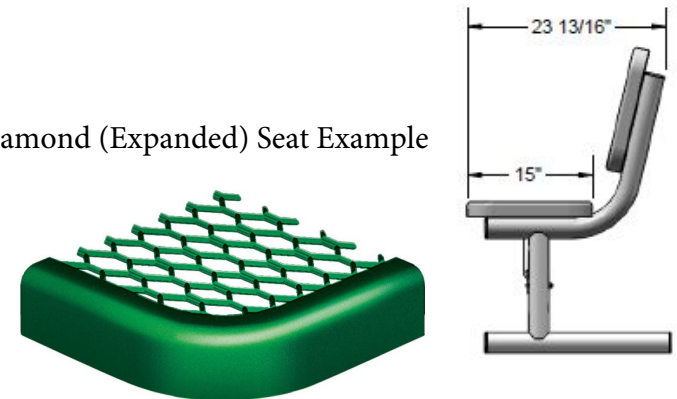
ITEM NO.	PartNo	DESCRIPTION	QTY
1	P-V940P	940P Vinyl Leg	2
2	T-DV96-S	8' Expanded Deluxe Seat	2
3	33-02-0007	5/16" Flat Washer (SS)	20
4	33-02-0008	3/8" Flat Washer (SS)	2
5	33-05-0029	5/16" x 1" Machine Bolt (SS)	10
6	33-03-0012	5/16" Kep Nut (SS)	10
7	33-03-0013	3/8" Kep Nut (SS)	2
8	33-06-0058	3/8" x 3" Carriage Bolt (SS)	2
9	P-01-04-0129	26 3/4" Brace	2



Tools Required



Diamond (Expanded) Seat Example



WARRANTY: OCCOutdoors, Inc. guarantees all items for one full year to be free of defects in workmanship or materials when installed and maintained properly. We agree to repair or replace, any items determined to be defective. Items specifically not covered by this warranty include vandalism, manmade or natural disasters, lack of maintenance, normal weathering or wear and tear due to public abuse.

NOTES:

1. INSTALLATION TO BE COMPLETED IN ACCORDANCE WITH MANUFACTURER'S SPECIFICATIONS.
2. ALL DIMENSIONS ARE CONSIDERED TRUE AND REFLECT MANUFACTURER'S SPECIFICATIONS
3. DO NOT SCALE DRAWING.

This document contains OCC Outdoors Proprietary Information. No intellectual copyright or license is granted by OCC Outdoors in connection with it. It is delivered on the express condition that the document and the information contained in it shall be treated as confidential, shall not be used for and purpose other than that for which it is hereby delivered (the use and maintenance of the product supplied). It shall not be disclosed in whole or part to third parties and shall not be duplicated in any manner without OCC Outdoors's prior approval.

OCC Outdoors Products

PH: 1-800-821-7670
 EMAIL - occcontact@occoutdoors.com
 Fax: 1-317-862-9422

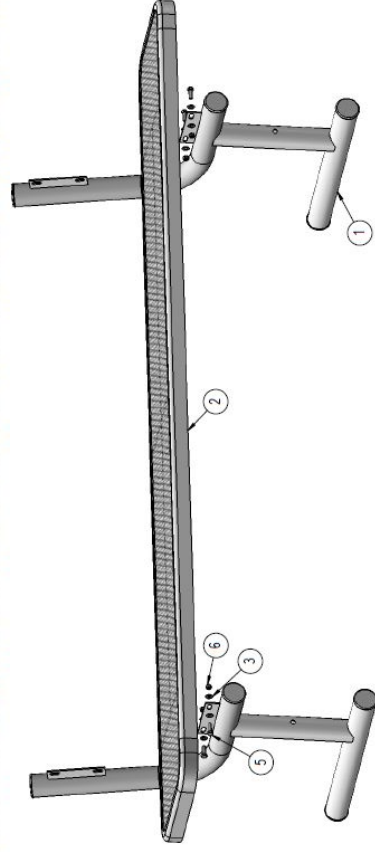
Part #: OCC-940P-DV8

Date: 1/1/2016

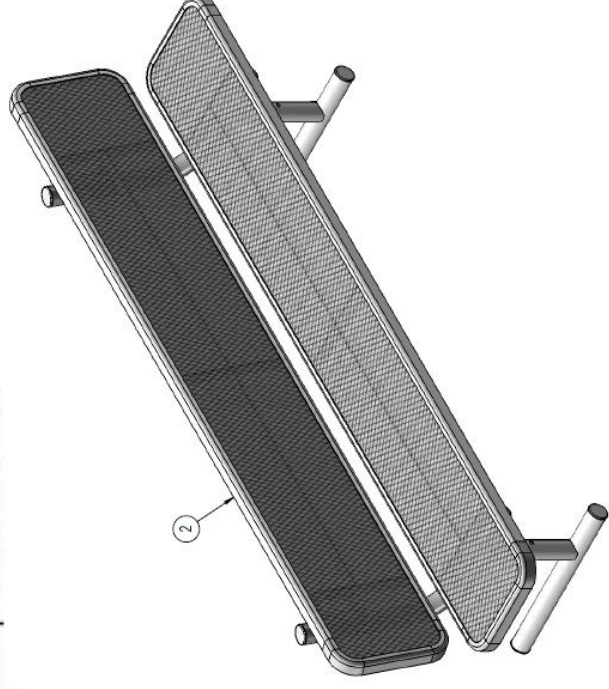
OCC Outdoors 8' Heavy Duty Deluxe Portable Bench with 15" Diamond Pattern Seat & Back

Assembly Instructions

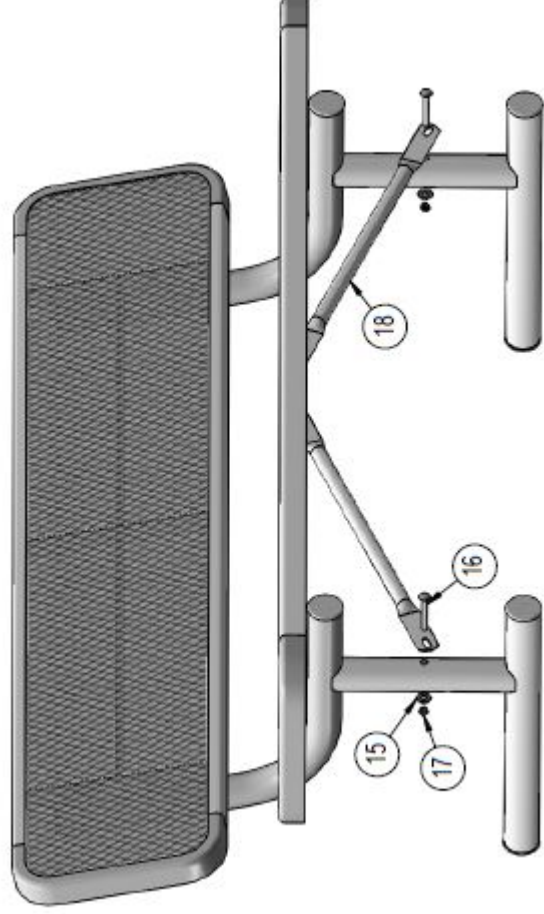
Step 1: Attach the 8' Expanded Deluxe Seat to the 940 legs using specified hardware.



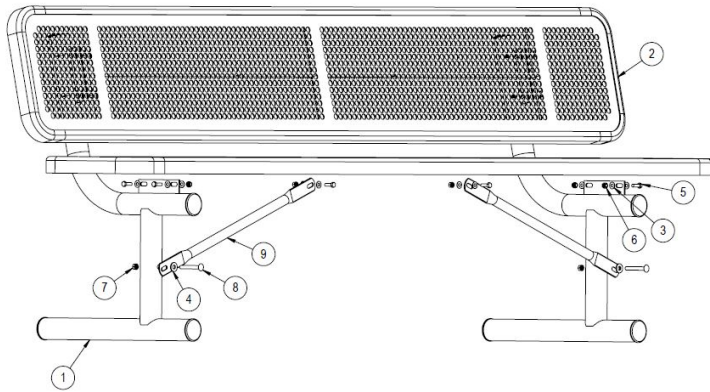
Step 2: Repeat Step 1 for the back.



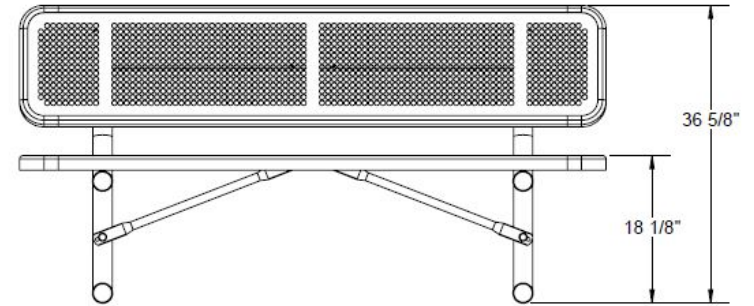
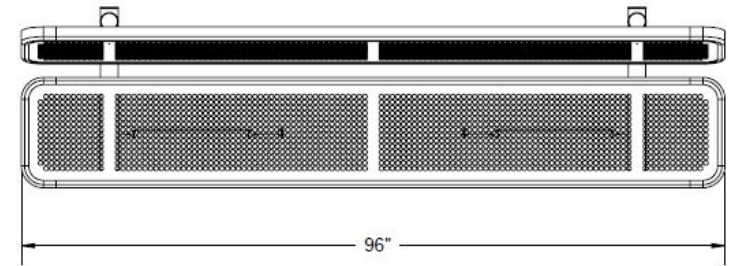
Step 3: Attach the 26 3/4" Braces to the 940 legs as shown using specified hardware.



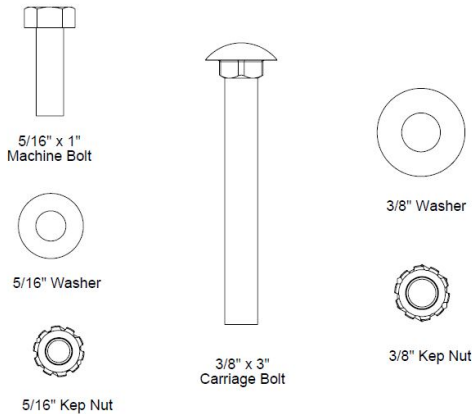
Parts Diagram/List



Dimensions

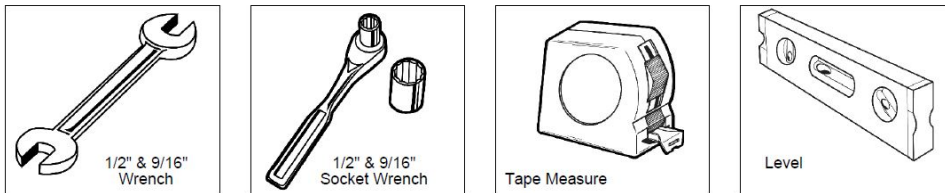


Hardware Included

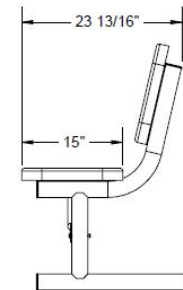
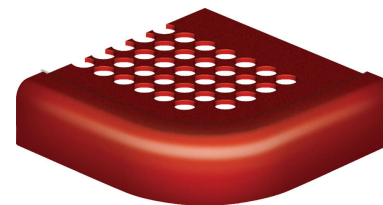


ITEM NO.	PartNo	DESCRIPTION	QTY
1	P-V940P	940P Vinyl Leg	2
2	T-DP96-S	8' Punched Deluxe Seat	2
3	33-02-0007	5/16" Flat Washer (SS)	20
4	33-02-0008	3/8" Flat Washer (SS)	2
5	33-05-0029	5/16" x 1" Machine Bolt (SS)	10
6	33-03-0012	5/16" Kep Nut (SS)	10
7	33-03-0013	3/8" Kep Nut (SS)	2
8	33-06-0058	3/8" x 3" Carriage Bolt (SS)	2
9	P-01-04-0129	26 3/4" Brace	2

Tools Required



Perforated Pattern Example



WARRANTY: OCCOutdoors, Inc. guarantees all items for one full year to be free of defects in workmanship or materials when installed and maintained properly. We agree to repair or replace, any items determined to be defective. Items specifically not covered by this warranty include vandalism, manmade or natural disasters, lack of maintenance, normal weathering or wear and tear due to public abuse.

NOTES:

1. INSTALLATION TO BE COMPLETED IN ACCORDANCE WITH MANUFACTURER'S SPECIFICATIONS.
2. ALL DIMENSIONS ARE CONSIDERED TRUE AND REFLECT MANUFACTURER'S SPECIFICATIONS
3. DO NOT SCALE DRAWING.

This document contains OCC Outdoors Proprietary Information. No intellectual copyright or license is granted by OCC Outdoors in connection with it. It is delivered on the express condition that the document and the information contained in it shall be treated as confidential, shall not be used for and purpose other than that for which it is hereby delivered (the use and maintenance of the product supplied). It shall not be disclosed in whole or part to third parties and shall not be duplicated in any manner without OCC Outdoors's prior approval.

OCC Outdoors Products PH:
1-800-821-7670
EMAIL - occontact@occoutdoors.com
Fax: 1-317-862-9422

Part #: OCC-940P-DP8

Date: 1/1/2016

**OCC Outdoors 8' Heavy Duty
Deluxe Portable Bench with
Perforated Pattern 15" Seat and
Back,**

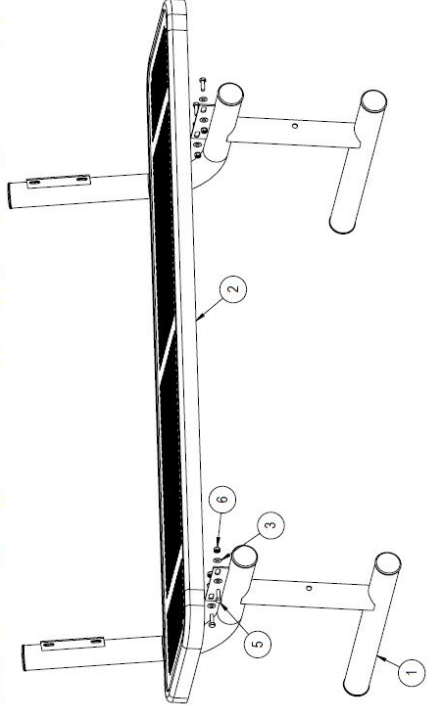
Page 1 of 2

8 7 6 5 4 3 2 1

D C B A

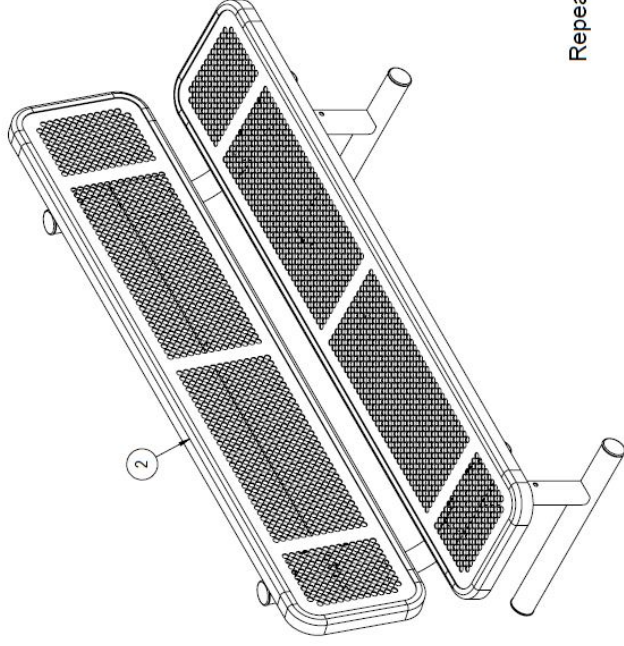
Assembly Instructions

Step 1 Attach the 8' Punched Deluxe Seat to the 940 legs using specified hardware.



Step 2

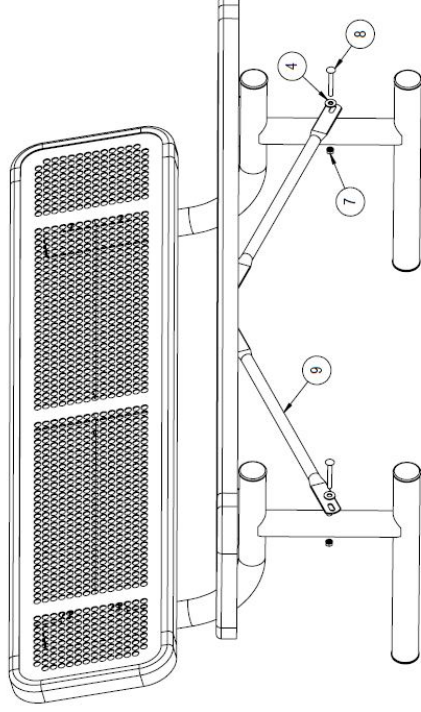
Repeat Step 1 for the back.



Repea

Step 3

Attach the 26 3/4" Braces to the 940 legs as shown using specified hardware.



A B C D

8 7 6 5 4 3 2 1