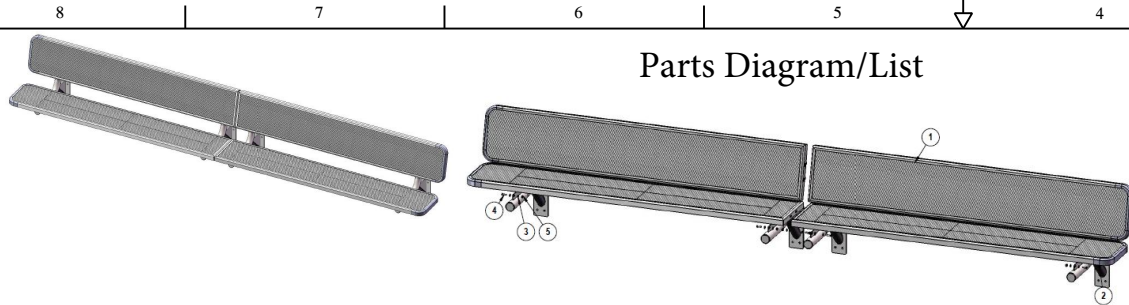
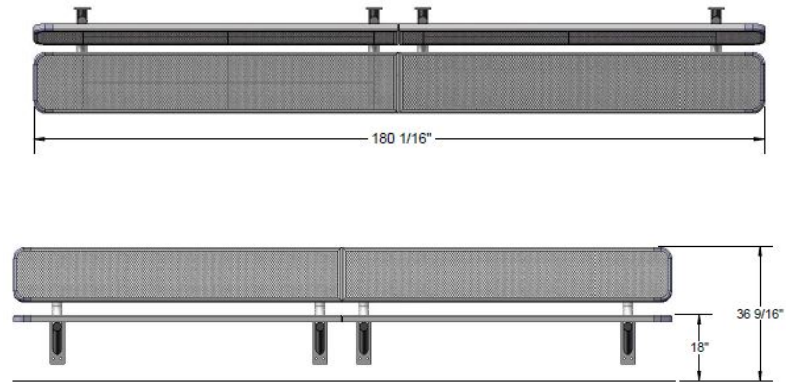


Parts Diagram/List

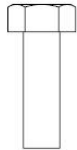


Dimensions



ITEM NO.	PartNo	DESCRIPTION	QTY.
1	T-DV90-S	15' Deluxe Expanded Seat (1/2)	4
2	P-V940WM	940 Wall Mount Vinyl Leg	4
3	33-02-0007	5/16" SS Washer	40
4	33-05-0029	5/16" x 1" Machine Bolt (SS)	20
5	33-03-0012	5/16" Kep Nut (SS)	20

Hardware Included



5/16" x 1" Machine Bolt

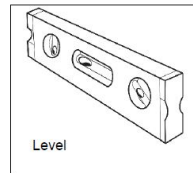
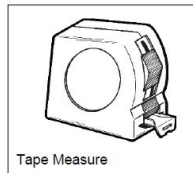
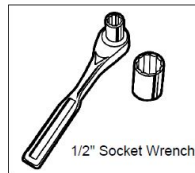
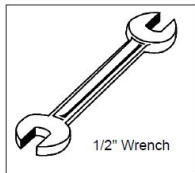


5/16" Washer

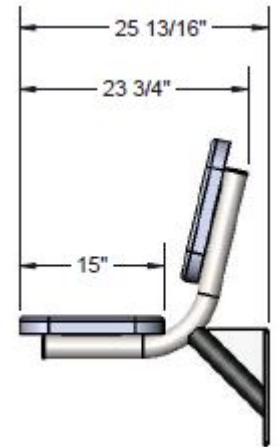


5/16" Kep Nut

Tools Required



Diamond Pattern Example



WARRANTY: OCCOutdoors, Inc. guarantees all items for one full year to be free of defects in workmanship or materials when installed and maintained properly. We agree to repair or replace, any items determined to be defective. Items specifically not covered by this warranty include vandalism, manmade or natural disasters, lack of maintenance, normal weathering or wear and tear due to public abuse.

- NOTES:
 1. INSTALLATION TO BE COMPLETED IN ACCORDANCE WITH MANUFACTURER'S SPECIFICATIONS.
 2. ALL DIMENSIONS ARE CONSIDERED TRUE AND REFLECT MANUFACTURER'S SPECIFICATIONS
 3. DO NOT SCALE DRAWING.

This document contains OCC Outdoors Proprietary Information. No intellectual copyright or license is granted by OCC Outdoors in connection with it. It is delivered on the express condition that the document and the information contained in it shall be treated as confidential, shall not be used for and purpose other than that for which it is hereby delivered (the use and maintenance of the product supplied). It shall not be disclosed in whole or part to third parties and shall not be duplicated in any manner without OCC Outdoors's prior approval.

OCC Outdoors Products PH:
 1-800-821-7670
 EMAIL - occcontact@occoutdoors.com
 Fax: 1-317-862-9422

Part #: OCC-940WM-DV15

Date: 01/06/2016

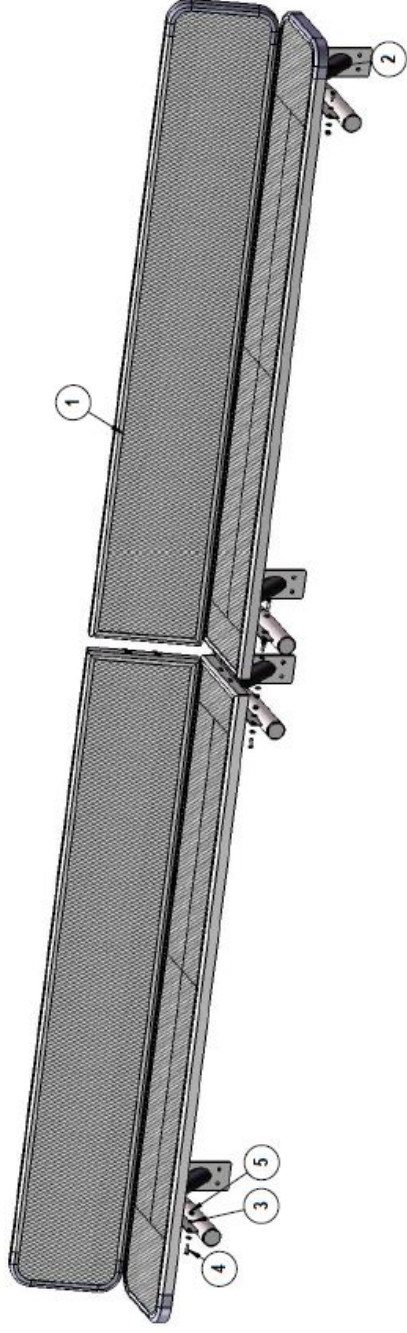
OCC Outdoors 15' Heavy Duty Deluxe Bench, Wall Mount. Diamond Pattern 15" Seat and Back,

A B C D

Assembly Instructions

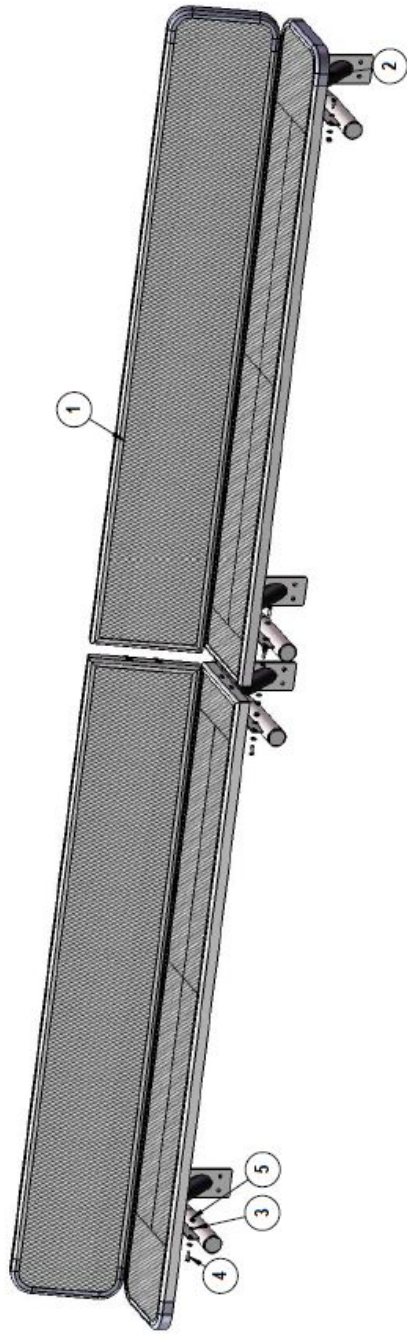
Step 1

Attach the 15' Seats to the 940 Legs as shown using specified hardware.



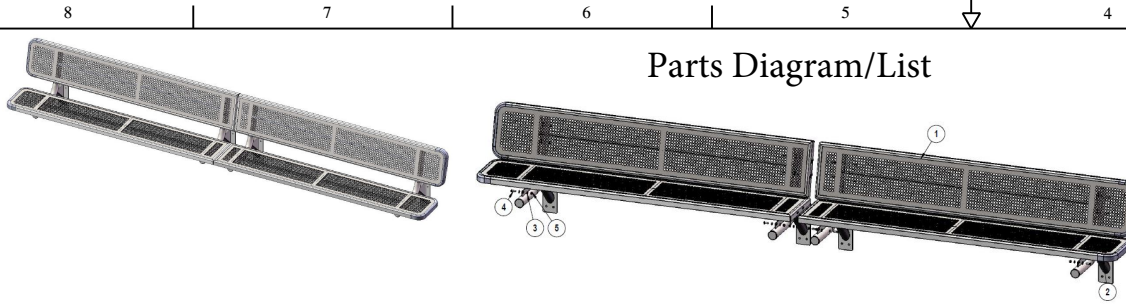
Step 2

Repeat Step 1 for the back.

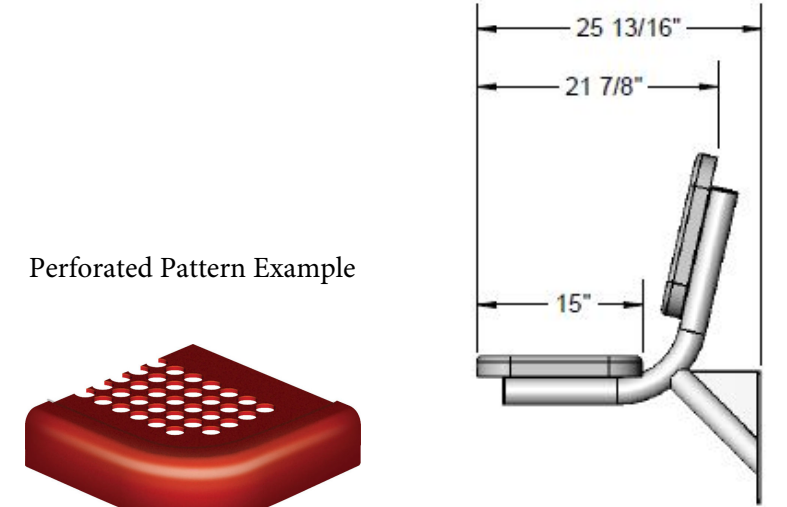
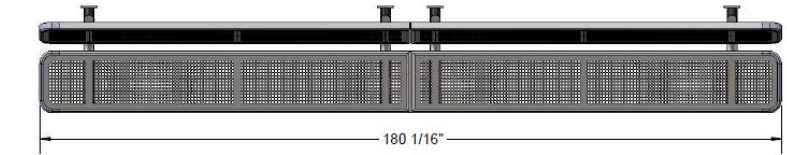


A B C D

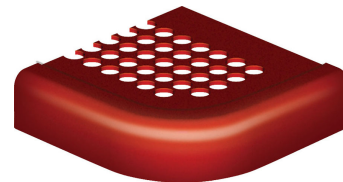
Parts Diagram/List



Dimensions



Perforated Pattern Example



ITEM NO.	PartNo	DESCRIPTION	QTY.
1	T-DP90-S	15' Deluxe Punched Seat (1/2)	4
2	P-V940WM	940 Wall Mount Vinyl Leg	4
3	33-02-0007	5/16" SS Washer	40
4	33-05-0029	5/16" x 1" Machine Bolt (SS)	20
5	33-03-0012	5/16" Kep Nut (SS)	20

Hardware Included



5/16" x 1" Machine Bolt

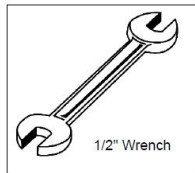


5/16" Washer

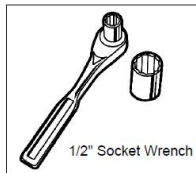


5/16" Kep Nut

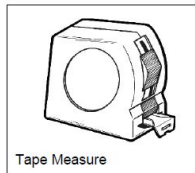
Tools Required



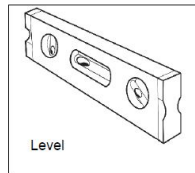
1/2" Wrench



1/2" Socket Wrench



Tape Measure



Level

WARRANTY: OCCOutdoors, Inc. guarantees all items for one full year to be free of defects in workmanship or materials when installed and maintained properly. We agree to repair or replace, any items determined to be defective. Items specifically not covered by this warranty include vandalism, manmade or natural disasters, lack of maintenance, normal weathering or wear and tear due to public abuse.

NOTES:

1. INSTALLATION TO BE COMPLETED IN ACCORDANCE WITH MANUFACTURER'S SPECIFICATIONS.
2. ALL DIMENSIONS ARE CONSIDERED TRUE AND REFLECT MANUFACTURER'S SPECIFICATIONS
3. DO NOT SCALE DRAWING.

This document contains OCC Outdoors Proprietary Information. No intellectual copyright or license is granted by OCC Outdoors in connection with it. It is delivered on the express condition that the document and the information contained in it shall be treated as confidential, shall not be used for and purpose other than that for which it is hereby delivered (the use and maintenance of the product supplied). It shall not be disclosed in whole or part to third parties and shall not be duplicated in any manner without OCC Outdoors's prior approval.

OCC Outdoors Products PH:
1-800-821-7670
EMAIL - occcontact@occoutdoors.com
Fax: 1-317-862-9422

Part #: OCC-940WM-DP15

Date: 01/06/2016

OCC Outdoors 15' Heavy Duty Deluxe Bench with Back, Wall Mount. Perforated Pattern 15" Seat and Back.

▽

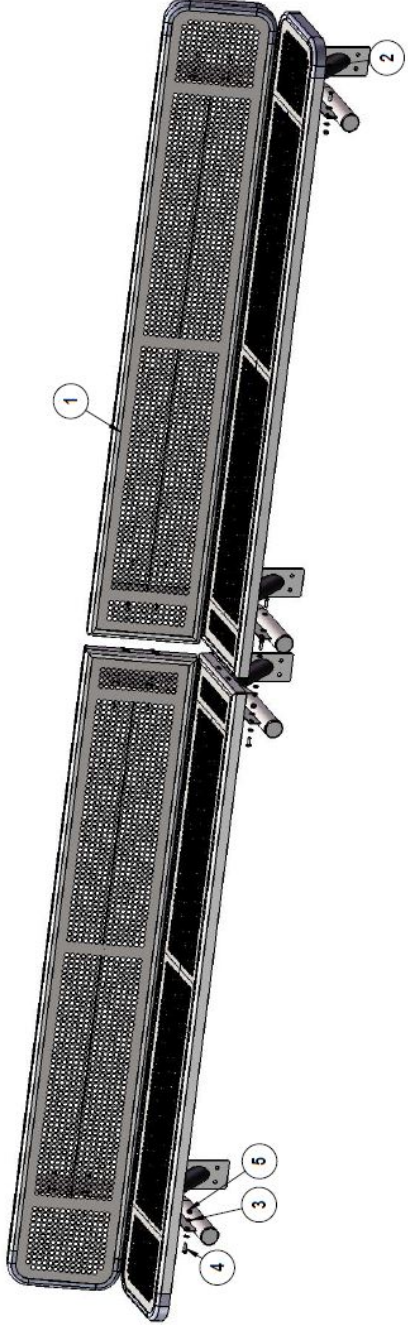
B

A

Assembly Instructions

Step 1

Attach the 15' Seats to the 940 Legs as shown using specified hardware.



Step2

Repeat Step 1 for the back.



8

7

6

5

▽

4

3

2

1

8

7

6

5

↑

4

3

2

1

D

C

D

C

B

A