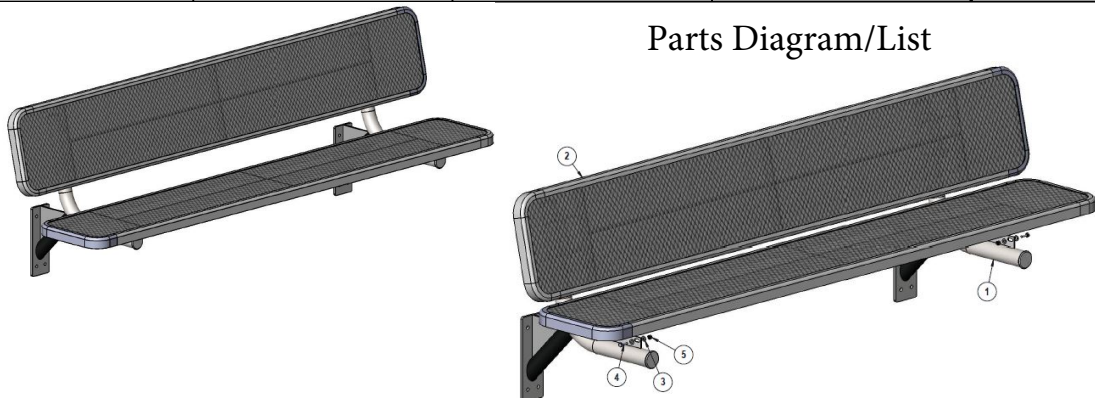
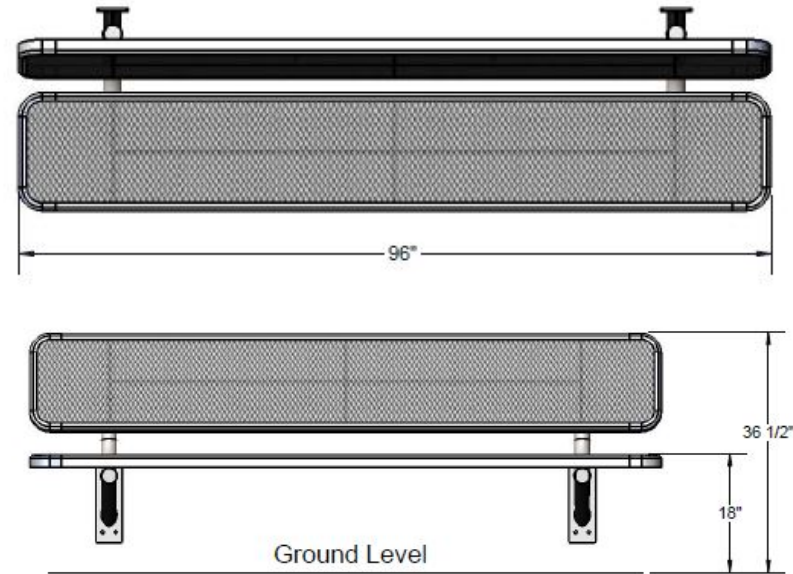


Parts Diagram/List

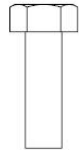


Dimensions



Hardware Included

ITEM NO.	PartNo	DESCRIPTION	QTY
1	P-V940WM	940 Wall Mount Vinyl Leg	2
2	T-DV96-S	8' Expanded Deluxe Seat	2
3	33-02-0007	5/16" SS Washer	16
4	33-05-0029	5/16" x 1" Machine Bolt (SS)	8
5	33-03-0012	5/16" Keps Nut (SS)	8



5/16" x 1" Machine Bolt

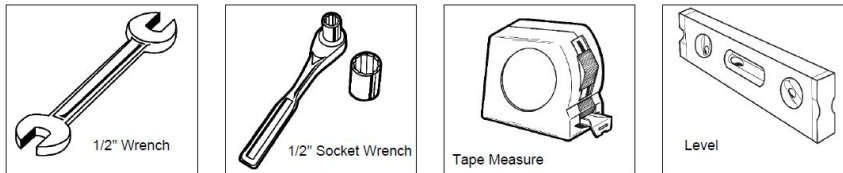


5/16" Washer

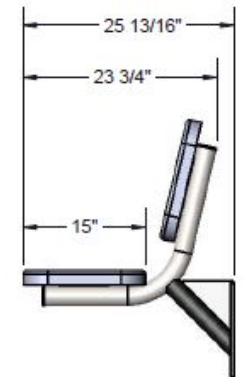


5/16" Keps Nut

Tools Required



Diamond Pattern Example



WARRANTY: OCCOutdoors, Inc. guarantees all items for one full year to be free of defects in workmanship or materials when installed and maintained properly. We agree to repair or replace, any items determined to be defective. Items specifically not covered by this warranty include vandalism, manmade or natural disasters, lack of maintenance, normal weathering or wear and tear due to public abuse.

- NOTES:**
1. INSTALLATION TO BE COMPLETED IN ACCORDANCE WITH MANUFACTURER'S SPECIFICATIONS.
 2. ALL DIMENSIONS ARE CONSIDERED TRUE AND REFLECT MANUFACTURER'S SPECIFICATIONS
 3. DO NOT SCALE DRAWING.

This document contains OCC Outdoors Proprietary Information. No intellectual copyright or license is granted by OCC Outdoors in connection with it. It is delivered on the express condition that the document and the information contained in it shall be treated as confidential, shall not be used for and purpose other than that for which it is hereby delivered (the use and maintenance of the product supplied). It shall not be disclosed in whole or part to third parties and shall not be duplicated in any manner without OCC Outdoors's prior approval.

OCC Outdoors Products PH:
 1-800-821-7670
 EMAIL - occcontact@occoutdoors.com
 Fax: 1-317-862-9422

Part #: OCC-940WM-DV8

Date: 12/23/2015

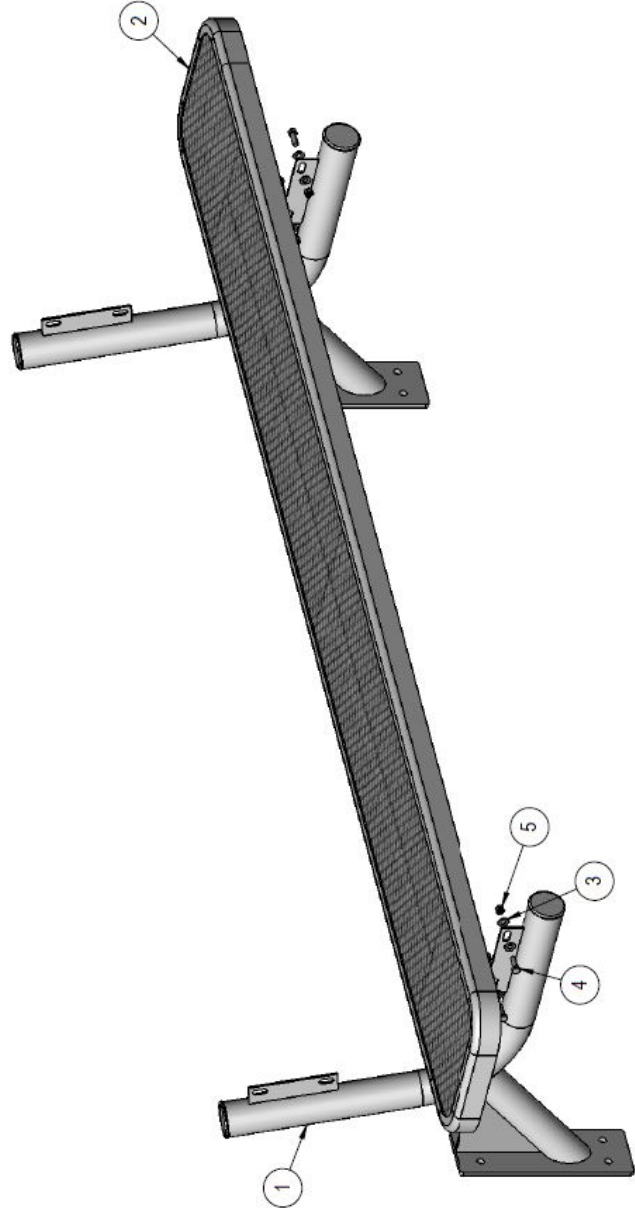
OCC Outdoors 8' Heavy Duty Deluxe Bench, Wall Mount. Diamond Pattern 15" Seat and Back,

A B C D

Assembly Instructions

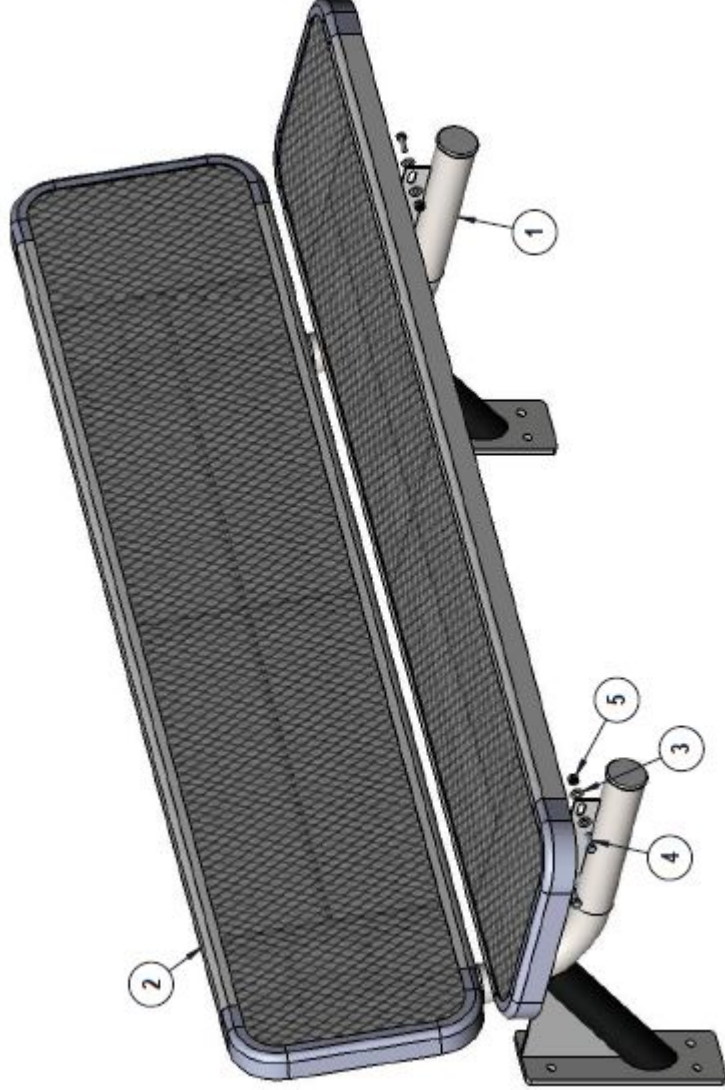
Step 1

Attach the 8' Expanded Deluxe Seat to the 940 legs using specified hardware.



Step 2

Repeat Step 1 for the back.



A

B

C

D

8

7

6

5

4

3

2

1

8

7

6

5

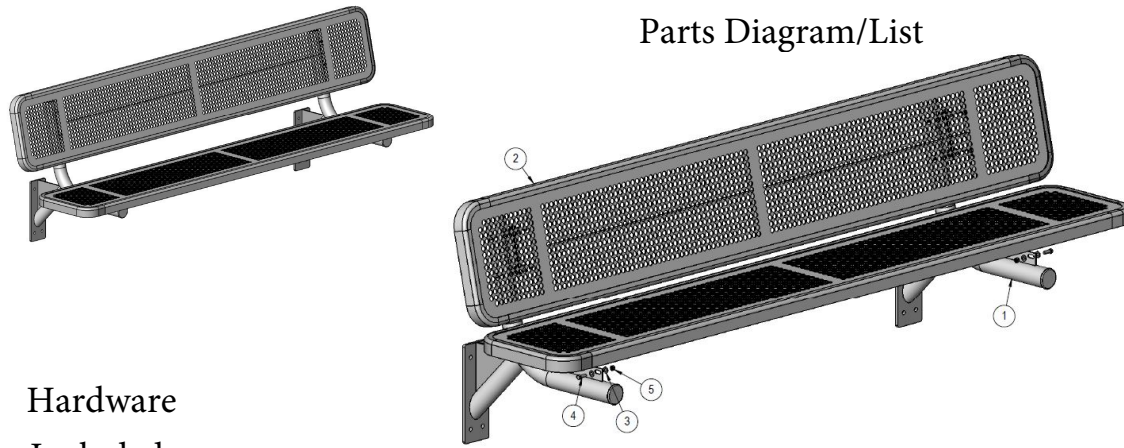
4

3

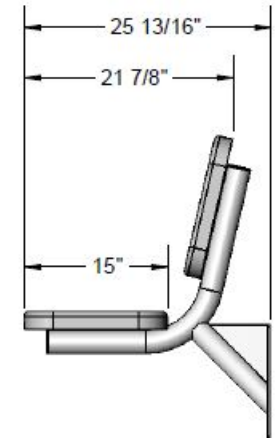
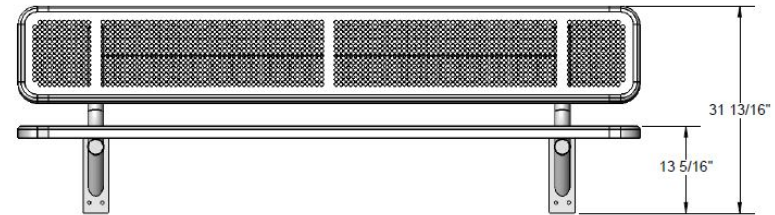
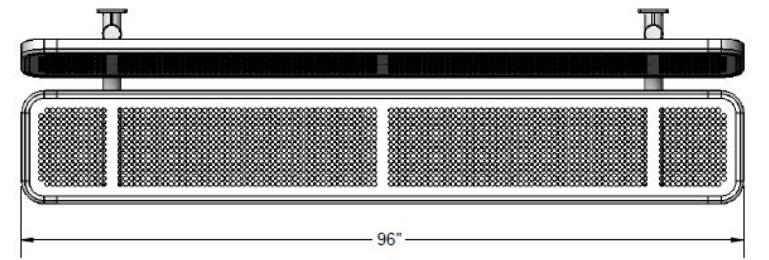
2

1

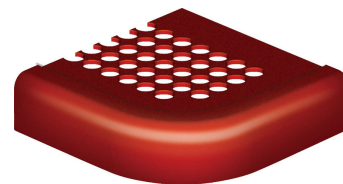
Parts Diagram/List



Dimensions



Perforated Pattern Example



Hardware Included



5/16" x 1" Machine Bolt



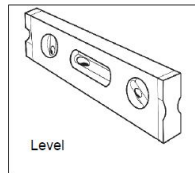
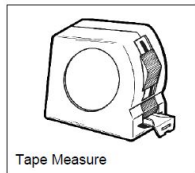
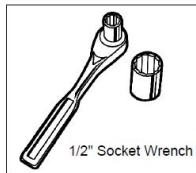
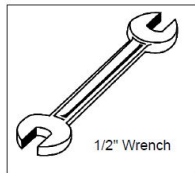
5/16" Washer



5/16" Kep Nut

ITEM NO.	PartNo	DESCRIPTION	QTY
1	P-V940WM	940 Wall Mount Vinyl Leg	2
2	T-DP96-S	8' Punched Deluxe Seat	2
3	33-02-0007	5/16" Flat Washer (SS)	16
4	33-05-0029	5/16" x 1" Machine Bolt (SS)	8
5	33-03-0012	5/16" Kep Nut (SS)	8

Tools Required



WARRANTY: OCCOutdoors, Inc. guarantees all items for one full year to be free of defects in workmanship or materials when installed and maintained properly. We agree to repair or replace, any items determined to be defective. Items specifically not covered by this warranty include vandalism, manmade or natural disasters, lack of maintenance, normal weathering or wear and tear due to public abuse.

NOTES:

1. INSTALLATION TO BE COMPLETED IN ACCORDANCE WITH MANUFACTURER'S SPECIFICATIONS.
2. ALL DIMENSIONS ARE CONSIDERED TRUE AND REFLECT MANUFACTURER'S SPECIFICATIONS
3. DO NOT SCALE DRAWING.

This document contains OCC Outdoors Proprietary Information. No intellectual copyright or license is granted by OCC Outdoors in connection with it. It is delivered on the express condition that the document and the information contained in it shall be treated as confidential, shall not be used for and purpose other than that for which it is hereby delivered (the use and maintenance of the product supplied). It shall not be disclosed in whole or part to third parties and shall not be duplicated in any manner without OCC Outdoors's prior approval.

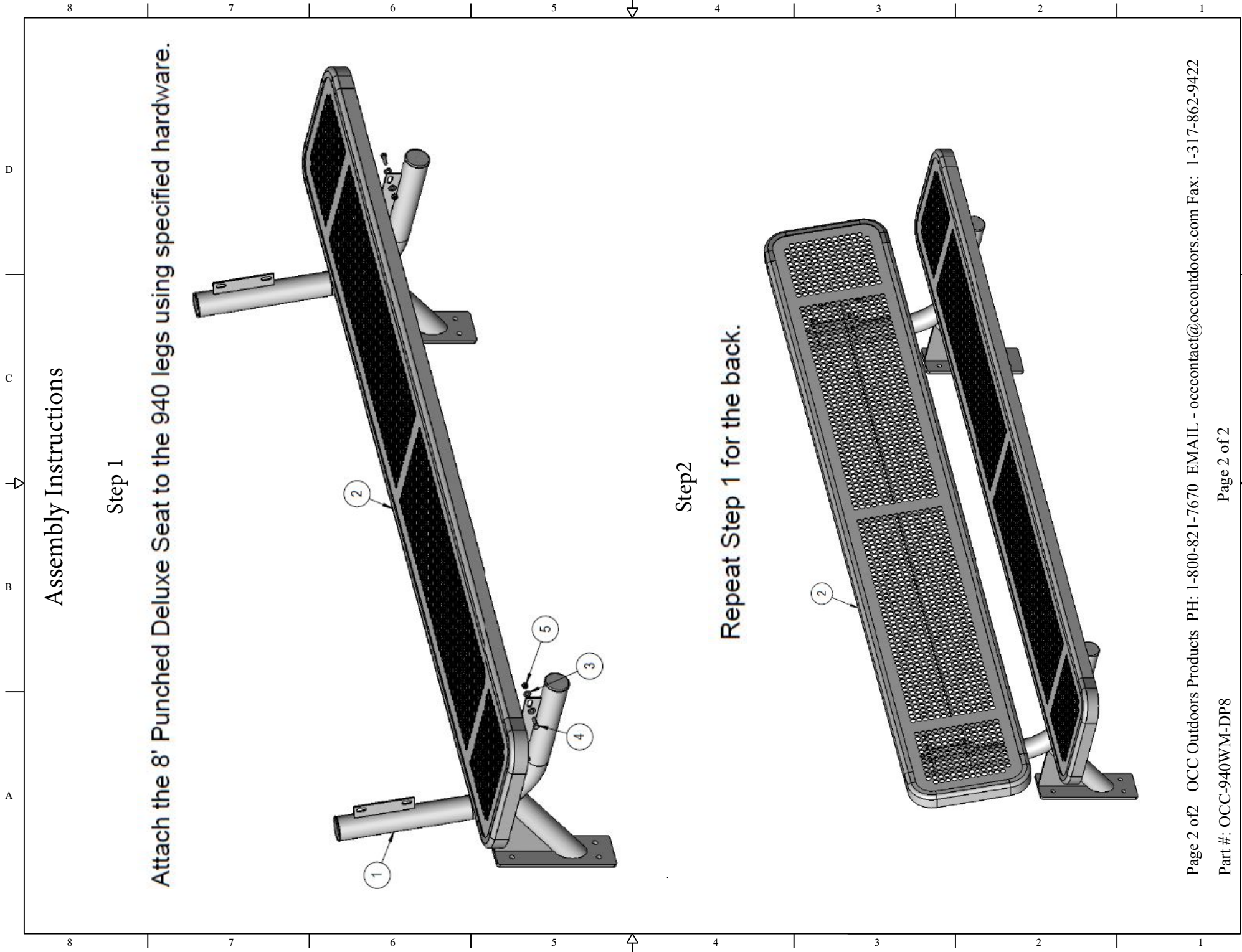
OCC Outdoors Products PH:
1-800-821-7670
EMAIL - occcontact@occoutdoors.com
Fax: 1-317-862-9422

OCC Outdoors 8' Heavy Duty
Deluxe Bench with Back, Wall
Mount. Perforated Pattern 15"
Seat and Back.

Part #: OCC-940WM-DP8

Date: 01/06/2016

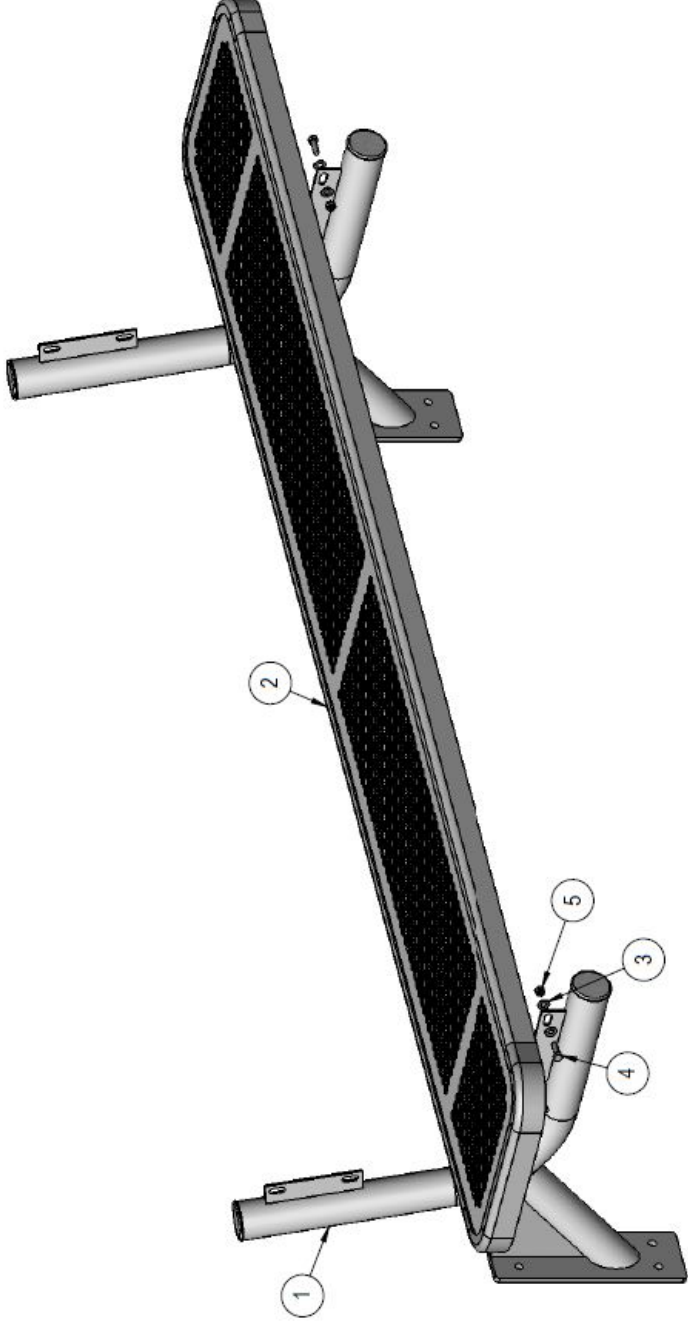
Page 1 of 2



Assembly Instructions

Step 1

Attach the 8' Punched Deluxe Seat to the 940 legs using specified hardware.



Step2

Repeat Step 1 for the back.

