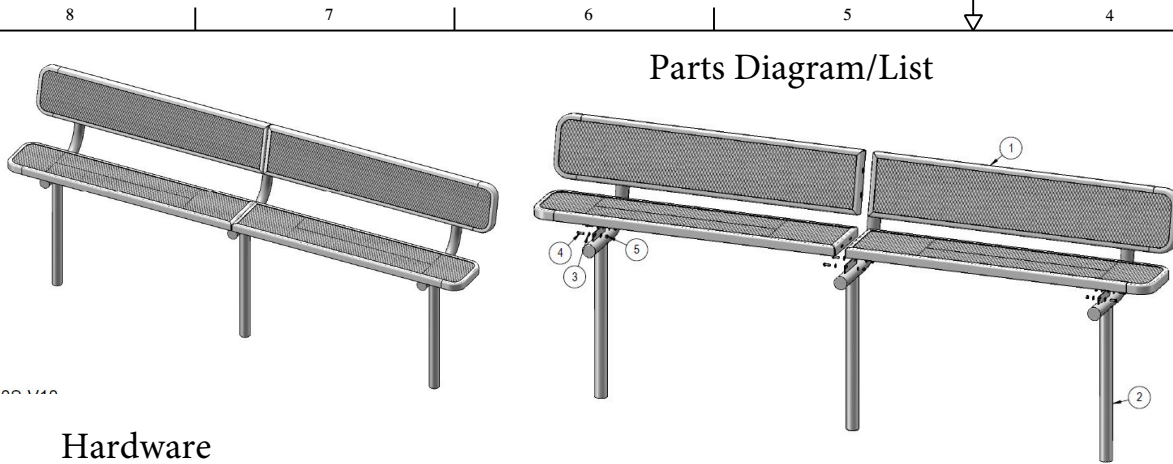
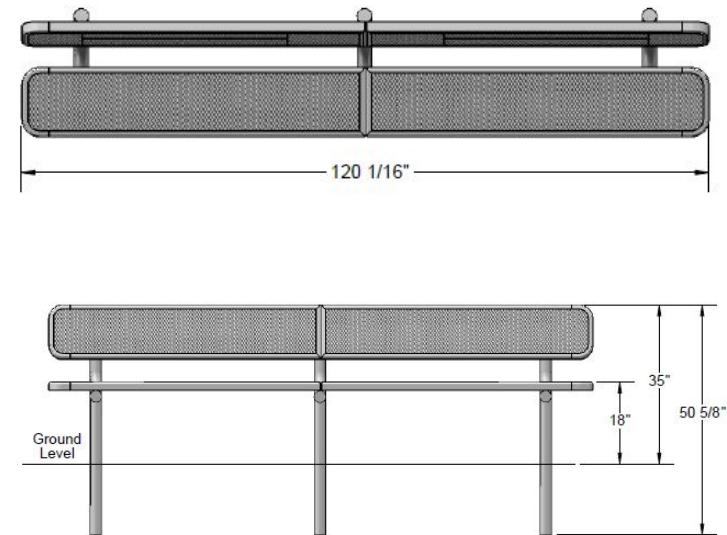


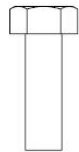
## Parts Diagram/List



## Dimensions



## Hardware Included



5/16" x 1"  
Machine Bolt



5/16" Washer



5/16" Keps Nut

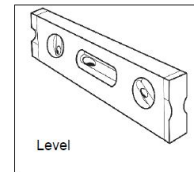
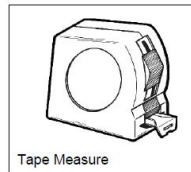
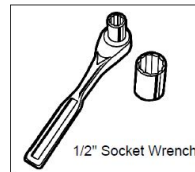
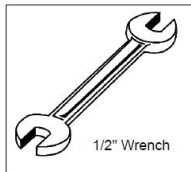
### Assembly Step 1:

Attach the 10' Seats to the 940 Legs as shown using specified hardware.

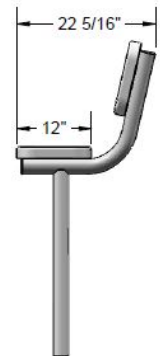
Step 2: Repeat Step 1 for the back.

ITEM NO.	PartNo	DESCRIPTION	QTY
1	T-V60-S	10' Expanded Seat (1/2)	4
2	P-V940S	940 In Ground Leg	3
3	33-02-0007	5/16" Flat Washer (SS)	24
4	33-05-0029	5/16" x 1" Machine Bolt (SS)	12
5	33-03-0012	5/16" Keps Nut (SS)	12

## Tools Required



## Diamond Pattern Example



**WARRANTY:** OCCOutdoors, Inc. guarantees all items for one full year to be free of defects in workmanship or materials when installed and maintained properly. We agree to repair or replace, any items determined to be defective. Items specifically not covered by this warranty include vandalism, manmade or natural disasters, lack of maintenance, normal weathering or wear and tear due to public abuse.

### NOTES:

1. INSTALLATION TO BE COMPLETED IN ACCORDANCE WITH MANUFACTURER'S SPECIFICATIONS.
2. ALL DIMENSIONS ARE CONSIDERED TRUE AND REFLECT MANUFACTURER'S SPECIFICATIONS.
3. DO NOT SCALE DRAWING.

This document contains OCC Outdoors Proprietary Information. No intellectual copyright or license is granted by OCC Outdoors in connection with it. It is delivered on the express condition that the document and the information contained in it shall be treated as confidential, shall not be used for and purpose other than that for which it is hereby delivered (the use and maintenance of the product supplied). It shall not be disclosed in whole or part to third parties and shall not be duplicated in any manner without OCC Outdoors's prior approval.

OCC Outdoors Products

PH: 1-800-821-7670

EMAIL - occcontact@occoutdoors.com

Fax: 1-317-862-9422

Part #: OCC-940S-V10

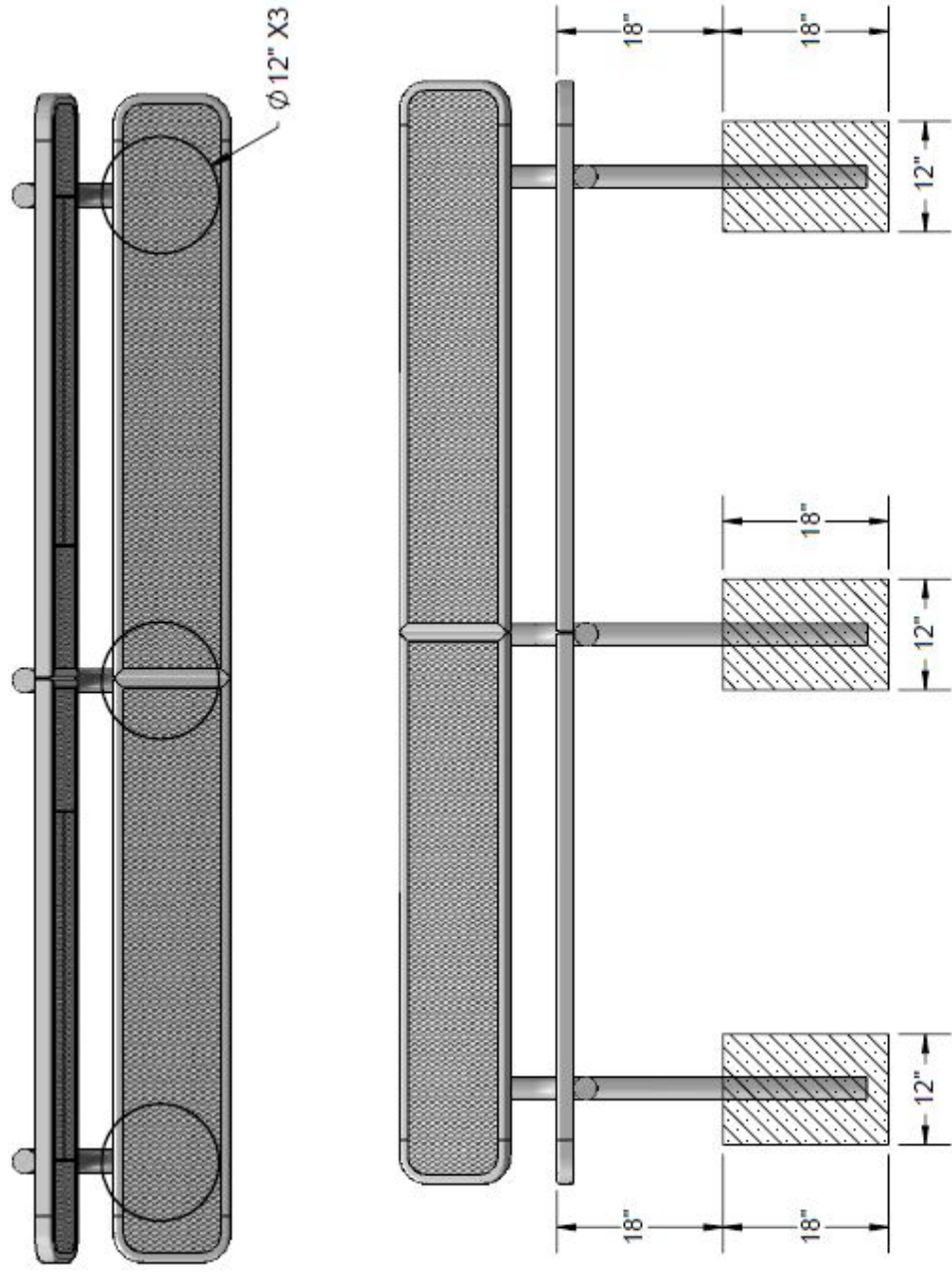
Date: 12/23/2015

OCC Outdoors 10 Heavy  
Duty Bench, In-Ground  
Mount. Diamond Pattern  
12" Seat and Back,

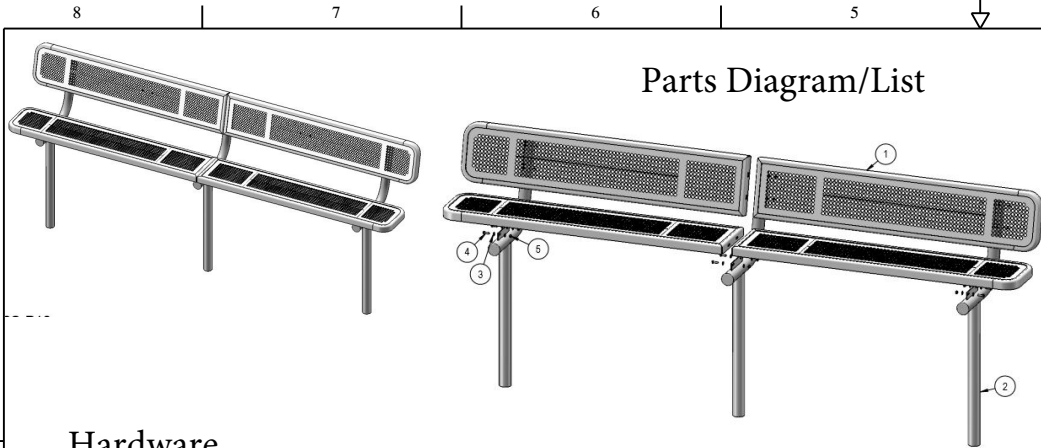
Page 1 of 2

# Footing Instructions

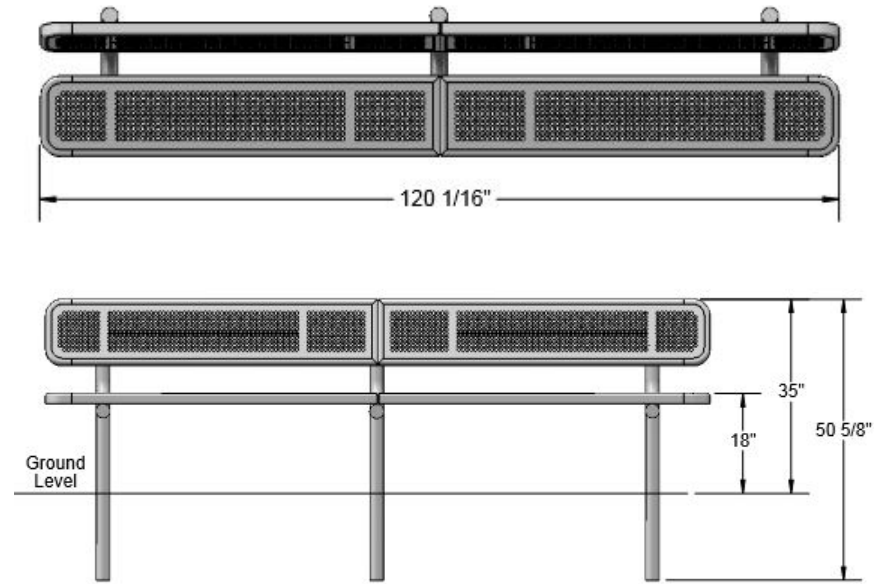
**Estimated Required Concrete:  
10 - 50lb Bags of Concrete Mix**



### Parts Diagram/List

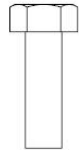


### Dimensions



### Hardware Included

ITEM NO.	PartNo	DESCRIPTION	QTY
1	T-P60-S	10' Punched Seat (1/2)	4
2	P-V940S	940 In Ground Leg	3
3	33-02-0007	5/16" Flat Washer (SS)	24
4	33-05-0029	5/16" x 1" Machine Bolt (SS)	12
5	33-03-0012	5/16" Kep Nut (SS)	12



5/16" x 1" Machine Bolt

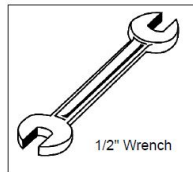


5/16" Washer

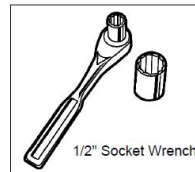


5/16" Kep Nut

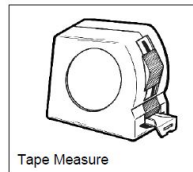
### Tools Required



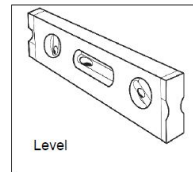
1/2" Wrench



1/2" Socket Wrench

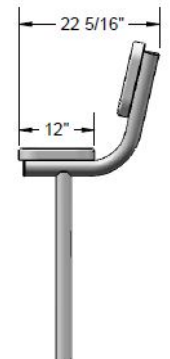
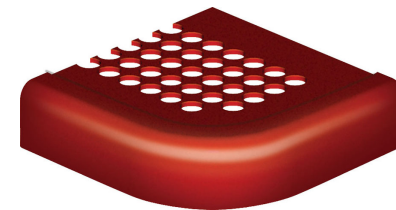


Tape Measure



Level

### Perforated Pattern Example



**WARRANTY:** OCCOutdoors, Inc. guarantees all items for one full year to be free of defects in workmanship or materials when installed and maintained properly. We agree to repair or replace, any items determined to be defective. Items specifically not covered by this warranty include vandalism, manmade or natural disasters, lack of maintenance, normal weathering or wear and tear due to public abuse.

**NOTES:**

1. INSTALLATION TO BE COMPLETED IN ACCORDANCE WITH MANUFACTURER'S SPECIFICATIONS.
2. ALL DIMENSIONS ARE CONSIDERED TRUE AND REFLECT MANUFACTURER'S SPECIFICATIONS
3. DO NOT SCALE DRAWING.

This document contains OCC Outdoors Proprietary Information. No intellectual copyright or license is granted by OCC Outdoors in connection with it. It is delivered on the express condition that the document and the information contained in it shall be treated as confidential, shall not be used for and purpose other than that for which it is hereby delivered (the use and maintenance of the product supplied). It shall not be disclosed in whole or part to third parties and shall not be duplicated in any manner without OCC Outdoors's prior approval.

**OCC Outdoors Products**  
 PH: 1-800-821-7670  
 EMAIL - occcontact@occoutdoors.com  
 Fax: 1-317-862-9422

**Part #: OCC-940S-P10**

Date: 12/22/2015

**OCC Outdoors 10' Heavy Duty Bench, In-Ground Mount. Perforated Pattern 12" Seat and Back,**

A

B

C

D

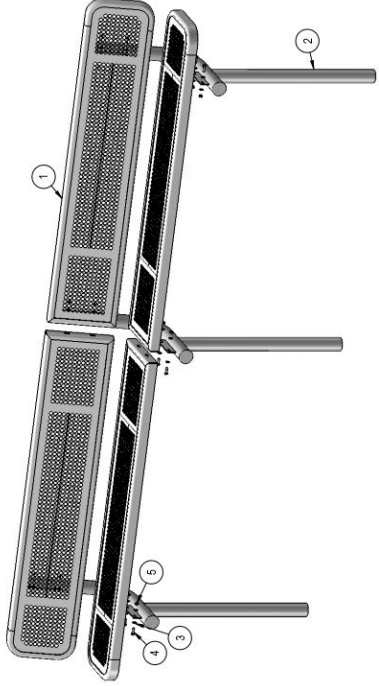
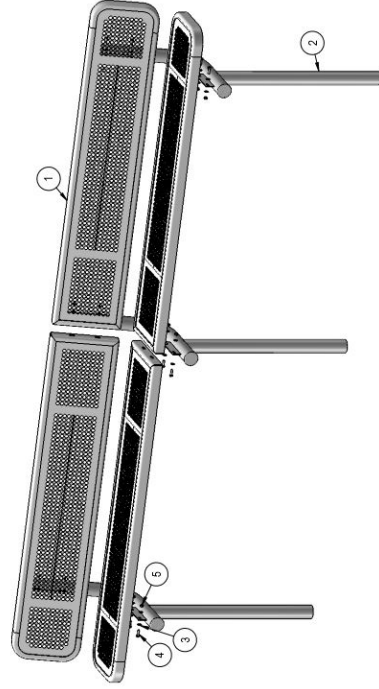
### Step 1

### Assembly Instructions

### Step 2

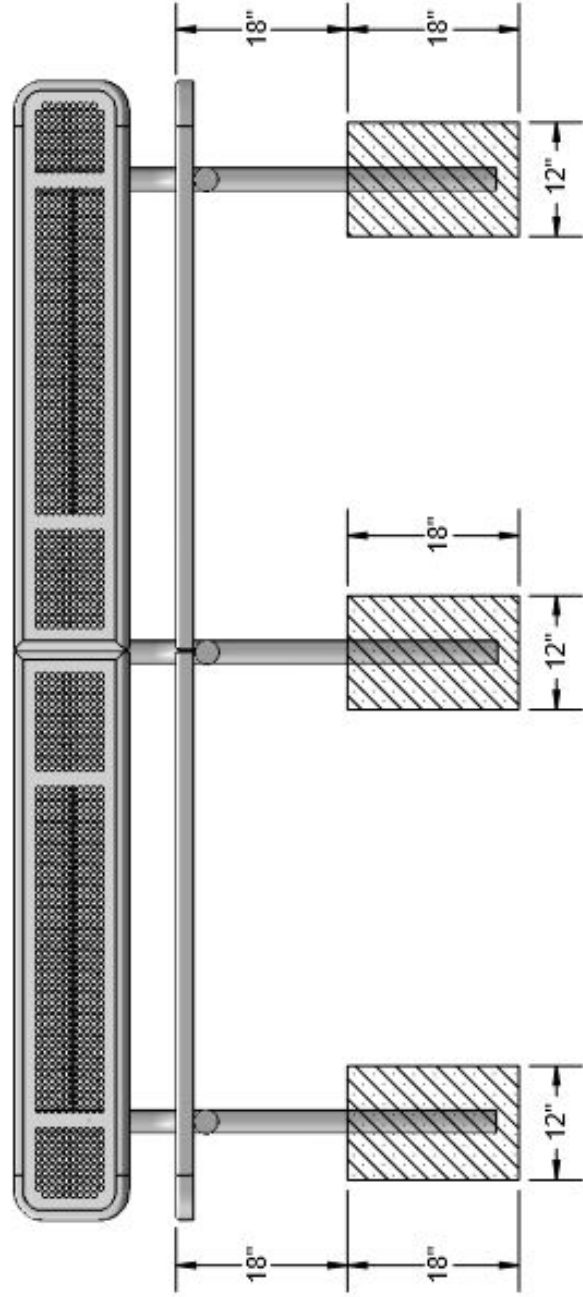
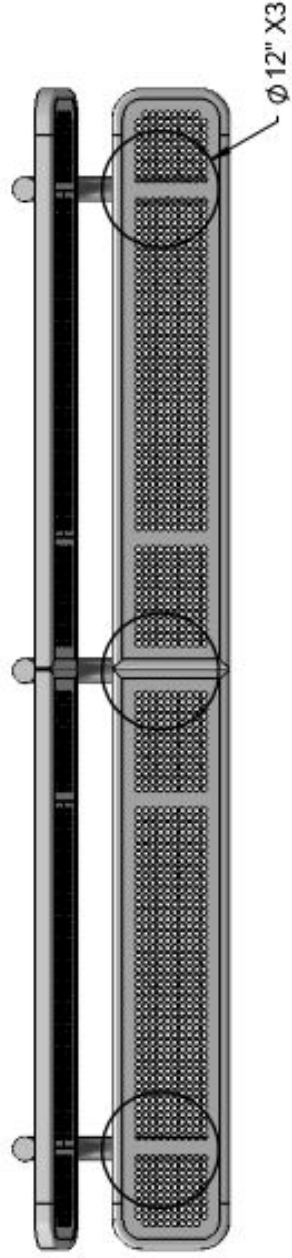
Attach the 10' Seats to the 940 Legs as shown using specified hardware.

Repeat Step 1 for the back.



### Footing Instructions

**Estimated Required Concrete:  
10 - 50lb Bags of Concrete Mix**



8

7

6

5

4

3

2

1

8

7

6

5

4

3

2

1

A

B

C

D