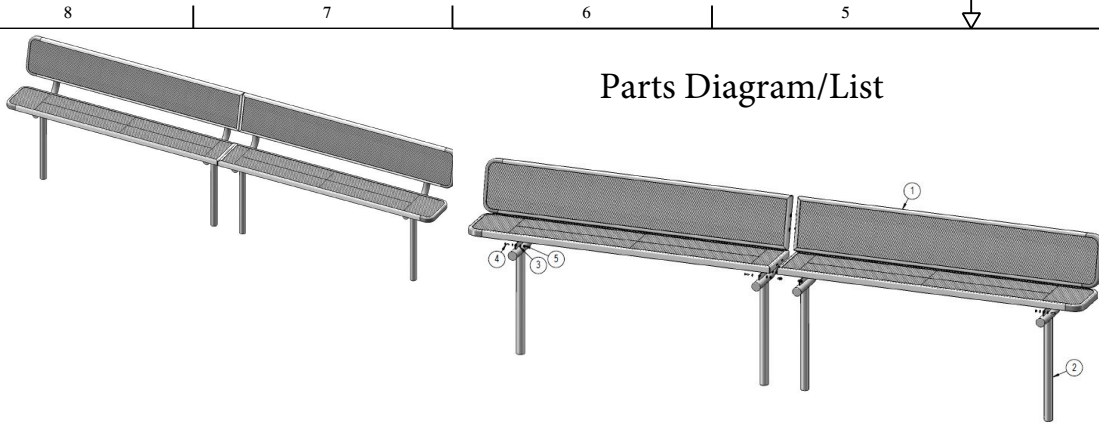
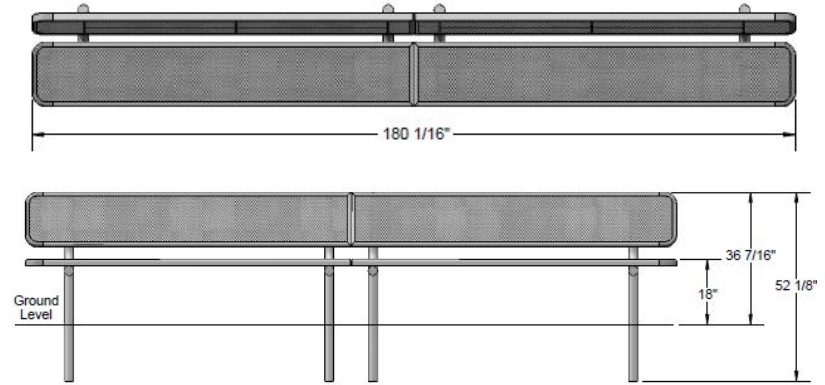


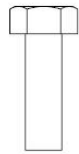
Parts Diagram/List



Dimensions



Hardware Included



5/16" x 1" Machine Bolt



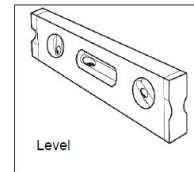
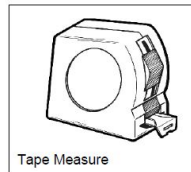
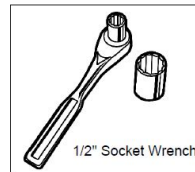
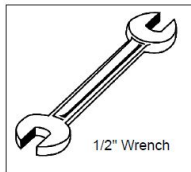
5/16" Washer



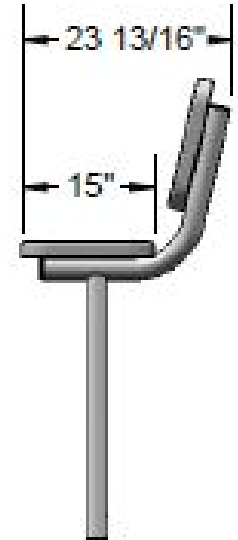
5/16" Kep Nut

ITEM NO.	PartNo	DESCRIPTION	QTY
1	T-DV90-S	15' Deluxe Expanded Seat (1/2)	4
2	P-V940S	940 In Ground Leg	4
3	33-02-0007	5/16" Flat Washer (SS)	40
4	33-05-0029	5/16" x 1" Machine Bolt (SS)	20
5	33-03-0012	5/16" Kep Nut (SS)	20

Tools Required



Diamond Pattern Example



WARRANTY: OCCOutdoors, Inc. guarantees all items for one full year to be free of defects in workmanship or materials when installed and maintained properly. We agree to repair or replace, any items determined to be defective. Items specifically not covered by this warranty include vandalism, manmade or natural disasters, lack of maintenance, normal weathering or wear and tear due to public abuse.

NOTES:

1. INSTALLATION TO BE COMPLETED IN ACCORDANCE WITH MANUFACTURER'S SPECIFICATIONS.
2. ALL DIMENSIONS ARE CONSIDERED TRUE AND REFLECT MANUFACTURER'S SPECIFICATIONS
3. DO NOT SCALE DRAWING.

This document contains OCC Outdoors Proprietary Information. No intellectual copyright or license is granted by OCC Outdoors in connection with it. It is delivered on the express condition that the document and the information contained in it shall be treated as confidential, shall not be used for and purpose other than that for which it is hereby delivered (the use and maintenance of the product supplied). It shall not be disclosed in whole or part to third parties and shall not be duplicated in any manner without OCC Outdoors's prior approval.

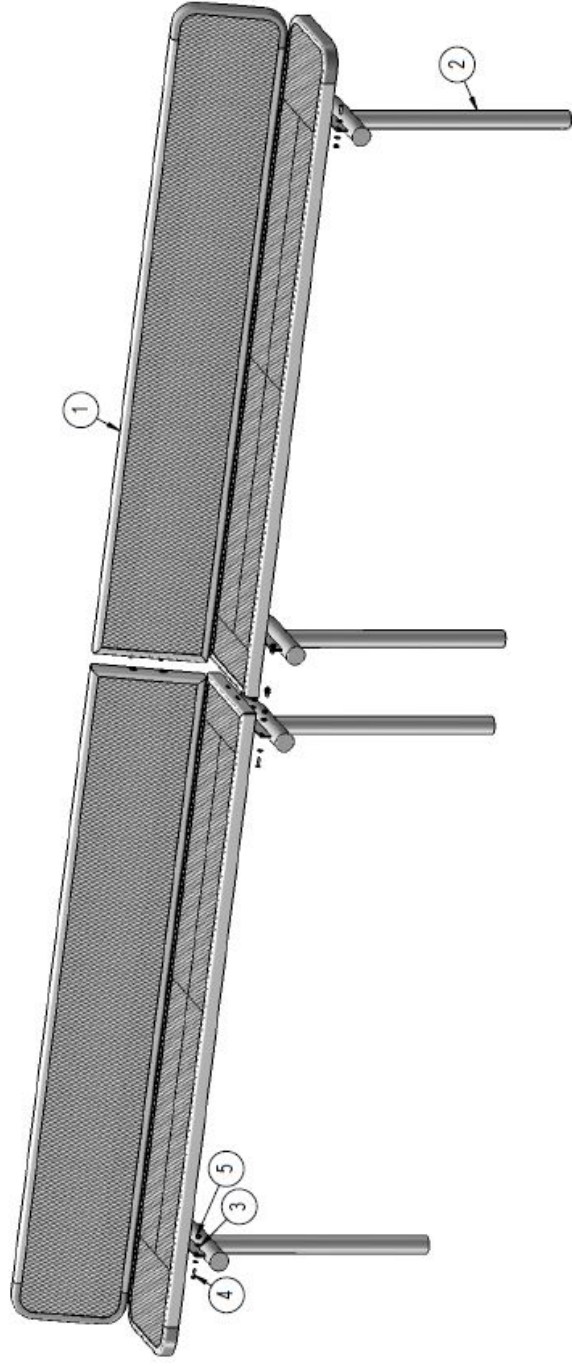
OCC Outdoors Products PH:
 1-800-821-7670
 EMAIL - occcontact@occoutdoors.com
 Fax: 1-317-862-9422

Part #: OCC-940S-DV15

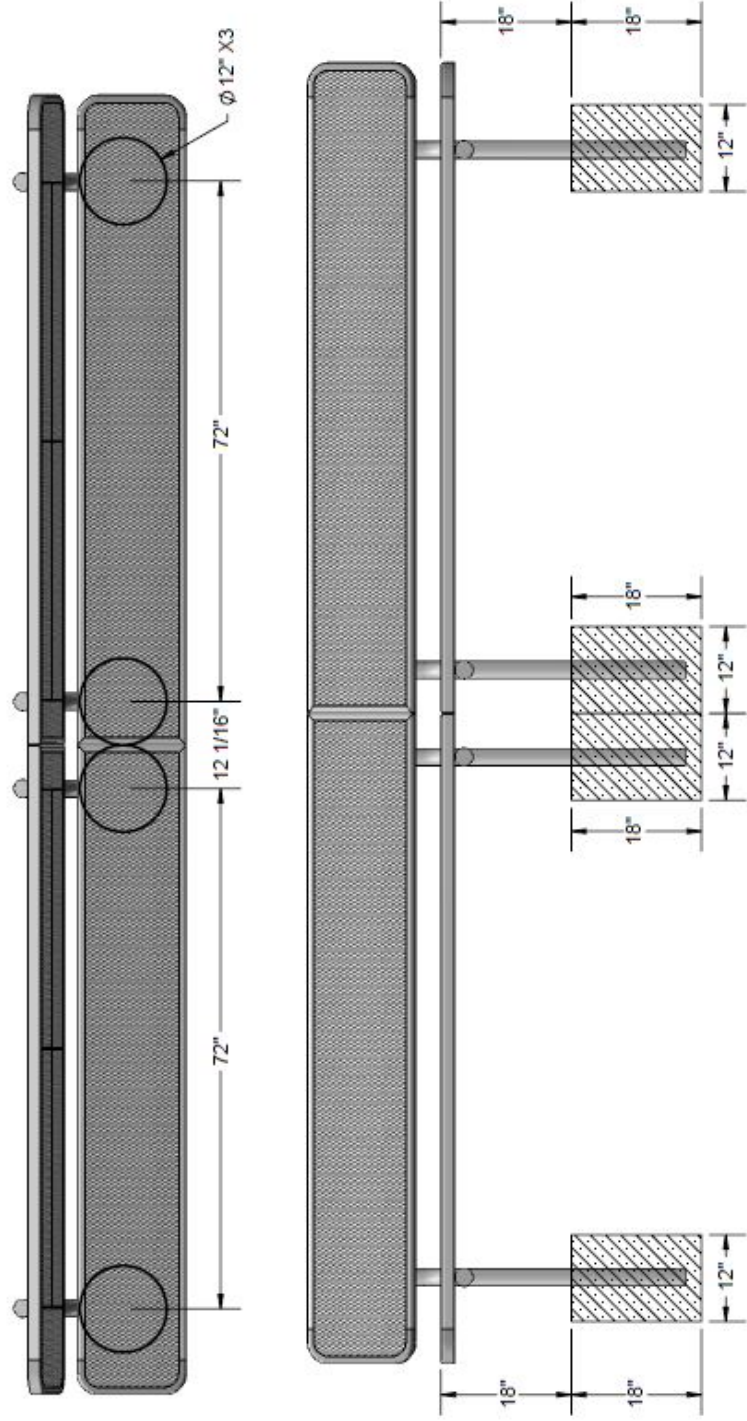
OCC Outdoors 15' Heavy Duty Deluxe Bench, In-Ground Mount. Diamond Pattern 15" Seat and Back,

Assembly Instructions

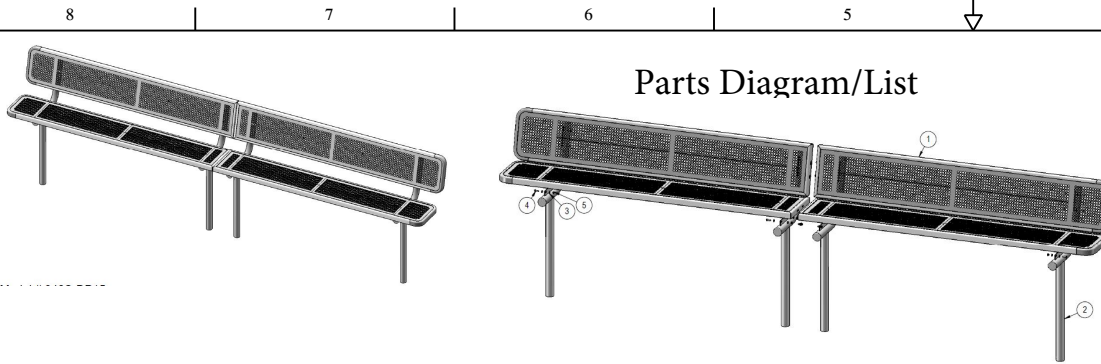
- Step 1:** Attach the 15' Seats to the 940 Legs as shown using specified hardware.
- Step 2:** Repeat Step 1 for the back.



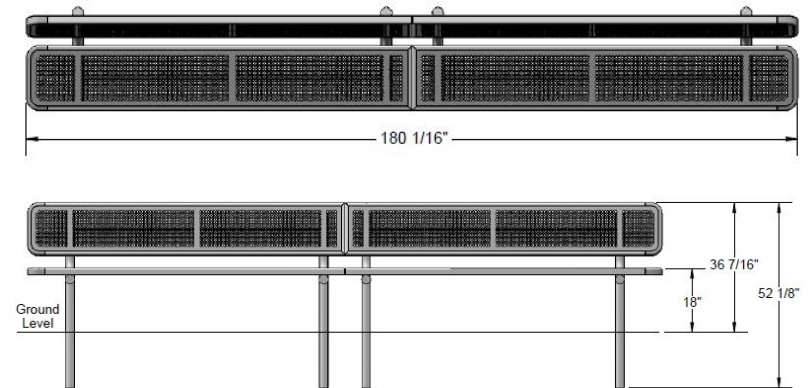
**Estimated Required Concrete:
13 - 50lb Bags of Concrete Mix**



Parts Diagram/List

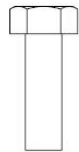


Dimensions



Hardware Included

ITEM NO.	PartNo	DESCRIPTION	QTY
1	T-DP90-S	15' Deluxe Punched Seat (1/2)	4
2	P-V940S	940 In Ground Leg	4
3	33-02-0007	5/16" Flat Washer (SS)	40
4	33-05-0029	5/16" x 1" Machine Bolt (SS)	20
5	33-03-0012	5/16" Kep Nut (SS)	20



5/16" x 1" Machine Bolt

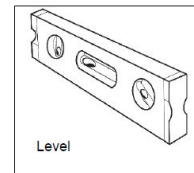
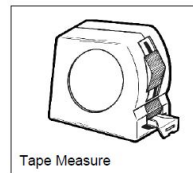
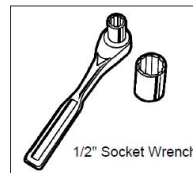
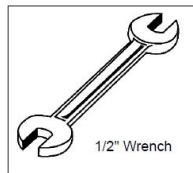


5/16" Washer

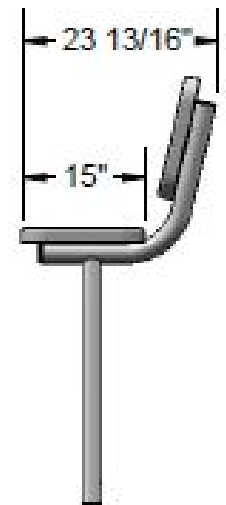
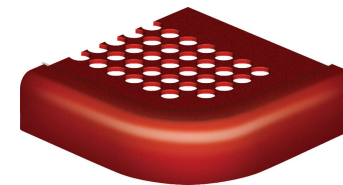


5/16" Kep Nut

Tools Required



Perforated Pattern Example



WARRANTY: OCCOutdoors, Inc. guarantees all items for one full year to be free of defects in workmanship or materials when installed and maintained properly. We agree to repair or replace, any items determined to be defective. Items specifically not covered by this warranty include vandalism, manmade or natural disasters, lack of maintenance, normal weathering or wear and tear due to public abuse.

NOTES:

1. INSTALLATION TO BE COMPLETED IN ACCORDANCE WITH MANUFACTURER'S SPECIFICATIONS.
2. ALL DIMENSIONS ARE CONSIDERED TRUE AND REFLECT MANUFACTURER'S SPECIFICATIONS
3. DO NOT SCALE DRAWING.

This document contains OCC Outdoors Proprietary Information. No intellectual copyright or license is granted by OCC Outdoors in connection with it. It is delivered on the express condition that the document and the information contained in it shall be treated as confidential, shall not be used for and purpose other than that for which it is hereby delivered (the use and maintenance of the product supplied). It shall not be disclosed in whole or part to third parties and shall not be duplicated in any manner without OCC Outdoors's prior approval.

OCC Outdoors Products
 PH: 1-800-821-7670
 EMAIL - occcontact@occoutdoors.com
 Fax: 1-317-862-9422

Part #: OCC-940S-DP15

Date: 12/22/2015

OCC Outdoors 15' Heavy Duty
 Deluxe Bench, In-Ground
 Mount. Perforated Pattern 15"
 Seat and Back,

Page 1 of 2

D

C

B

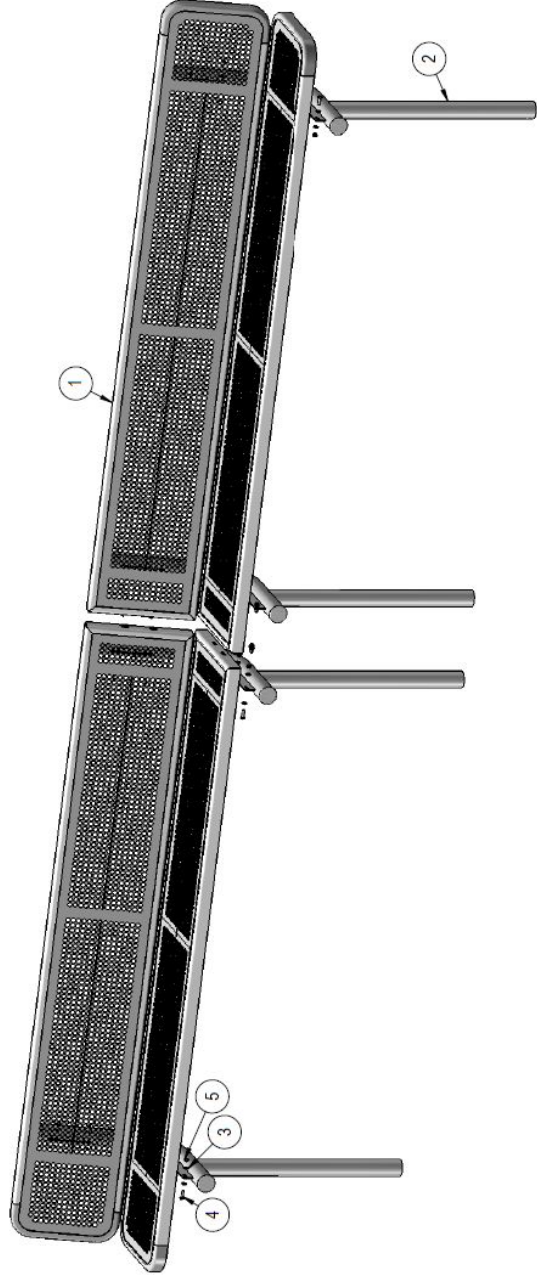
A

Step 1

Assembly Instructions

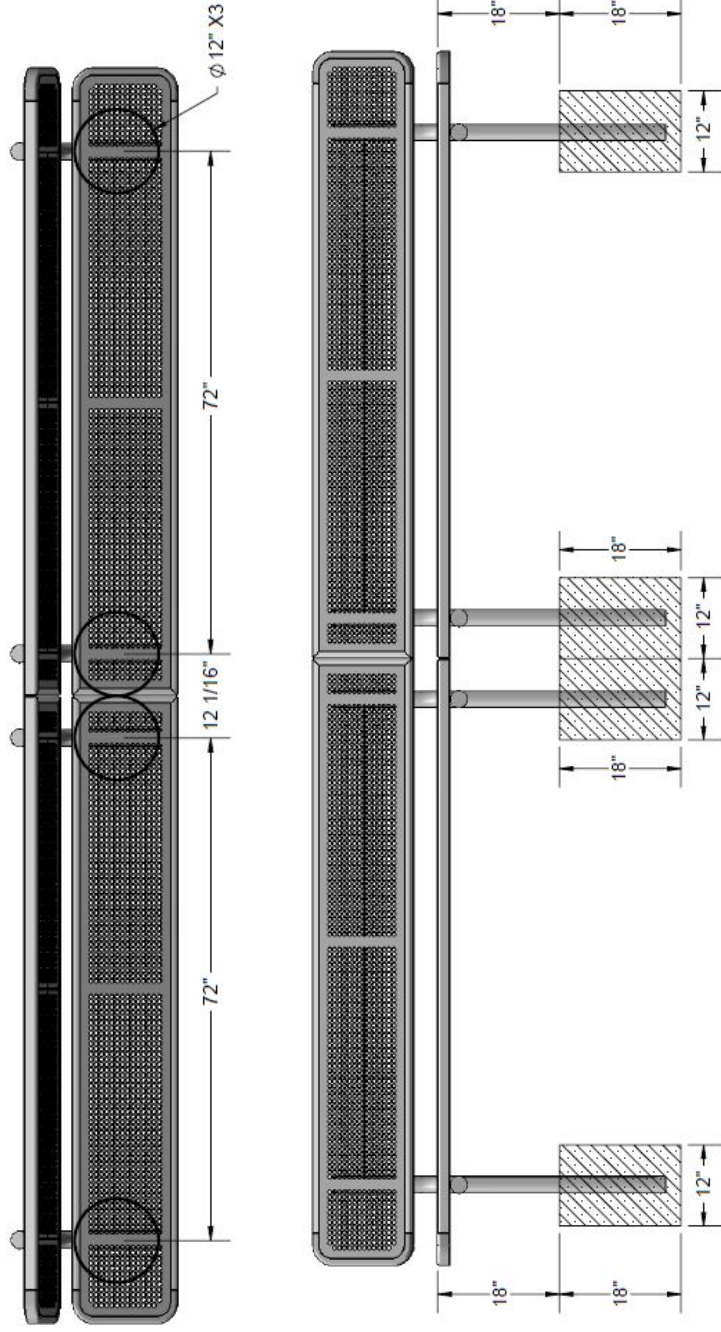
Step 2

Attach the 15' Seats to the 940 Legs as shown using specified hardware. Repeat Step 1 for the back.



Footing Instructions

**Estimated Required Concrete:
13 - 50lb Bags of Concrete Mix**



A

B

C

D

8

7

6

5

4

3

2

1

8

7

6

5

4

3

2

1