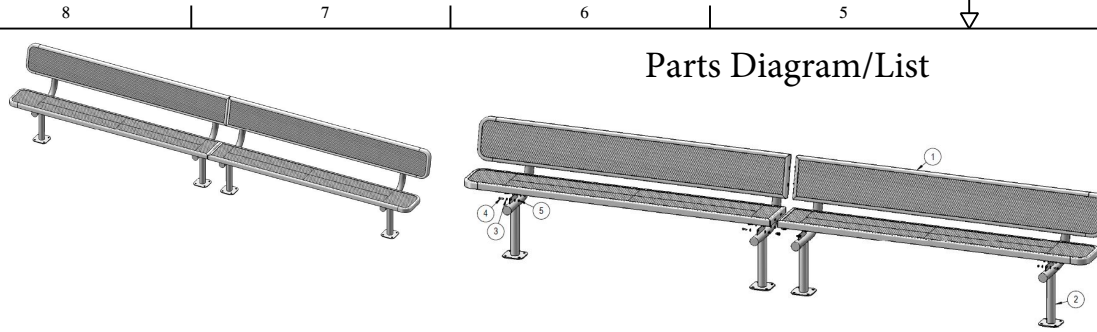
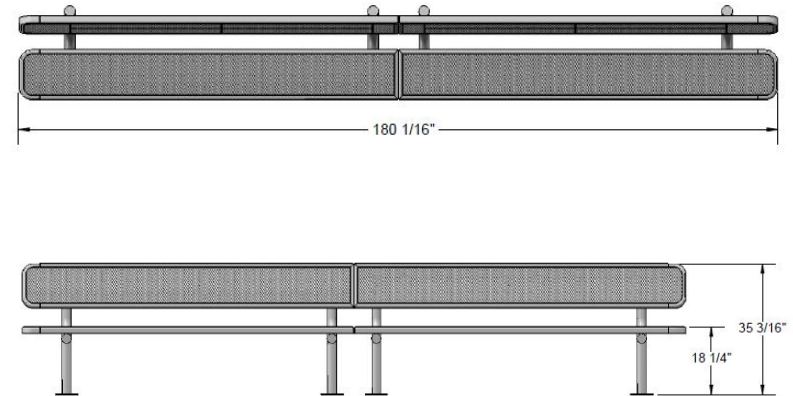


Parts Diagram/List



Dimensions



ITEM NO.	PartNo	DESCRIPTION	QTY
1	T-V90-S	15' Expanded Seat (1/2)	4
2	P-V940SM	940 Surface Mount Leg	4
3	33-02-0007	5/16" Flat Washer (SS)	40
4	33-05-0029	5/16" x 1" Machine Bolt (SS)	20
5	33-03-0012	5/16" Kep Nut (SS)	20

Hardware Included



5/16" x 1" Machine Bolt



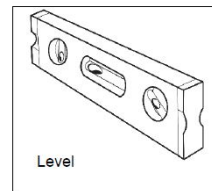
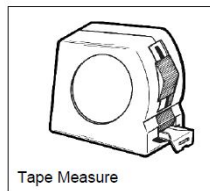
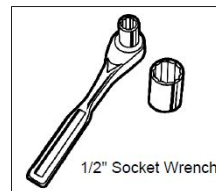
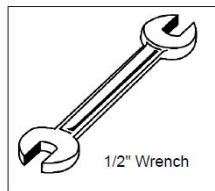
5/16" Washer



5/16" Kep Nut

Recommended Surface Mount Hardware:
3/8" x 3-1/2" Concrete Expansion Anchor Bolts
 (Not Included)

Tools Required



Diamond Pattern Example



WARRANTY: OCCOutdoors, Inc. guarantees all items for one full year to be free of defects in workmanship or materials when installed and maintained properly. We agree to repair or replace, any items determined to be defective. Items specifically not covered by this warranty include vandalism, manmade or natural disasters, lack of maintenance, normal weathering or wear and tear due to public abuse.

NOTES:

1. INSTALLATION TO BE COMPLETED IN ACCORDANCE WITH MANUFACTURER'S SPECIFICATIONS.
2. ALL DIMENSIONS ARE CONSIDERED TRUE AND REFLECT MANUFACTURER'S SPECIFICATIONS
3. DO NOT SCALE DRAWING.

This document contains OCC Outdoors Proprietary Information. No intellectual copyright or license is granted by OCC Outdoors in connection with it. It is delivered on the express condition that the document and the information contained in it shall be treated as confidential, shall not be used for and purpose other than that for which it is hereby delivered (the use and maintenance of the product supplied). It shall not be disclosed in whole or part to third parties and shall not be duplicated in any manner without OCC Outdoors's prior approval.

OCC Outdoors Products PH:

1-800-821-7670

EMAIL - occcontact@occoutdoors.com Fax:

1-317-862-9422

Part #: OCC-940SM-V15

Date: 12/23/2015

OCC Outdoors 15'
 Heavy Duty Surface
 Mount Bench,
 Diamond Pattern 12"
 Seat and Back,

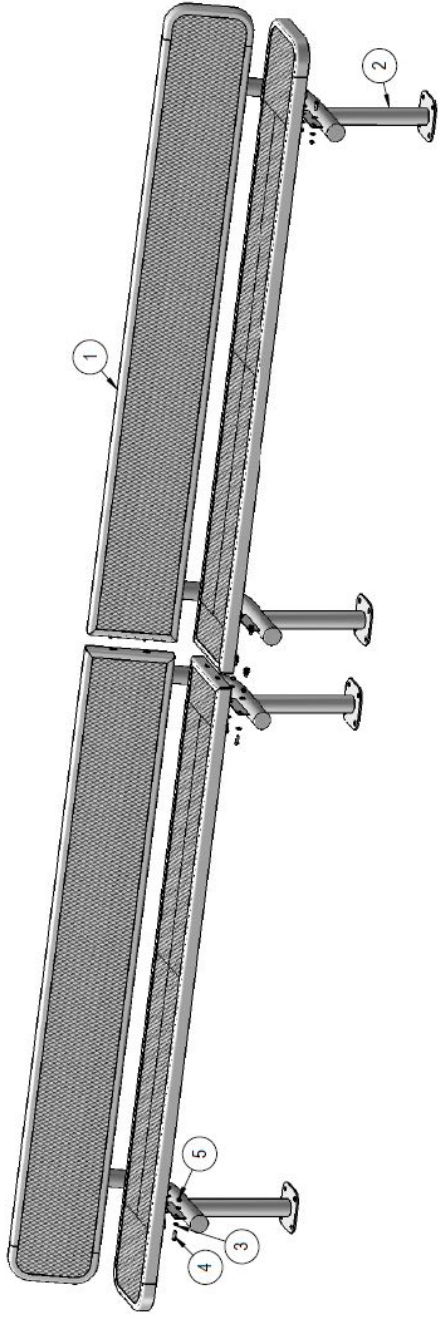
Page 1 of 2

A B C D

Assembly Instructions

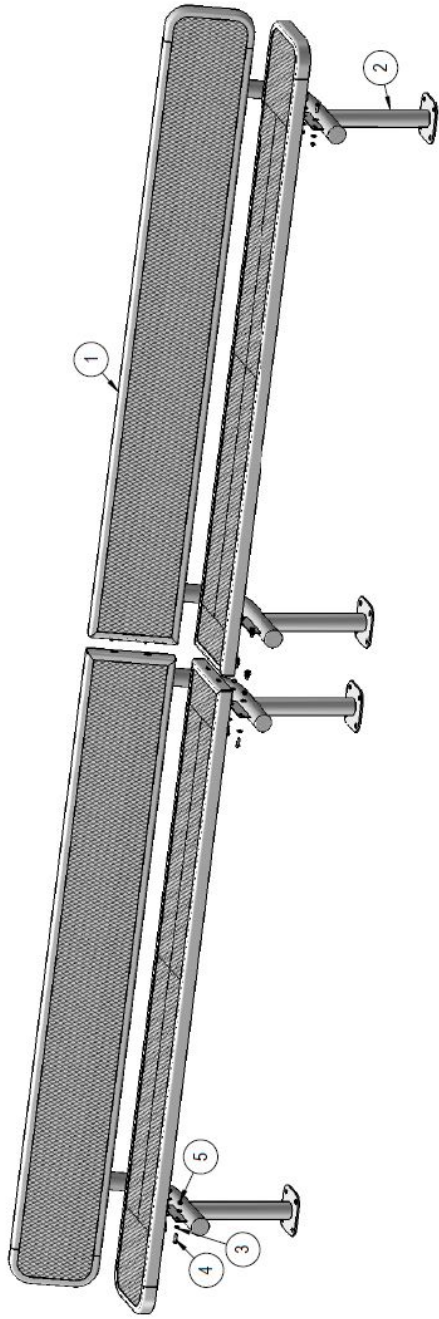
Step 1

Attach the 15' Seats to the 940 Legs as shown using specified hardware.



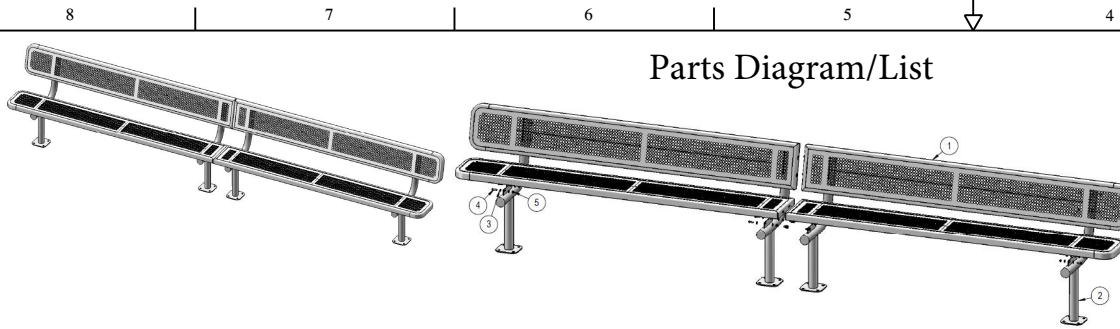
Step 2

Repeat Step 1 for the back.

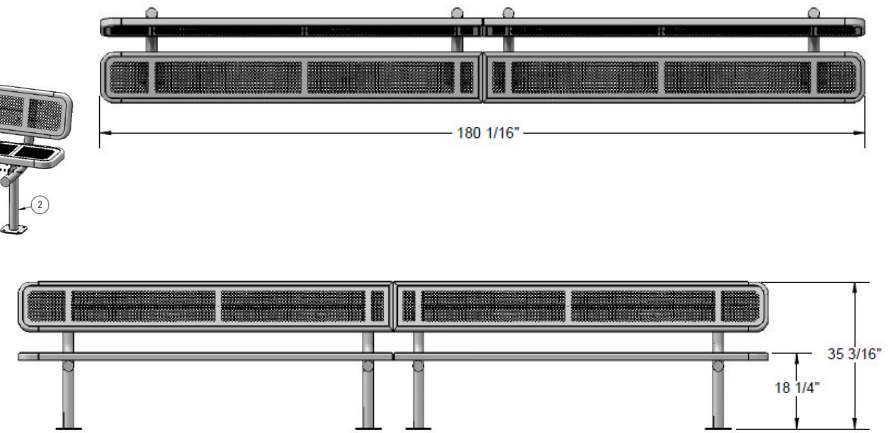


A B C D

Parts Diagram/List

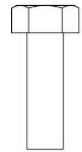


Dimensions



Hardware Included

ITEM NO.	PartNo	DESCRIPTION	QTY
1	T-P90-S	15' Punched Seat (1/2)	4
2	P-V940SM	940 Surface Mount Leg	4
3	33-02-0007	5/16" Flat Washer (SS)	40
4	33-05-0029	5/16" x 1" Machine Bolt (SS)	20
5	33-03-0012	5/16" Keps Nut (SS)	20



5/16" x 1"
Machine Bolt



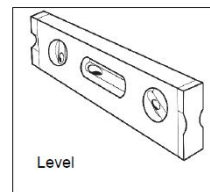
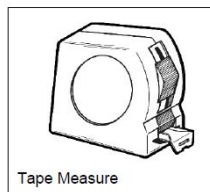
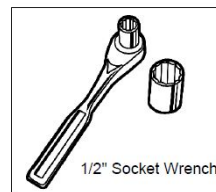
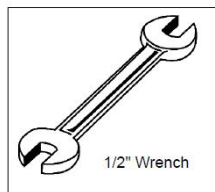
5/16" Washer



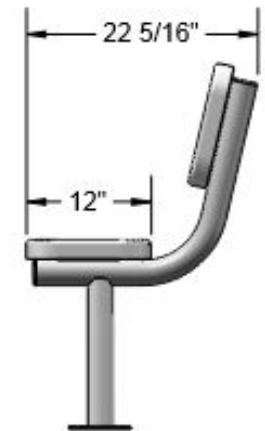
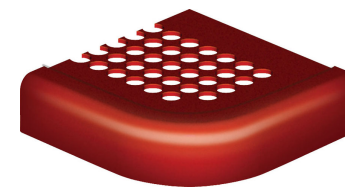
5/16" Keps Nut

Recommended Surface Mount Hardware:
3/8" x 3-1/2" Concrete Expansion Anchor Bolts
(Not Included)

Tools Required



Perforated Pattern Example



WARRANTY: OCCOutdoors, Inc. guarantees all items for one full year to be free of defects in workmanship or materials when installed and maintained properly. We agree to repair or replace, any items determined to be defective. Items specifically not covered by this warranty include vandalism, manmade or natural disasters, lack of maintenance, normal weathering or wear and tear due to public abuse.

NOTES:

1. INSTALLATION TO BE COMPLETED IN ACCORDANCE WITH MANUFACTURER'S SPECIFICATIONS.
2. ALL DIMENSIONS ARE CONSIDERED TRUE AND REFLECT MANUFACTURER'S SPECIFICATIONS
3. DO NOT SCALE DRAWING.

This document contains OCC Outdoors Proprietary Information. No intellectual copyright or license is granted by OCC Outdoors in connection with it. It is delivered on the express condition that the document and the information contained in it shall be treated as confidential, shall not be used for and purpose other than that for which it is hereby delivered (the use and maintenance of the product supplied). It shall not be disclosed in whole or part to third parties and shall not be duplicated in any manner without OCC Outdoors's prior approval.

OCC Outdoors Products PH:

1-800-821-7670

EMAIL - occontact@occoutdoors.com

Fax: 1-317-862-9422

Part #: OCC-940SM-P15

Date: 12/24/2015

OCC Outdoors 15' Heavy
Duty Surface Mount Bench
with 12" Perforated Pattern
Seat and Back,

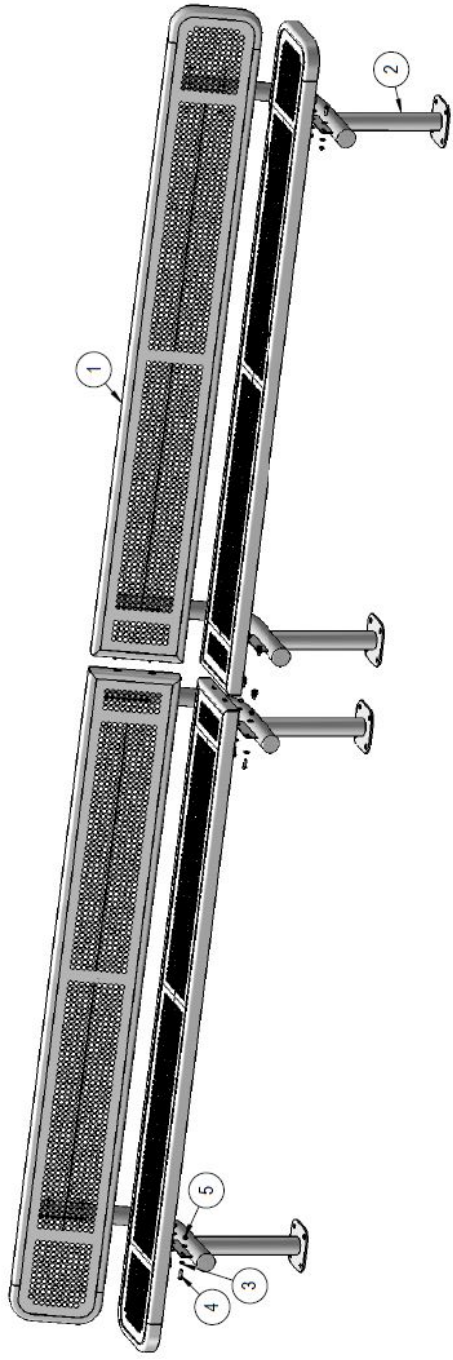
Page 1 of 2

A B C D

Assembly Instructions

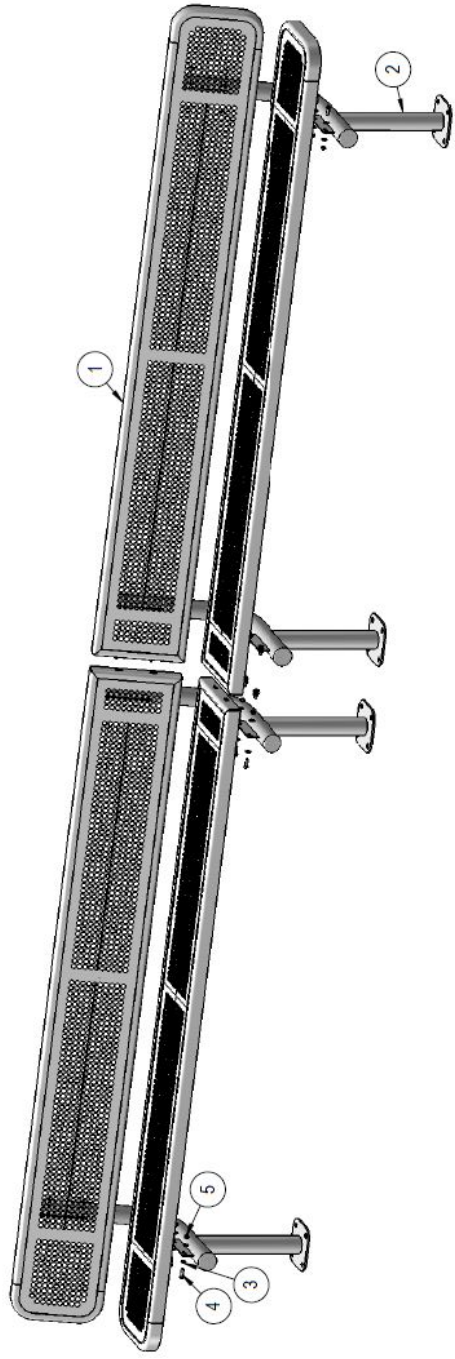
Step 1

Attach the 15' Seats to the 940 Legs as shown using specified hardware.



Step 2

Repeat Step 1 for the back.



A B C D