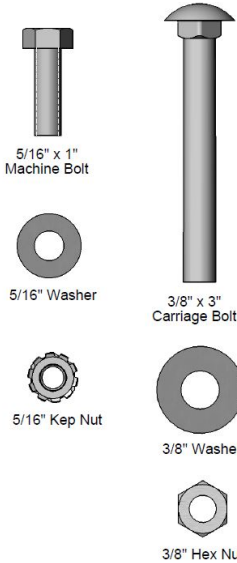
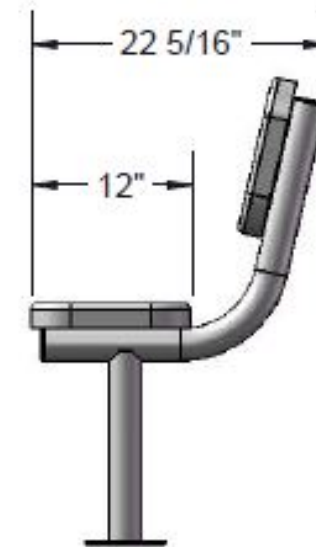
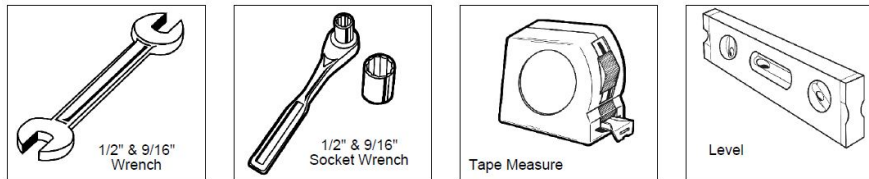


Hardware Included

ITEM NO.	PartNo	DESCRIPTION	Qty.
1	P-V940SM	940 Surface Mount Leg	2
2	T-01-01-0781	6' Buddy Bench Game Seat	1
3	33-02-0007	5/16" SS Washer	16
4	33-05-0029	5/16" x 1" Machine Bolt (SS)	8
5	33-03-0012	5/16" Kep Nut (SS)	8
6	T-01-01-0451	6' Seat (Buddy Bench)	1



Tools Required



WARRANTY: OCCOutdoors, Inc. guarantees all items for one full year to be free of defects in workmanship or materials when installed and maintained properly. We agree to repair or replace, any items determined to be defective. Items specifically not covered by this warranty include vandalism, manmade or natural disasters, lack of maintenance, normal weathering or wear and tear due to public abuse.

- NOTES:**
1. INSTALLATION TO BE COMPLETED IN ACCORDANCE WITH MANUFACTURER'S SPECIFICATIONS.
 2. ALL DIMENSIONS ARE CONSIDERED TRUE AND REFLECT MANUFACTURER'S SPECIFICATIONS
 3. DO NOT SCALE DRAWING.

This document contains OCC Outdoors Proprietary Information. No intellectual copyright or license is granted by OCC Outdoors in connection with it. It is delivered on the express condition that the document and the information contained in it shall be treated as confidential, shall not be used for and purpose other than that for which it is hereby delivered (the use and maintenance of the product supplied). It shall not be disclosed in whole or part to third parties and shall not be duplicated in any manner without OCC Outdoors's prior approval.

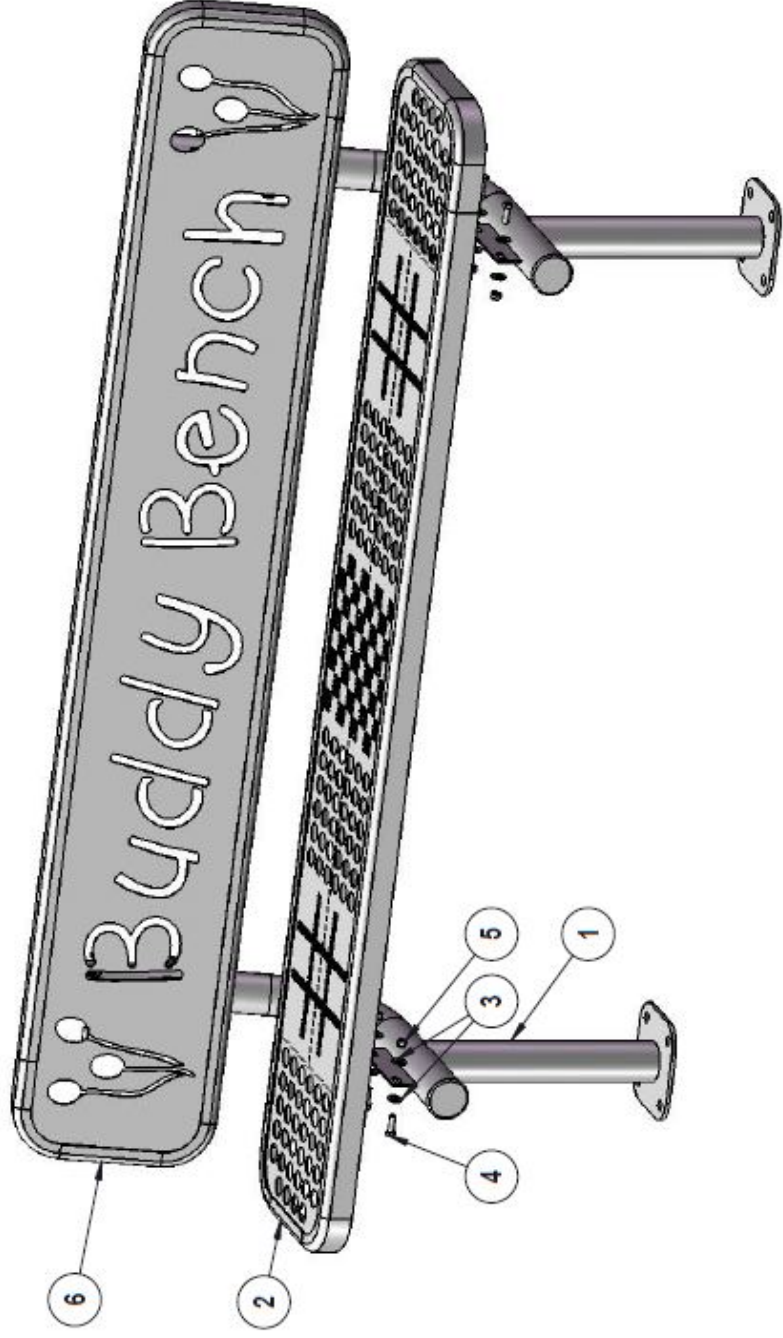
OCC Outdoors Products
 PH: 1-800-821-7670
 EMAIL - occcontact@occoutdoors.com Fax:
 1-317-862-9422

Part #: OCC-940SM-P6-BB

Date: 1/28/18 Page 1 of 2

OCC Outdoors 6' Heavy Duty Surface Mount Buddy Bench with 12" Perforated Pattern Seat & Back

Assembly Instructions



Attach the 6' Perforated Seat and Back to the 940 Legs using the Specified Hardware