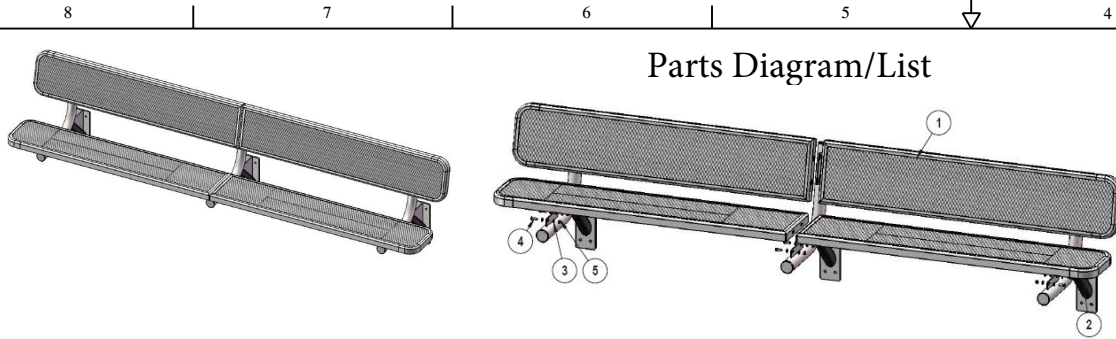
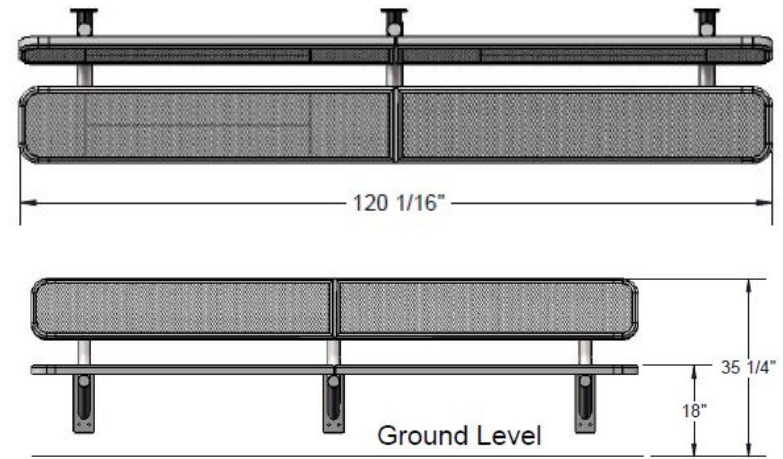


Parts Diagram/List

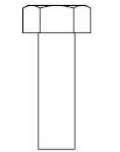


Dimensions



Hardware Included

ITEM NO.	PartNo	DESCRIPTION	QTY.
1	T-V60-S	10' Expanded Seat (1/2)	4
2	P-V940WM	940 Wall Mount Vinyl Leg	3
3	33-02-0007	5/16" SS Washer	24
4	33-05-0029	5/16" x 1" Machine Bolt (SS)	12
5	33-03-0012	5/16" Kep Nut (SS)	12



5/16" x 1" Machine Bolt

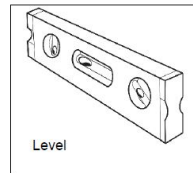
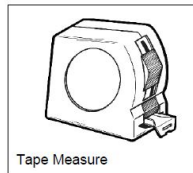
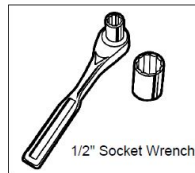
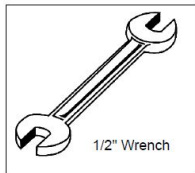


5/16" Washer

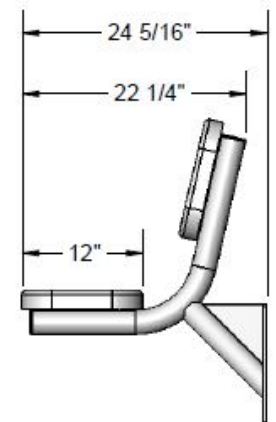


5/16" Kep Nut

Tools Required



Diamond Pattern Example



WARRANTY: OCCOutdoors, Inc. guarantees all items for one full year to be free of defects in workmanship or materials when installed and maintained properly. We agree to repair or replace, any items determined to be defective. Items specifically not covered by this warranty include vandalism, manmade or natural disasters, lack of maintenance, normal weathering or wear and tear due to public abuse.

NOTES:

1. INSTALLATION TO BE COMPLETED IN ACCORDANCE WITH MANUFACTURER'S SPECIFICATIONS.
2. ALL DIMENSIONS ARE CONSIDERED TRUE AND REFLECT MANUFACTURER'S SPECIFICATIONS
3. DO NOT SCALE DRAWING.

This document contains OCC Outdoors Proprietary Information. No intellectual copyright or license is granted by OCC Outdoors in connection with it. It is delivered on the express condition that the document and the information contained in it shall be treated as confidential, shall not be used for and purpose other than that for which it is hereby delivered (the use and maintenance of the product supplied). It shall not be disclosed in whole or part to third parties and shall not be duplicated in any manner without OCC Outdoors's prior approval.

OCC Outdoors Products PH:

1-800-821-7670

EMAIL - occcontact@occoutdoors.com Fax:

1-317-862-9422

OCC Outdoors 10' Heavy Duty Bench, Wall Mount. Diamond Pattern 12" Seat and Back,

Part #: OCC-940WM-V10

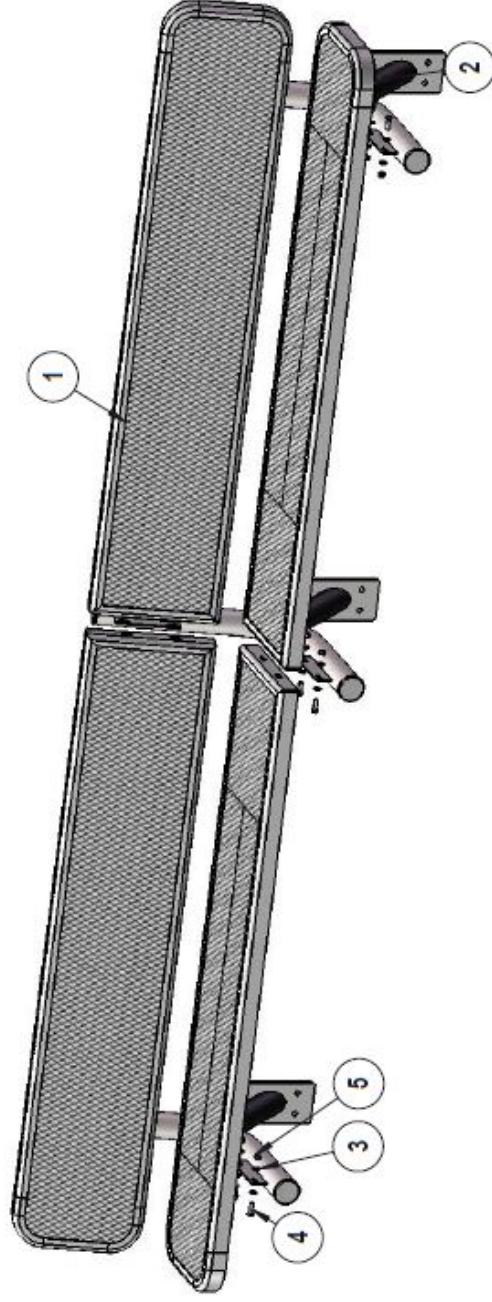
Date: 12/23/2015

Page 1 of 2

Assembly Instructions

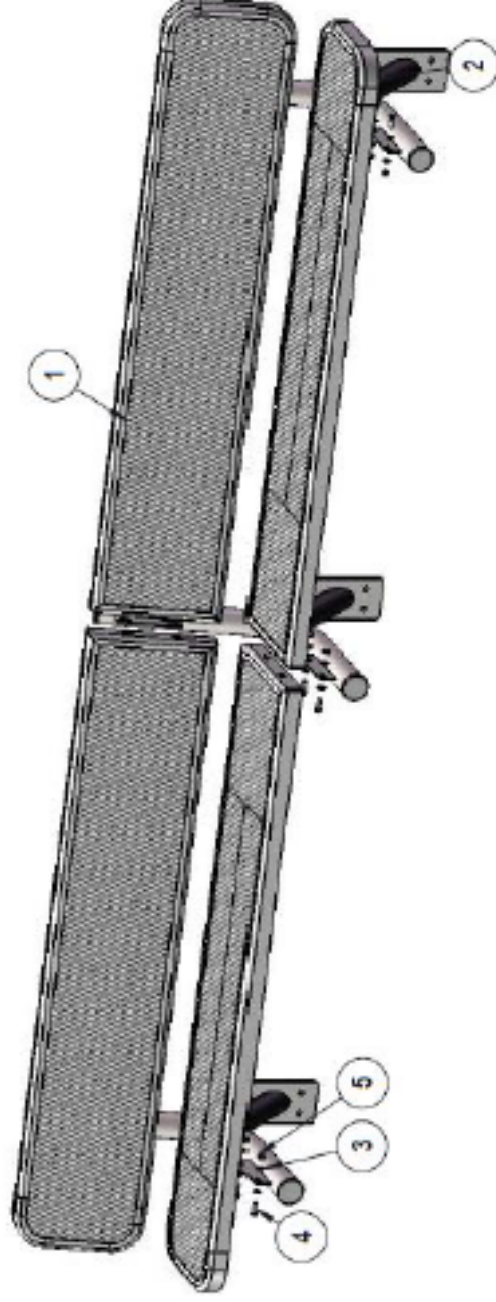
Step 1

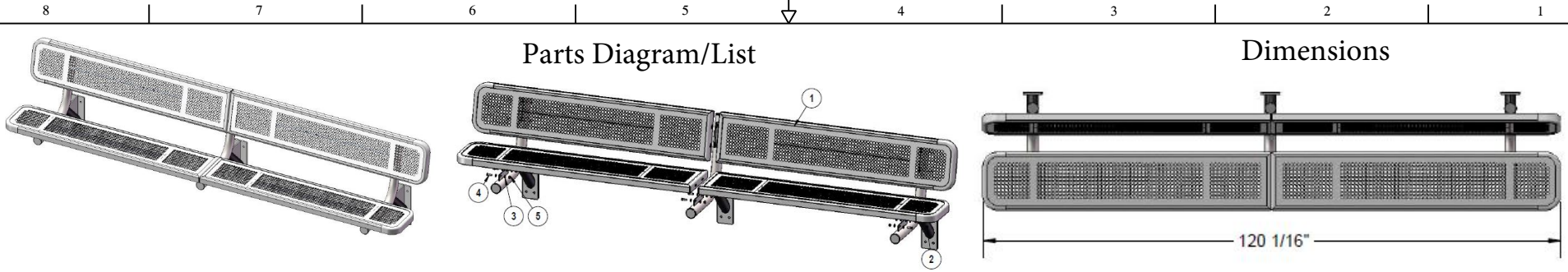
Attach the 10' Seats to the 940 Legs as shown using specified hardware.



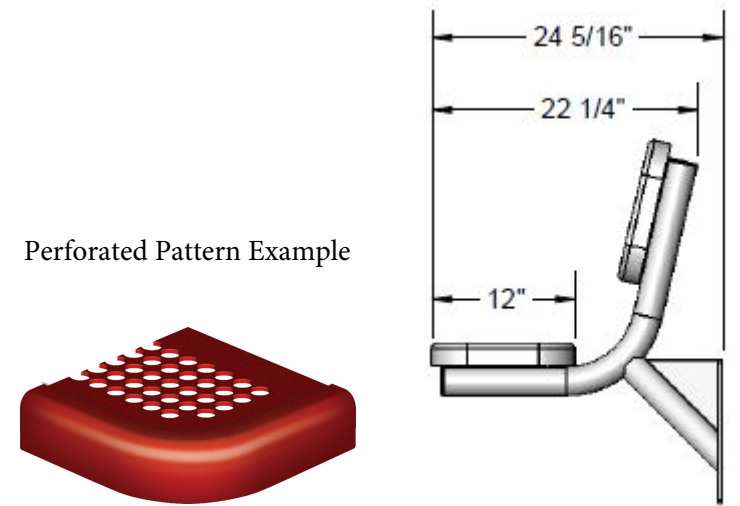
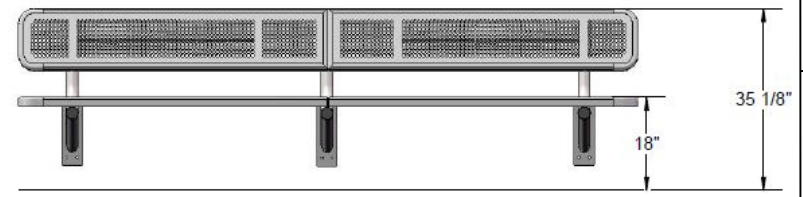
Step 2

Repeat Step 1 for the back.

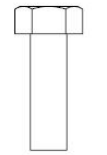




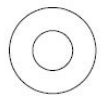
ITEM NO.	PartNo	DESCRIPTION	QTY.
1	T-P60-S	10' Punched Seat (1/2)	4
2	P-V940WM	940 Wall Mount Vinyl Leg	3
3	33-02-0007	5/16" SS Washer	24
4	33-05-0029	5/16" x 1" Machine Bolt (SS)	12
5	33-03-0012	5/16" Kep Nut (SS)	12



Hardware Included



5/16" x 1" Machine Bolt

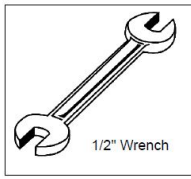


5/16" Washer

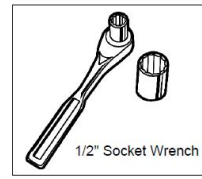


5/16" Kep Nut

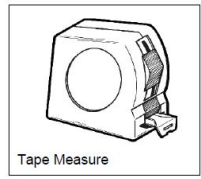
Tools Required



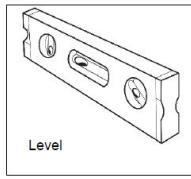
1/2" Wrench



1/2" Socket Wrench



Tape Measure



Level

WARRANTY: OCCOutdoors, Inc. guarantees all items for one full year to be free of defects in workmanship or materials when installed and maintained properly. We agree to repair or replace, any items determined to be defective. Items specifically not covered by this warranty include vandalism, manmade or natural disasters, lack of maintenance, normal weathering or wear and tear due to public abuse.

- NOTES:**
1. INSTALLATION TO BE COMPLETED IN ACCORDANCE WITH MANUFACTURER'S SPECIFICATIONS.
 2. ALL DIMENSIONS ARE CONSIDERED TRUE AND REFLECT MANUFACTURER'S SPECIFICATIONS
 3. DO NOT SCALE DRAWING.

This document contains OCC Outdoors Proprietary Information. No intellectual copyright or license is granted by OCC Outdoors in connection with it. It is delivered on the express condition that the document and the information contained in it shall be treated as confidential, shall not be used for and purpose other than that for which it is hereby delivered (the use and maintenance of the product supplied). It shall not be disclosed in whole or part to third parties and shall not be duplicated in any manner without OCC Outdoors's prior approval.

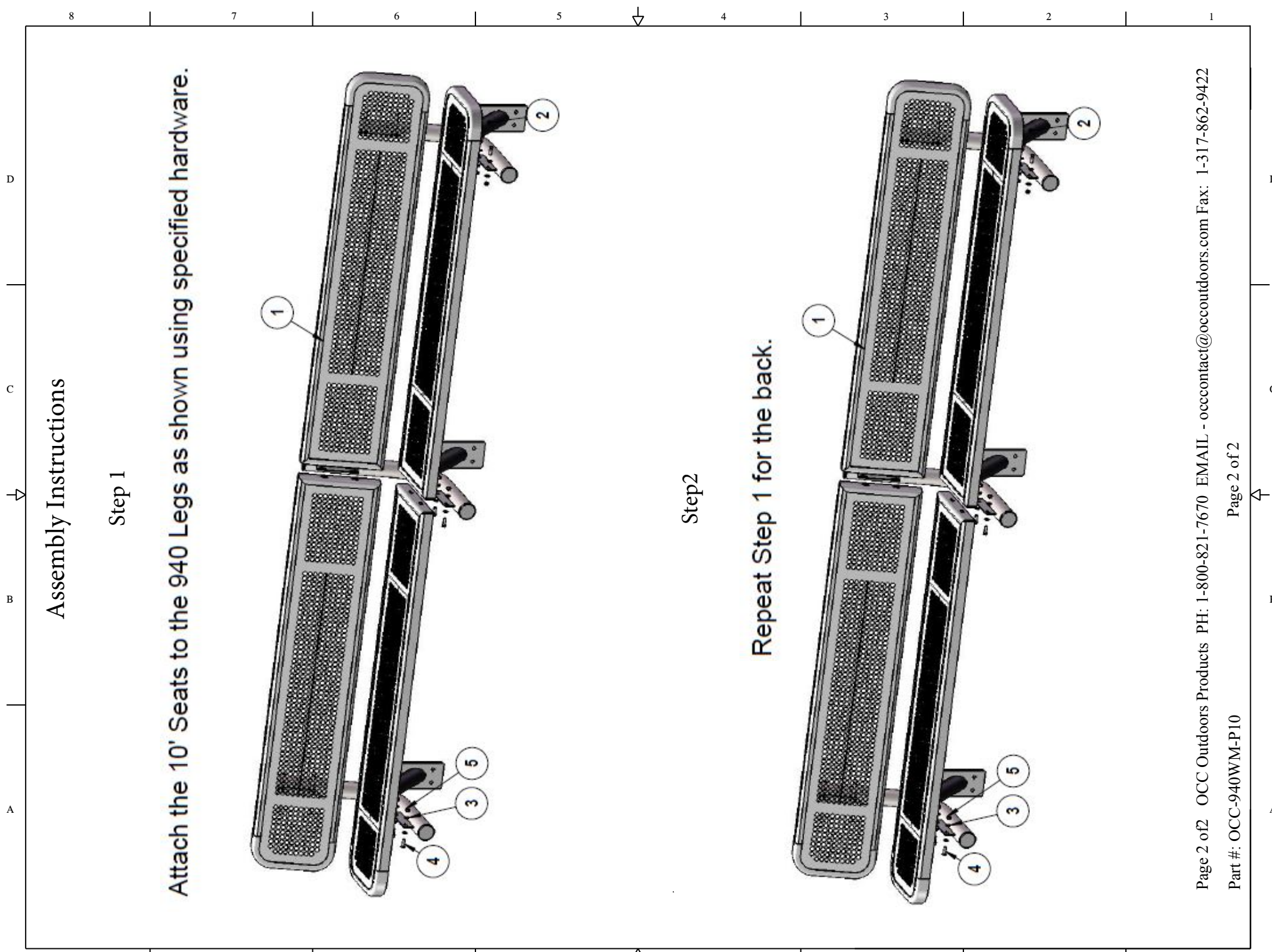
OCC Outdoors Products PH:
 1-800-821-7670
 EMAIL - occcontact@occoutdoors.com Fax:
 1-317-862-9422

OCC Outdoors 10' Heavy Duty Bench Wall Mount. Perforated Pattern 12" Seat and Back,

Part #: OCC-940WM-P10

Date: 12/24/2015

Page 1 of 2



Assembly Instructions

Step 1

Attach the 10' Seats to the 940 Legs as shown using specified hardware.

Step 2

Repeat Step 1 for the back.