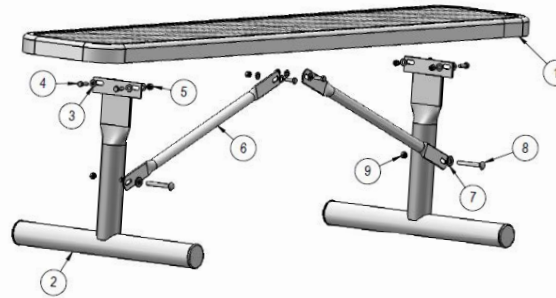
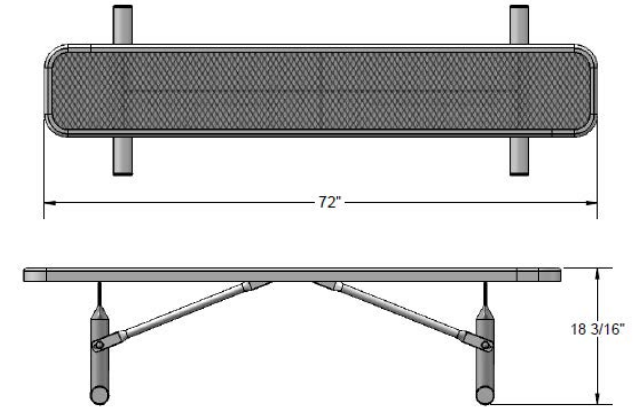




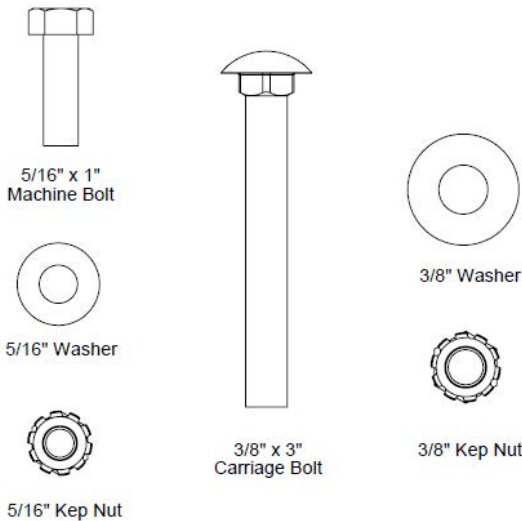
Parts Diagram



Dimensions



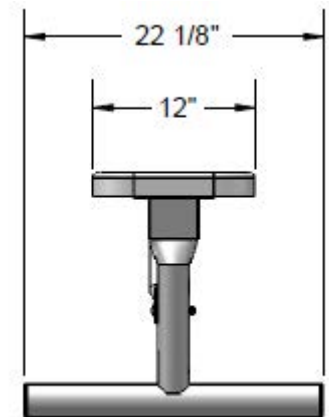
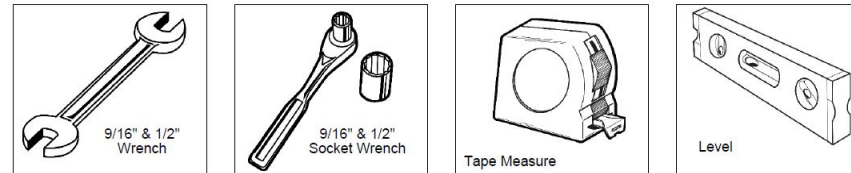
Included Hardware



Parts List

ITEM NO.	PartNo	DESCRIPTION	QTY
1	T-V72-S	6' Expanded Seat	1
2	P-V942P	942P VINYL LEG	2
3	33-02-0007	5/16" Flat Washer (SS)	12
4	33-05-0029	5/16" x 1" Machine Bolt (SS)	6
5	33-03-0012	5/16" Kev Nut (SS)	6
6	P-01-04-0129	26 3/4" Brace	2
7	33-02-0008	3/8" Flat Washer (SS)	2
8	33-06-0058	3/8" x 3" Carriage Bolt (SS)	2
9	33-03-0013	3/8" Kev Nut (SS)	2

Tools Required



WARRANTY: OCCOutdoors, Inc. guarantees all items for one full year to be free of defects in workmanship or materials when installed and maintained properly. We agree to repair or replace, any items determined to be defective. Items specifically not covered by this warranty include vandalism, manmade or natural disasters, lack of maintenance, normal weathering or wear and tear due to public abuse.

- NOTES:
 1. INSTALLATION TO BE COMPLETED IN ACCORDANCE WITH MANUFACTURER'S SPECIFICATIONS.
 2. ALL DIMENSIONS ARE CONSIDERED TRUE AND REFLECT MANUFACTURER'S SPECIFICATIONS
 3. DO NOT SCALE DRAWING.

This document contains OCC Outdoors Proprietary Information. No intellectual copyright or license is granted by OCC Outdoors in connection with it. It is delivered on the express condition that the document and the information contained in it shall be treated as confidential, shall not be used for and purpose other than that for which it is hereby delivered (the use and maintenance of the product supplied). It shall not be disclosed in whole or part to third parties and shall not be duplicated in any manner without OCC Outdoors's prior approval.

OCC Outdoors Products

PH: 1-800-821-7670
 EMAIL - occcontact@occoutdoors.com
 Fax: 1-317-862-9422

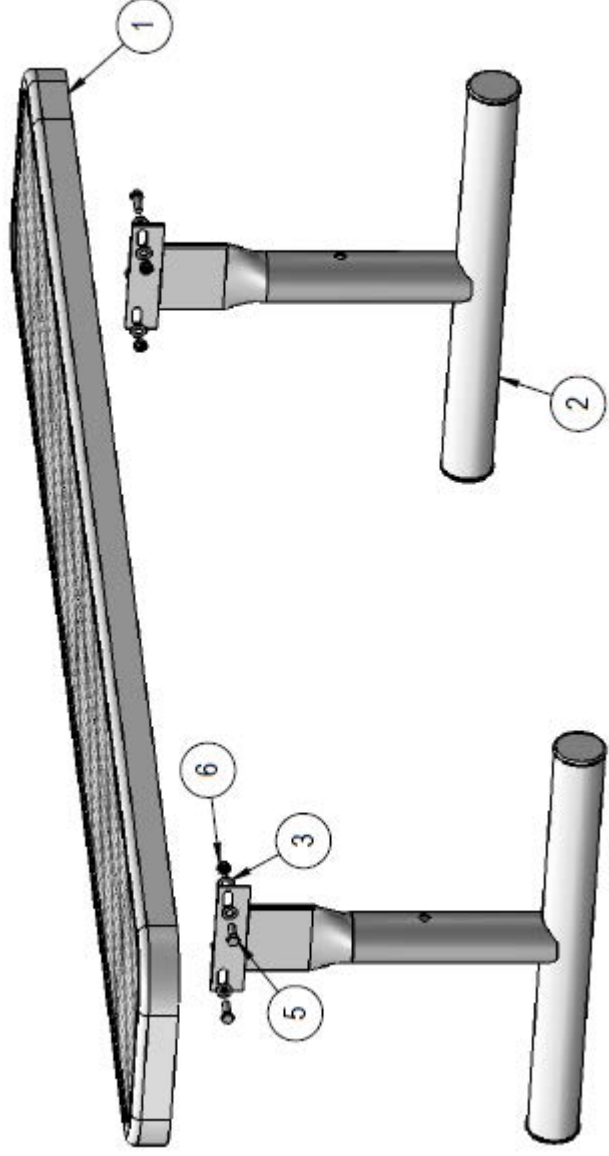
OCC Outdoors 6' Bench W/O Back,
 12" Plank, Portable Mount, Diamond
 Pattern

Part #: OCC-942P-V6

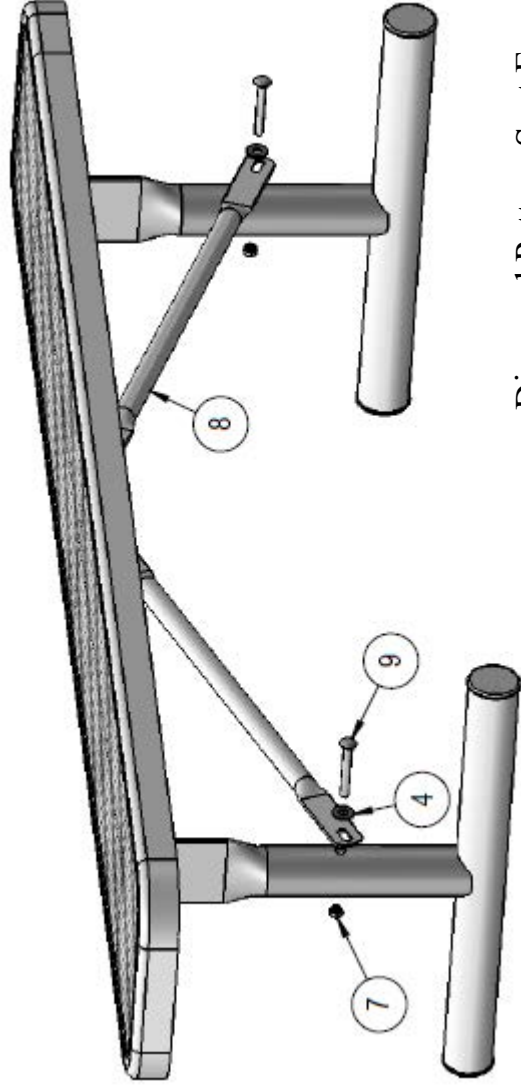
Date: 12/09/2015

Assembly Instructions

Step 1: Attach the 6' Diamond Pattern Seat to the 942 Legs using specified hardware as shown.



Step 2: Attach the 26-3/4" braces to the 942 legs using the specified hardware as shown.



Diamond Pattern Seat Example

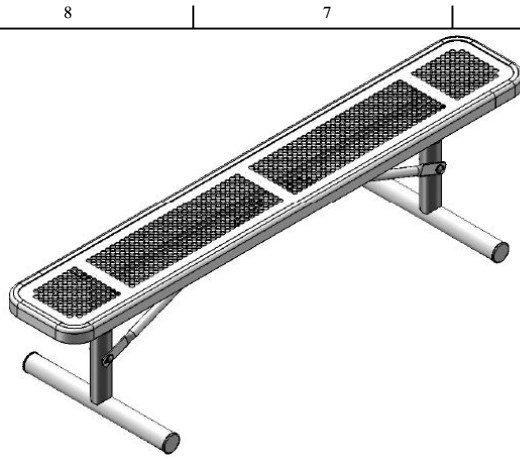


Page 2 of 2 OCC Outdoors Products PH: 1-800-821-7670

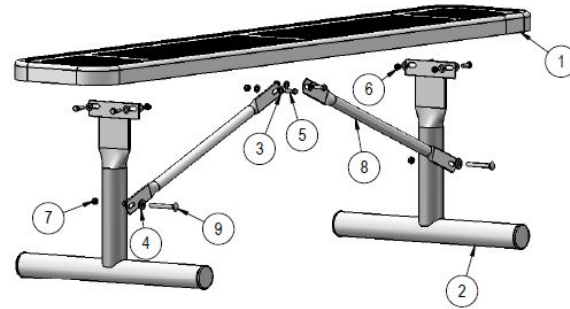
EMAIL - occontact@occoutdoors.com

Fax: 1-317-862-9422

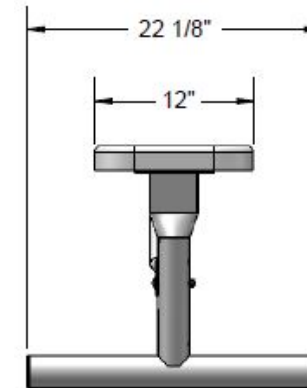
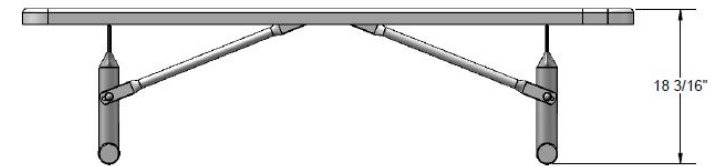
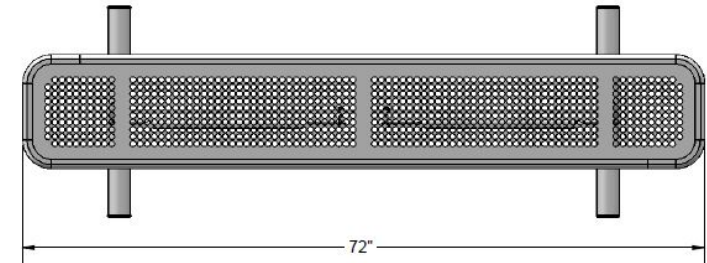
Part #: OCC-942P-V6



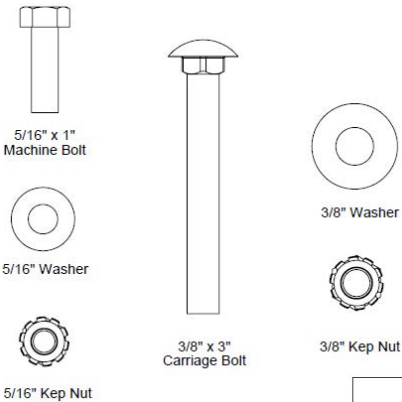
Parts Diagram



Dimensions



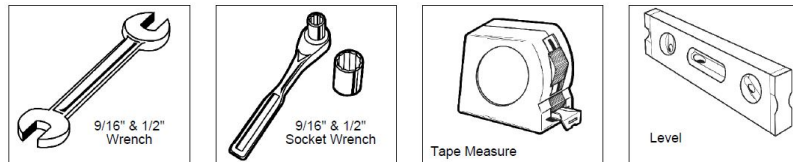
Included Hardware



Parts List

ITEM NO.	PartNo	DESCRIPTION	QTY
1	T-P72-S	6' Punched Seat	1
2	P-V942P	942P VINYL LEG	2
3	33-02-0007	5/16" Flat Washer (SS)	12
4	33-02-0008	3/8" Flat Washer (SS)	2
5	33-05-0029	5/16" x 1" Machine Bolt (SS)	6
6	33-03-0012	5/16" Kep Nut (SS)	6
7	33-03-0013	3/8" Kep Nut (SS)	2
8	P-01-04-0129	26 3/4" Brace	2
9	33-06-0058	3/8" x 3" Carriage Bolt (SS)	2

Tools Required



WARRANTY: OCCOutdoors, Inc. guarantees all items for one full year to be free of defects in workmanship or materials when installed and maintained properly. We agree to repair or replace, any items determined to be defective. Items specifically not covered by this warranty include vandalism, manmade or natural disasters, lack of maintenance, normal weathering or wear and tear due to public abuse.

- NOTES:**
1. INSTALLATION TO BE COMPLETED IN ACCORDANCE WITH MANUFACTURER'S SPECIFICATIONS.
 2. ALL DIMENSIONS ARE CONSIDERED TRUE AND REFLECT MANUFACTURER'S SPECIFICATIONS
 3. DO NOT SCALE DRAWING.

OCC Outdoors Products
 PH: 1-800-821-7670
 EMAIL - occcontact@occoutdoors.com
 Fax: 1-317-862-9422

**OCC Outdoors 6' Bench W/O Back,
 12" Plank, Portable Mount,
 Perforated Pattern Seat**

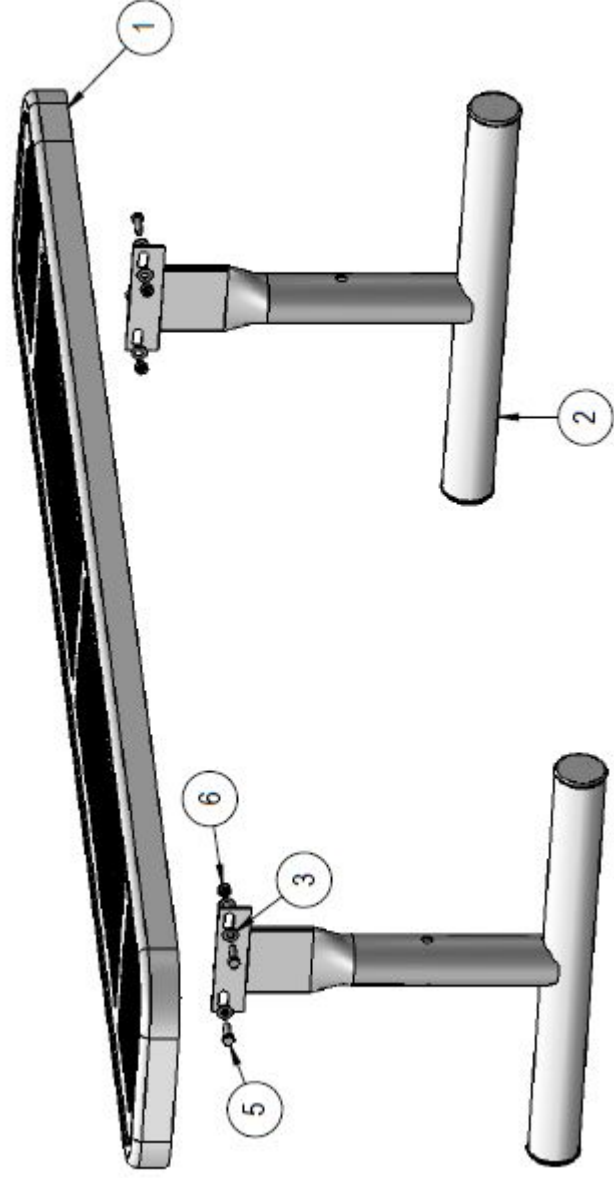
Part #: OCC-942P-P6

Date: 12/08/2015

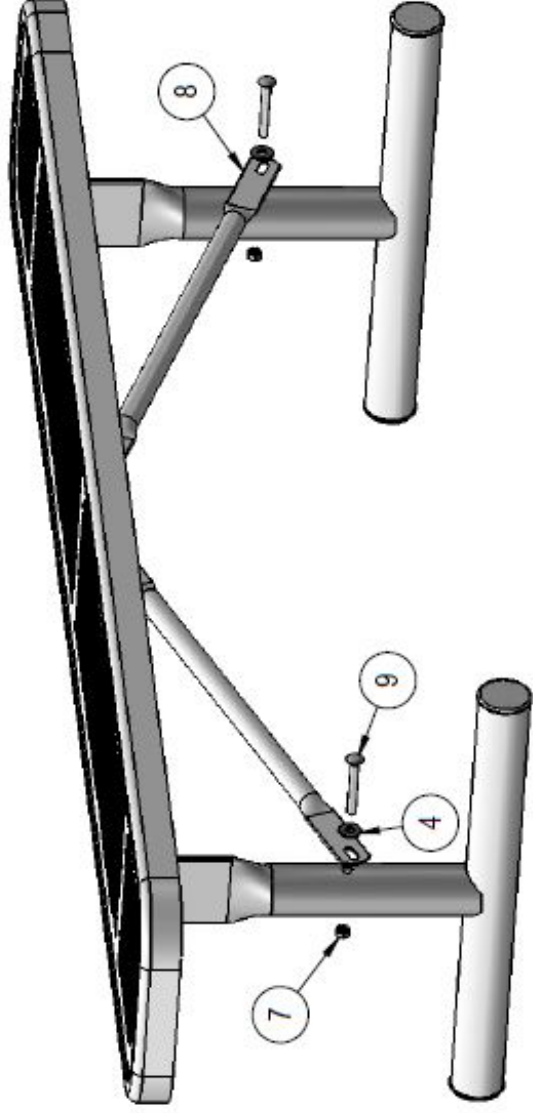
This document contains OCC Outdoors Proprietary Information. No intellectual copyright or license is granted by OCC Outdoors in connection with it. It is delivered on the express condition that the document and the information contained in it shall be treated as confidential, shall not be used for and purpose other than that for which it is hereby delivered (the use and maintenance of the product supplied). It shall not be disclosed in whole or part to third parties and shall not be duplicated in any manner without OCC Outdoors's prior approval.

Assembly Instructions

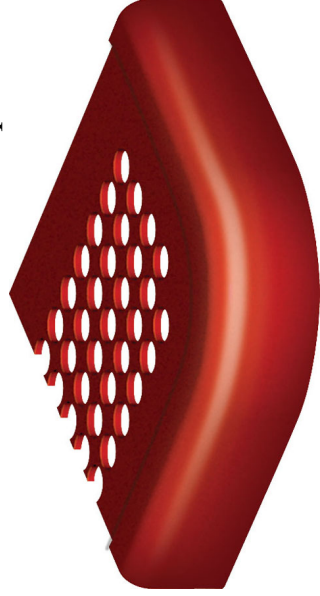
Attach the 6' Punched Seat to the 942 Legs using specified hardware.



Attach the 26-3/4" Braces to the 942 Legs using specified hardware as shown.



Perforated Pattern Seat Example



Page 2 of 2 OCC Outdoors Products PH: 1-800-821-7670

EMAIL - occontact@ocoutdoors.com

Fax: 1-317-862-9422

Part #: OCC-942P-P6