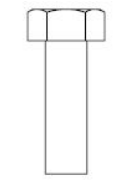
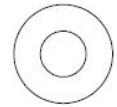


Hardware Included

ITEM NO.	PartNo	DESCRIPTION	QTY
1	T-DV60-S	10' Deluxe Expanded Seat	2
2	P-V942S	942S VINYL LEG	3
3	33-02-0007	5/16" Flat Washer (SS)	12
4	33-05-0029	5/16" x 1" Machine Bolt (SS)	6
5	33-03-0012	5/16" Kep Nut (SS)	6



5/16" x 1" Machine Bolt



5/16" Washer

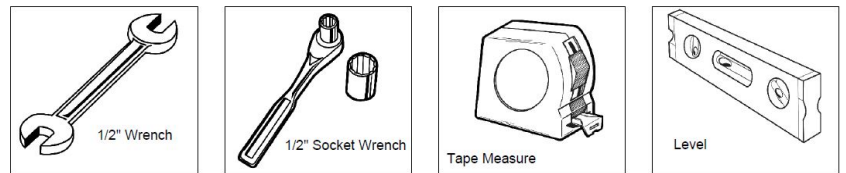


5/16" Kep Nut

Assembly Instructions:

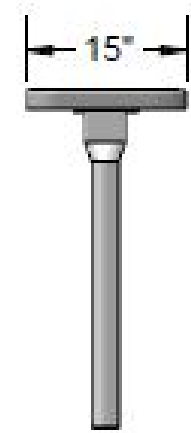
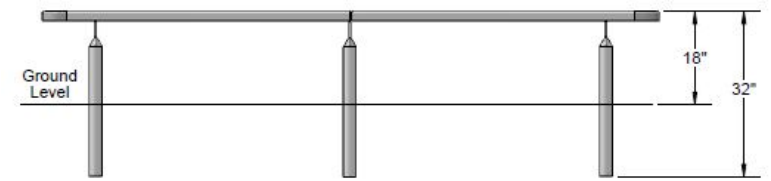
Attach the 10' Seats to the 942 Legs as shown using specified hardware.

Tools Required



Mounting Instructions:

Estimated Required Concrete: 10 - 50lb Bags of Concrete Mix



WARRANTY: OCCOutdoors, Inc. guarantees all items for one full year to be free of defects in workmanship or materials when installed and maintained properly. We agree to repair or replace, any items determined to be defective. Items specifically not covered by this warranty include vandalism, manmade or natural disasters, lack of maintenance, normal weathering or wear and tear due to public abuse.

- NOTES:**
1. INSTALLATION TO BE COMPLETED IN ACCORDANCE WITH MANUFACTURER'S SPECIFICATIONS.
 2. ALL DIMENSIONS ARE CONSIDERED TRUE AND REFLECT MANUFACTURER'S SPECIFICATIONS
 3. DO NOT SCALE DRAWING.

This document contains OCC Outdoors Proprietary Information. No intellectual copyright or license is granted by OCC Outdoors in connection with it. It is delivered on the express condition that the document and the information contained in it shall be treated as confidential, shall not be used for and purpose other than that for which it is hereby delivered (the use and maintenance of the product supplied). It shall not be disclosed in whole or part to third parties and shall not be duplicated in any manner without OCC Outdoors's prior approval.

OCC Outdoors Products
 PH: 1-800-821-7670
 EMAIL - occcontact@occoutdoors.com Fax:
 1-317-862-9422

OCC Outdoors 10' Deluxe Bench W/O Back, 15" Plank, In-Ground Mount, Diamond Pattern Seat

Part #: OCC-942S-DV10

Page 1 of 2

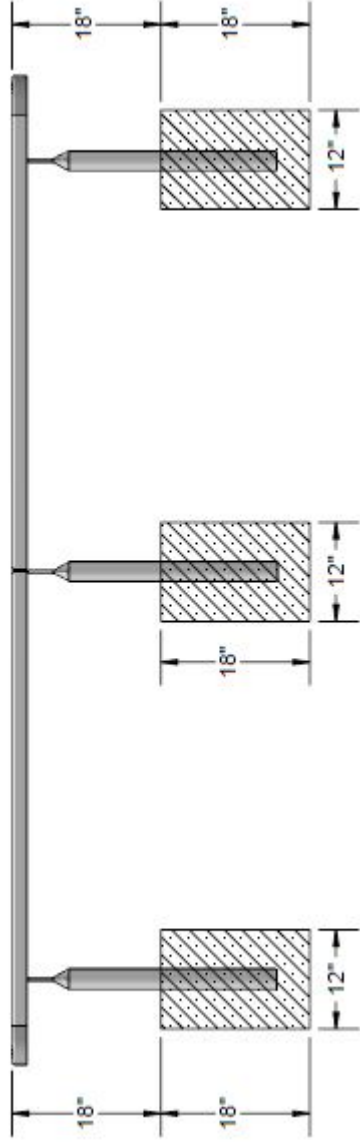
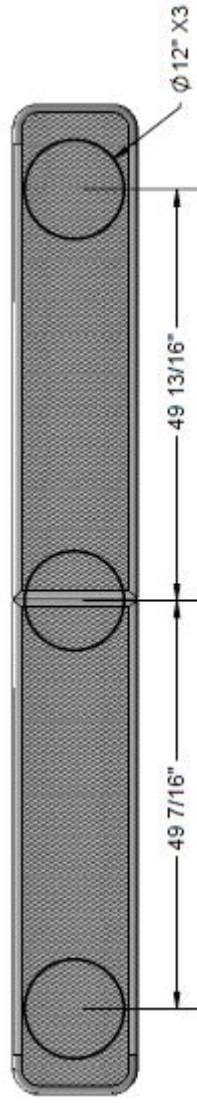
Date: 12/16/2015

8 7 6 5 4 3 2 1

A B C D

Footing Instructions

**Estimated Required Concrete:
10 - 50lb Bags of Concrete Mix**



Diamond Seat Pattern Example

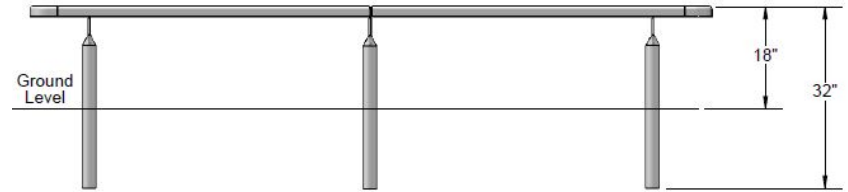
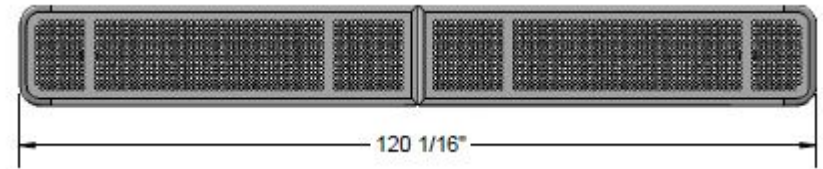
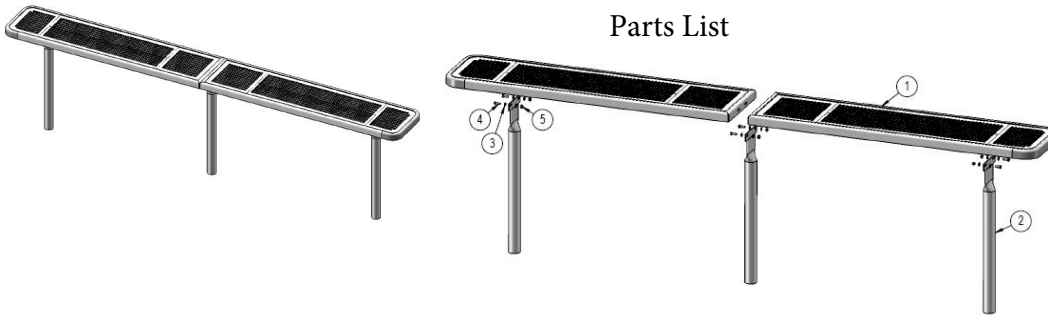


8 7 6 5 4 3 2 1

A B C D

Parts List

Dimensions



Hardware Included

ITEM NO.	PartNo	DESCRIPTION	QTY
1	T-DP60-S	10' Deluxe Punched Seat (1/2)	2
2	P-V942S	942S VINYL LEG	3
3	33-02-0007	5/16" Flat Washer (SS)	12
4	33-05-0029	5/16" x 1" Machine Bolt (SS)	6
5	33-03-0012	5/16" Kep Nut (SS)	6

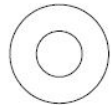


5/16" x 1"
Machine Bolt

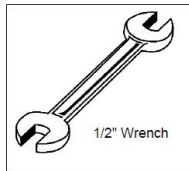
Assembly Instructions:

Attach the 10' Seat to the 942 Legs as shown using specified hardware.

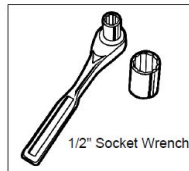
Tools Required



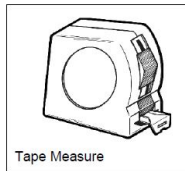
5/16" Washer



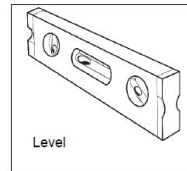
1/2" Wrench



1/2" Socket Wrench



Tape Measure



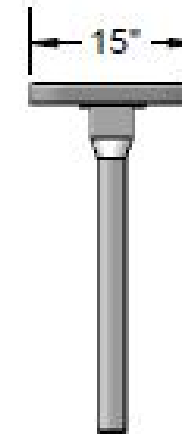
Level



5/16" Kep Nut

Mounting Instructions:

Estimated Required Concrete: 10 - 50lb Bags of Concrete Mix



WARRANTY: OCCOutdoors, Inc. guarantees all items for one full year to be free of defects in workmanship or materials when installed and maintained properly. We agree to repair or replace, any items determined to be defective. Items specifically not covered by this warranty include vandalism, manmade or natural disasters, lack of maintenance, normal weathering or wear and tear due to public abuse.

NOTES:

1. INSTALLATION TO BE COMPLETED IN ACCORDANCE WITH MANUFACTURER'S SPECIFICATIONS.
2. ALL DIMENSIONS ARE CONSIDERED TRUE AND REFLECT MANUFACTURER'S SPECIFICATIONS
3. DO NOT SCALE DRAWING.

This document contains OCC Outdoors Proprietary Information. No intellectual copyright or license is granted by OCC Outdoors in connection with it. It is delivered on the express condition that the document and the information contained in it shall be treated as confidential, shall not be used for and purpose other than that for which it is hereby delivered (the use and maintenance of the product supplied). It shall not be disclosed in whole or part to third parties and shall not be duplicated in any manner without OCC Outdoors's prior approval.

OCC Outdoors Products

PH: 1-800-821-7670

EMAIL - occcontact@occoutdoors.com Fax:

1-317-862-9422

Part #: OCC-942S-DP10

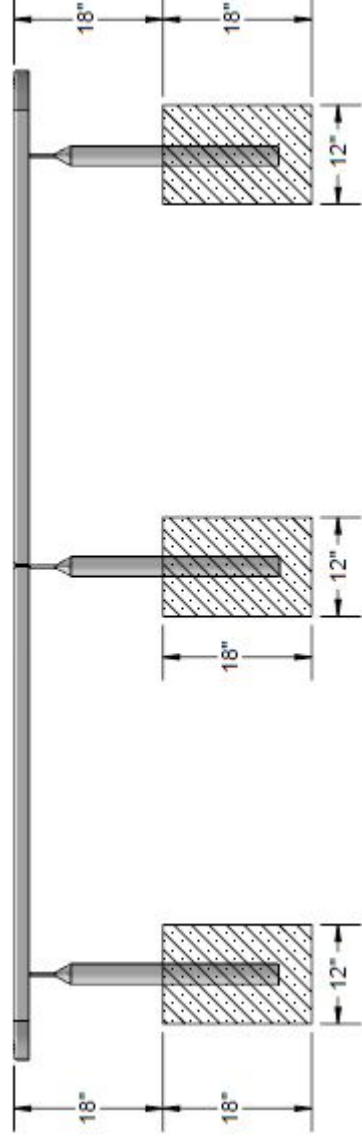
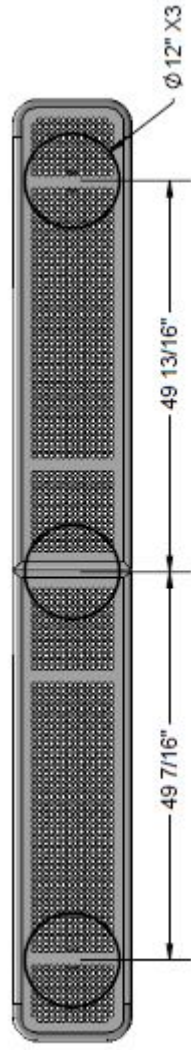
Date: 12/162015

**OCC Outdoors 10' Deluxe
Bench W/O Back, 15" Plank,
In-Ground Mount, Perforated
Seat Pattern**

Page 1 of 2

Footing Instructions

**Estimated Required Concrete:
10 - 50lb Bags of Concrete Mix**



Perforated Seat Pattern Example

