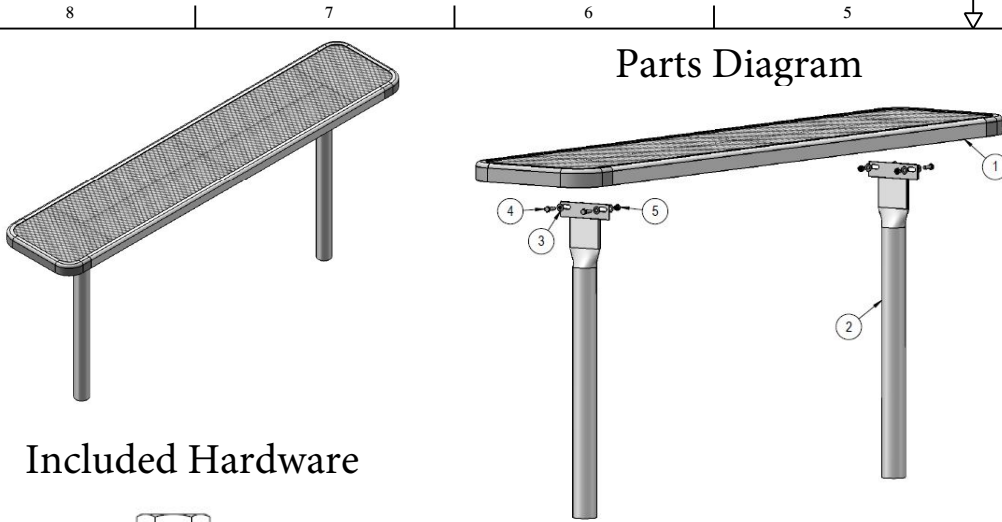
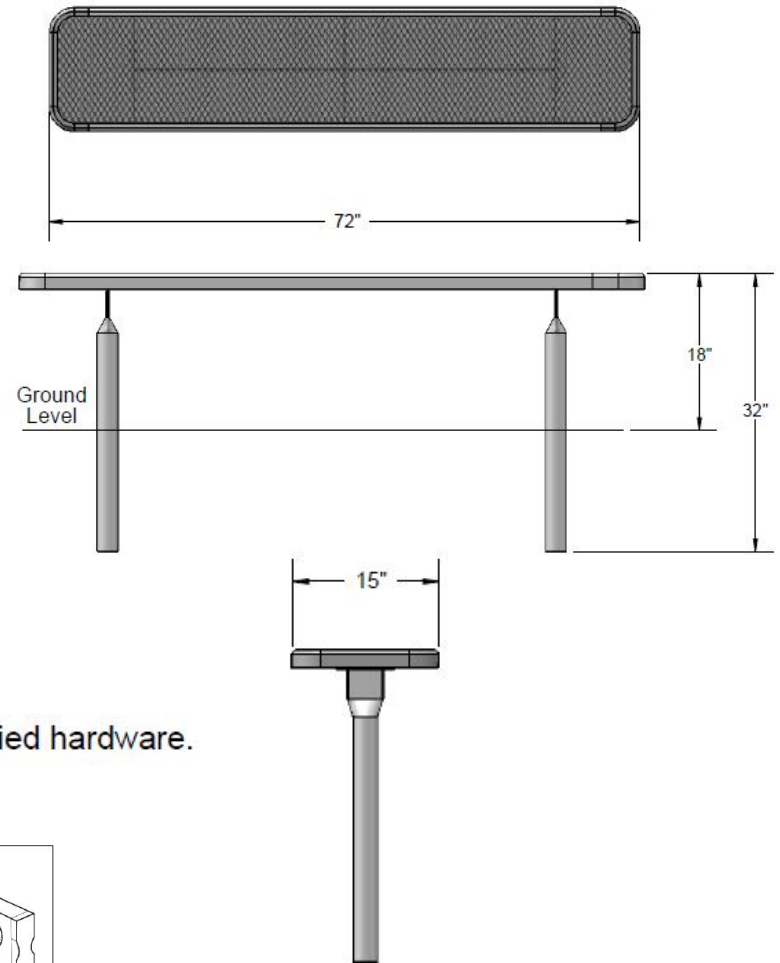


Parts Diagram



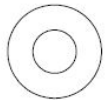
Dimensions



Included Hardware



5/16" x 1"
Machine Bolt



5/16" Washer



5/16" Kee Nut

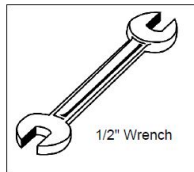
Parts List

ITEM NO.	PartNo	DESCRIPTION	QTY
1	T-DV72-S	6' Expanded Deluxe Seat	1
2	P-V942S	942S VINYL LEG	2
3	33-02-0007	5/16" Flat Washer (SS)	8
4	33-05-0029	5/16" x 1" Machine Bolt (SS)	4
5	33-03-0012	5/16" Kee Nut (SS)	4

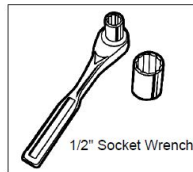
Assembly Instructions

Attach the 6' Expanded Seat to the 942 Legs using specified hardware.

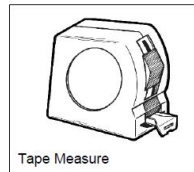
Tools Required



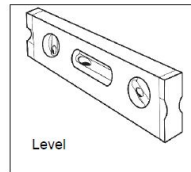
1/2" Wrench



1/2" Socket Wrench



Tape Measure



Level

WARRANTY: OCCOutdoors, Inc. guarantees all items for one full year to be free of defects in workmanship or materials when installed and maintained properly. We agree to repair or replace, any items determined to be defective. Items specifically not covered by this warranty include vandalism, manmade or natural disasters, lack of maintenance, normal weathering or wear and tear due to public abuse.

NOTES:

1. INSTALLATION TO BE COMPLETED IN ACCORDANCE WITH MANUFACTURER'S SPECIFICATIONS.
2. ALL DIMENSIONS ARE CONSIDERED TRUE AND REFLECT MANUFACTURER'S SPECIFICATIONS
3. DO NOT SCALE DRAWING.

This document contains OCC Outdoors Proprietary Information. No intellectual copyright or license is granted by OCC Outdoors in connection with it. It is delivered on the express condition that the document and the information contained in it shall be treated as confidential, shall not be used for and purpose other than that for which it is hereby delivered (the use and maintenance of the product supplied). It shall not be disclosed in whole or part to third parties and shall not be duplicated in any manner without OCC Outdoors's prior approval.

OCC Outdoors Products PH:

1-800-821-7670

EMAIL - occcontact@occoutdoors.com

Fax: 1-317-862-9422

Part #: OCC-942S-DV6

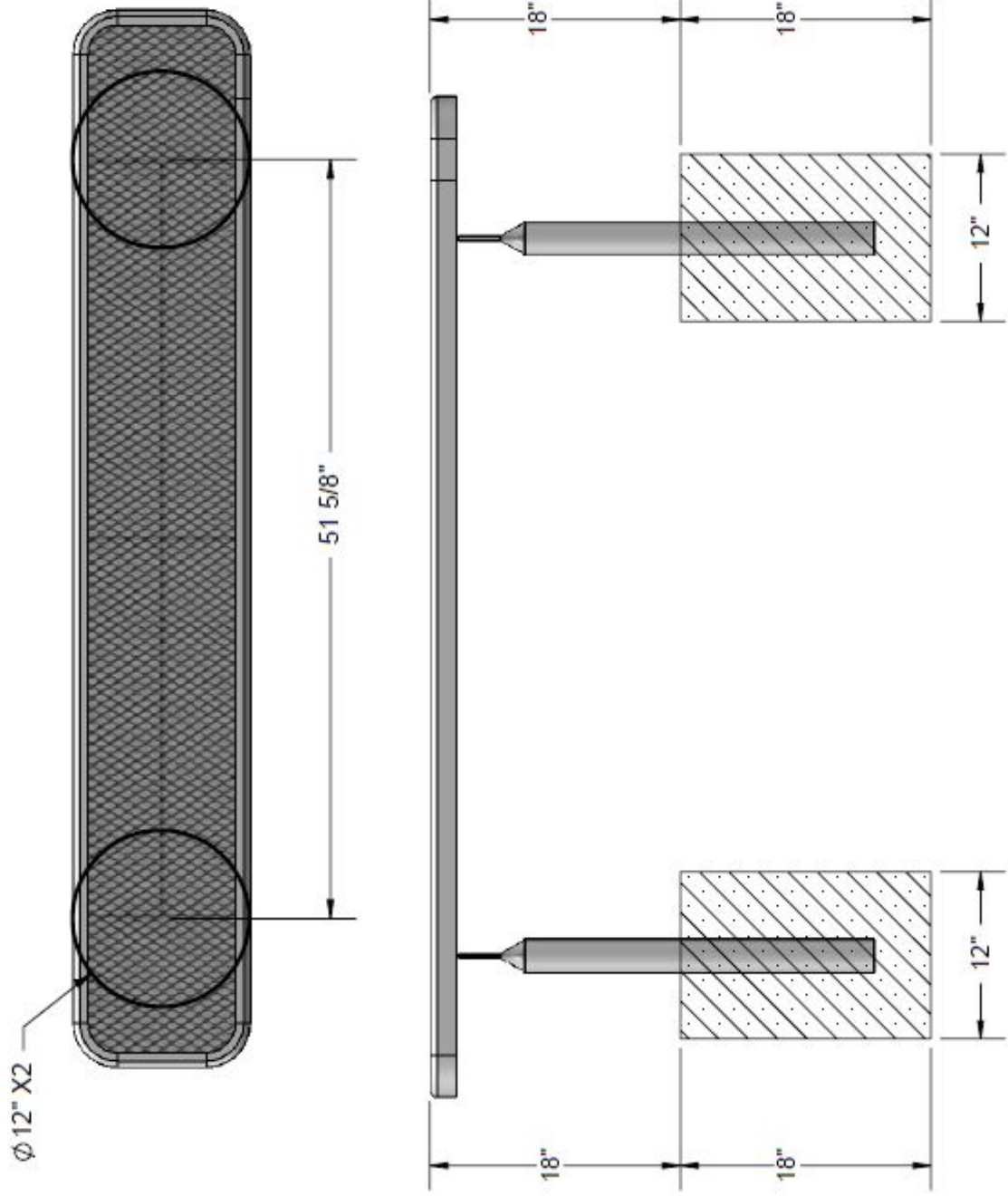
Date: 12/17/2015

OCC Outdoors 6' Deluxe
Bench W/O Back, 15"
Plank, In-Ground Mount,
Diamond Pattern Seat

Page 1 of 2

Footing Instructions

Estimated Required Concrete: 7 - 50 lb. Bags of Concrete Mix

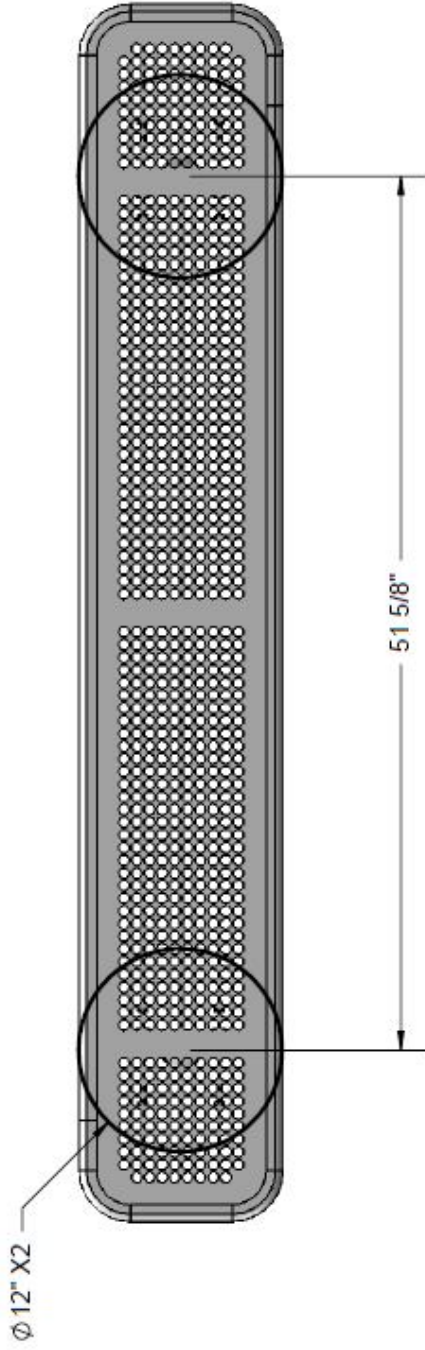


Diamond Pattern Seat Example



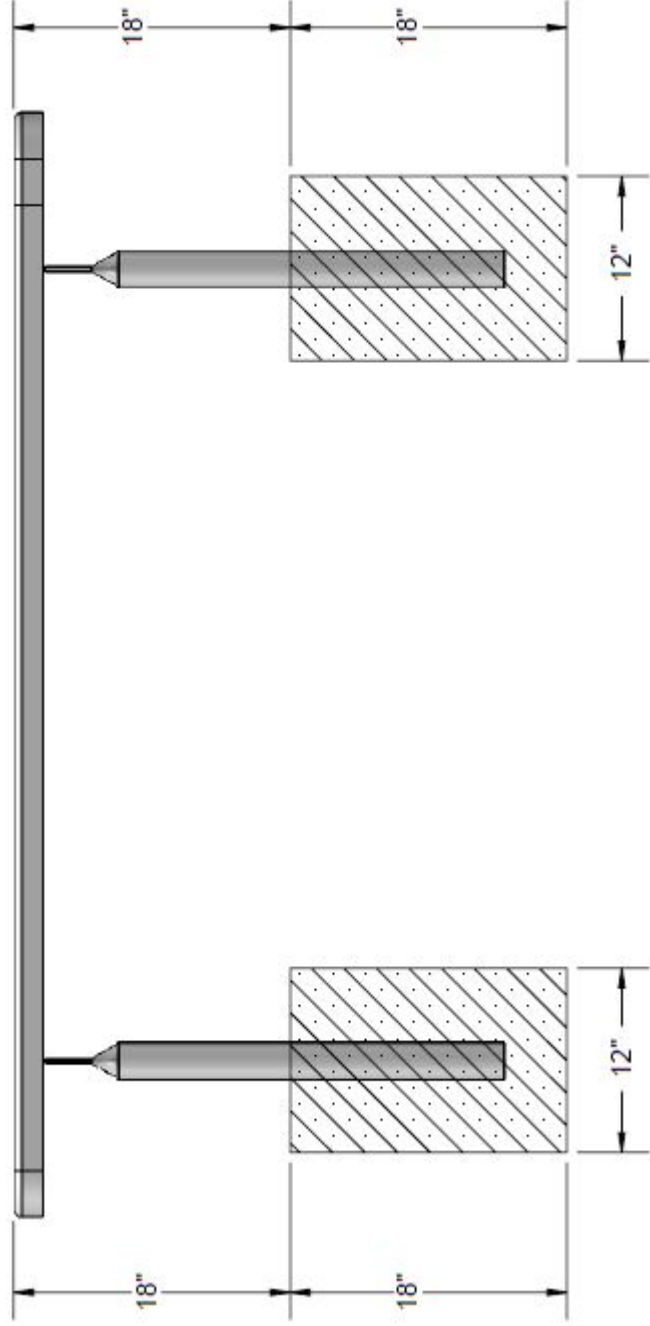
Footing Instructions

Estimated Required Concrete: 7 - 50 lb. Bags of Concrete Mix



Ø 12" X2

51 5/8"



18"

18"

18"

18"

12"

12"

Perforated Pattern Seat Example

