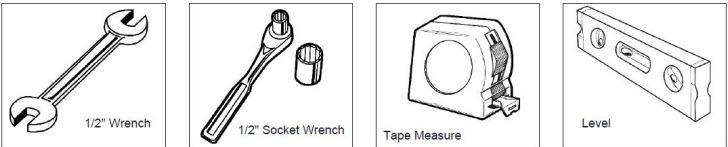
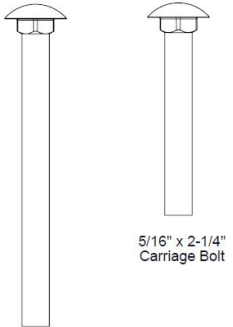


ITEM NO.	PartNo	DESCRIPTION	QTY.
1	P-01-01-0243	planter bench attachment angle	2
2	BRN72-3x4-PB, CDR72-3x4PB, GRN72-3x4-PB, or GRY72-3x4-PB	3 x 4 Brown Recycled Planter Bench Plank (6'), 3 X 4 Cedar Recycled Planter Bench Plank (6'), 3 x 4 Green Recycled Planter Bench Plank (6'), or 3 x 4 Grey Recycled Planter Bench Plank (6')	4
3	P-01-04-0118	952 recycled center angle	1
4	P-01-01-0248	6' Recycled Planter Bench Angle (71 1/2")	2
5	33-06-0006	5/16" x 2 1/4" Carriage Bolt (Zinc)	96
6	33-06-0023	5/16" x 3-1/2" Carriage Bolt (Zinc)	12
7	33-02-0001	5/16" Zinc Plated Washer	108
8	33-01-0001	5/16" Hex Nut (Zinc)	108
9	BRN18-2x4-PL, CDR18-2x4-PL, GRN18-2x4-PL, or GRY18-2x4-PL	2 x 4 Brown Recycled Planter Plank (18"), 2 X 4 Cedar Recycled Planter Plank (18"), 2 x 4 Green Recycled Planter Plank (18"), or 2 x 4 Grey Recycled Planter Plank (18")	48
10	01-05-0090	TR Sq. Planter/Receptacle bottom ring assembly	2
11	01-05-0089	TR Sq. Planter/Receptacle L bracket assembly	2



WARRANTY: OCCOutdoors, Inc. guarantees all items for one full year to be free of defects in workmanship or materials when installed and maintained properly. We agree to repair or replace, any items determined to be defective. Items specifically not covered by this warranty include vandalism, manmade or natural disasters, lack of maintenance, normal weathering or wear and tear due to public abuse.

- NOTES:**
1. INSTALLATION TO BE COMPLETED IN ACCORDANCE WITH MANUFACTURER'S SPECIFICATIONS.
 2. ALL DIMENSIONS ARE CONSIDERED TRUE AND REFLECT MANUFACTURER'S SPECIFICATIONS
 3. DO NOT SCALE DRAWING.

OCC Outdoors Products
 PH: 1-800-821-7670
 EMAIL - occcontact@occoutdoors.com
 Fax: 1-317-862-9422

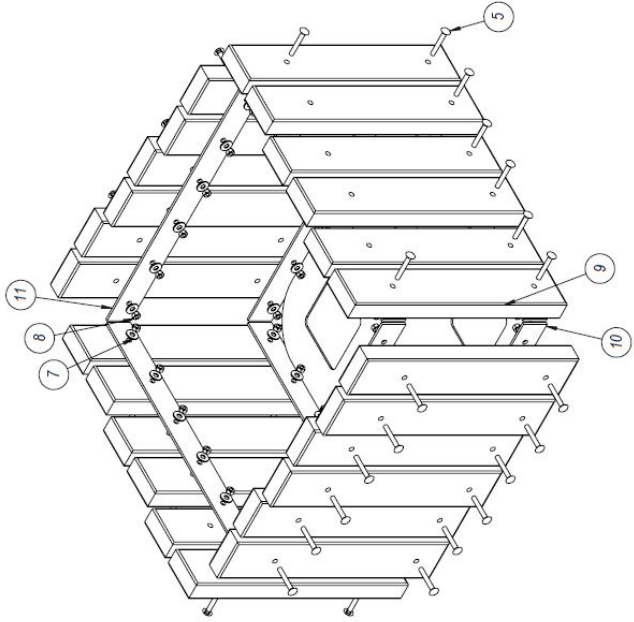
**OCC Outdoors Recycled Plastic
 6' Bench With 2 Planters.**
 Available in 4 recycled plastic colors.

Part #: OCC-992

Date: 1/29/2016

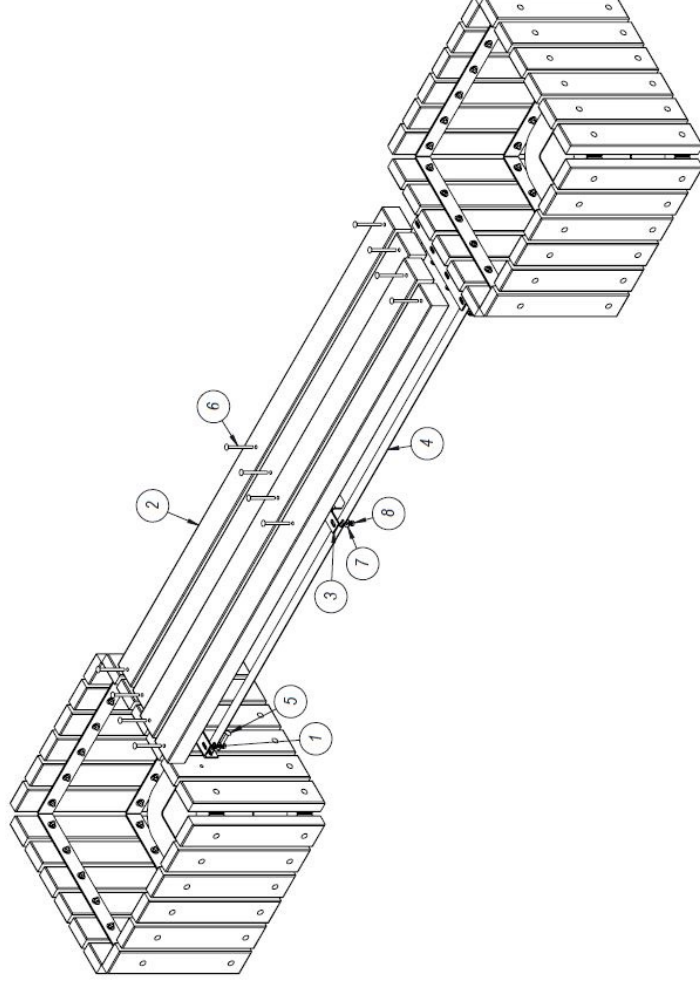
This document contains OCC Outdoors Proprietary Information. No intellectual copyright or license is granted by OCC Outdoors in connection with it. It is delivered on the express condition that the document and the information contained in it shall be treated as confidential, shall not be used for and purpose other than that for which it is hereby delivered (the use and maintenance of the product supplied). It shall not be disclosed in whole or part to third parties and shall not be duplicated in any manner without OCC Outdoors's prior approval.

Assembly - Step 1



Assemble both Planters by attaching the 18" Recycled Planks to the L Bracket Assembly and the Bottom Ring Assembly using specified hardware. Be sure to leave 4 Planks unbolting at the top on each Planter as shown to attach the Bench.

Assembly - Step 2



Attach the 6' Bench Planks to the 952 Center Angle, Planter Bench Attachments, and 6' Bench Angle as shown using specified hardware. Then attach the Bench to the Planters as shown using specified hardware.