

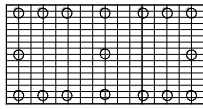
# L482402WLCWB

## ASSEMBLY INSTRUCTIONS

### Custom 2 SHELF MULTI-LEVEL

#### Components Required for Assembly

##### Panels:



(2) 2'x4'

1st and 2nd Level Panels

##### Legs:

(6) 12"

(6) 24"

##### Leg clips:

(2)

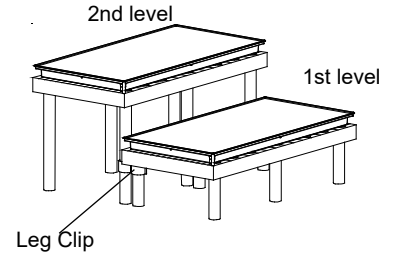
##### WaterBeds:

(2)

##### Accessories:

Oil and Sponge

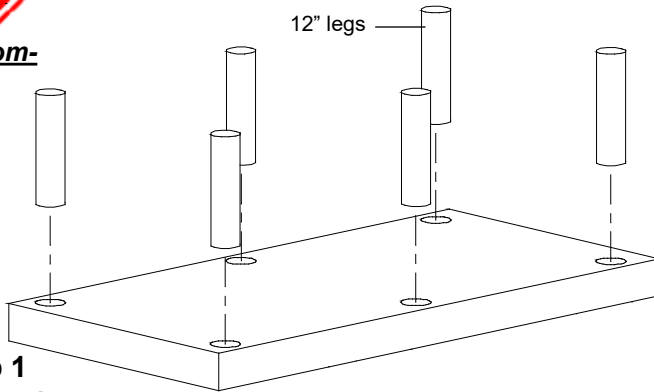
#### Fully Assembled



All sockets must be oiled before assembly

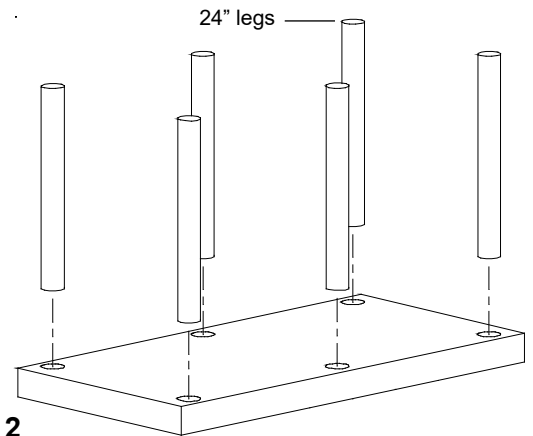


**Check All Components**



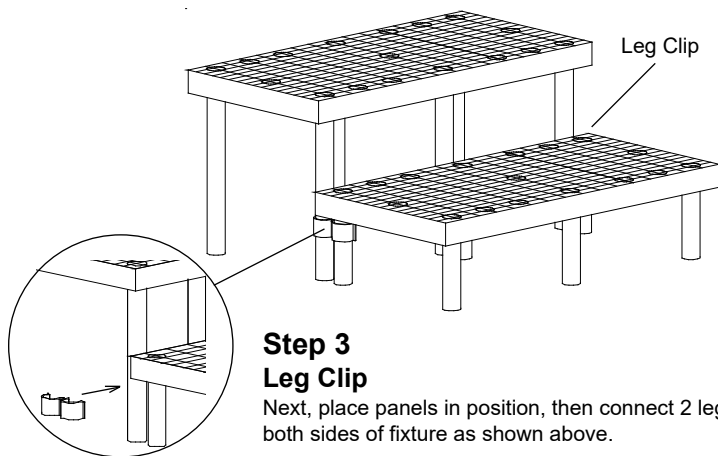
#### Step 1 1st level

Invert (1) 2'x4' **Panel (open hole sockets)** and insert (6) 12" **Legs** in sockets as shown. Push legs all the way through to floor. Next, return panel to the upright position.



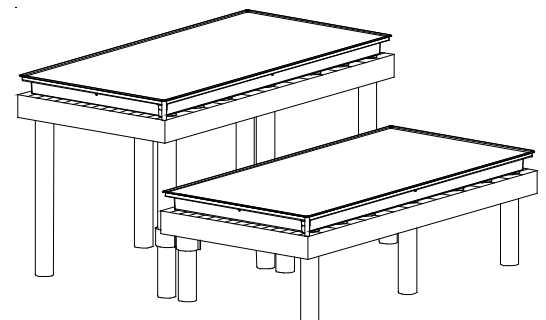
#### Step 2 2nd level

Invert (1) 2'x4' **Panel** and insert (6) 24" **Legs** in sockets as shown. Next, return panel to the upright position.



#### Step 3 Leg Clip

Next, place panels in position, then connect 2 leg clips on both sides of fixture as shown above.



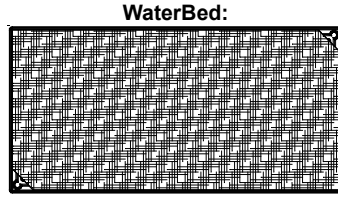
#### Step 3 WaterBed

Next, place (2) **WaterBeds**, (1) on each level as shown above.

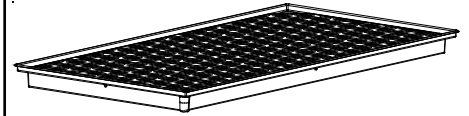
Waterbed™  
 ASSEMBLY INSTRUCTIONS  
 WB4824

Fully Assembled

Components Required for Assembly

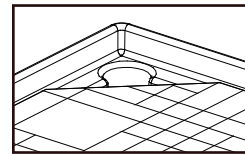


(1) 2x4' WaterBed



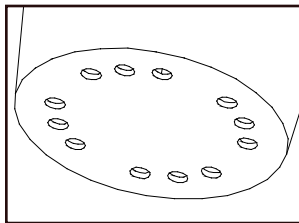
**Check All  
 Components**

**NOTE: Plants must be watered  
 before filling the waterbed.**



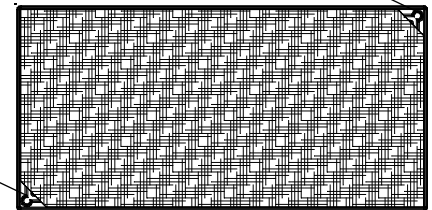
Fill Spouts

Fill Spouts



**Step 1  
 Pot Compatibility**

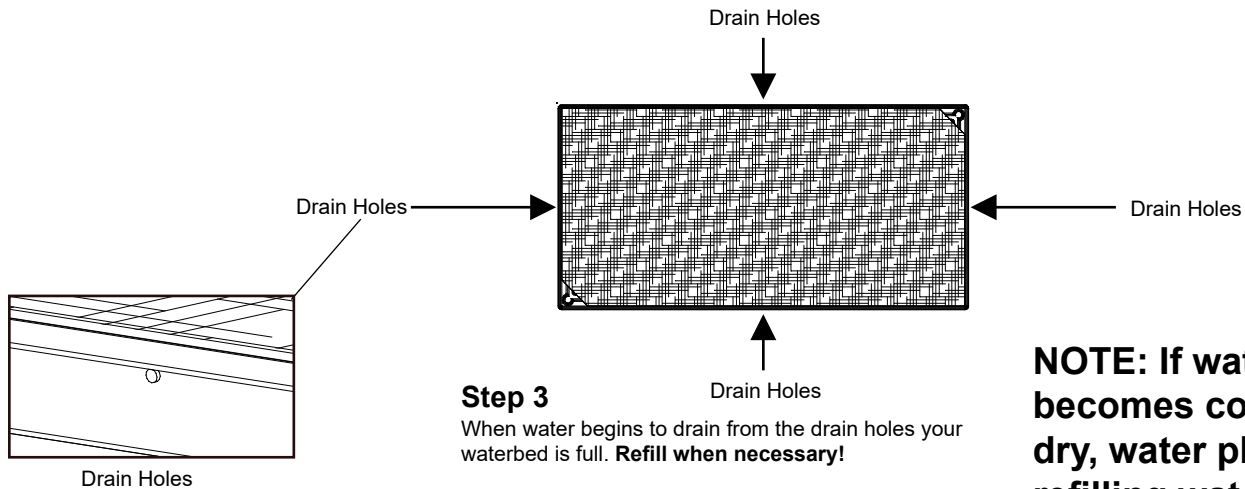
Pots to use with waterbed system must have drain-holes flush with bottom of the pot.



Fill Spouts

**Step 2  
 Filling Procedure**

Pour water into fill spouts until water flows out of drain holes shown in step 3.



**Step 3**  
 When water begins to drain from the drain holes your waterbed is full. **Refill when necessary!**

**NOTE: If waterbed  
 becomes completely  
 dry, water plants before  
 refilling waterbed.**