



Diagram 3: Mounting Layout for Emerald Park 8' Picnic Table

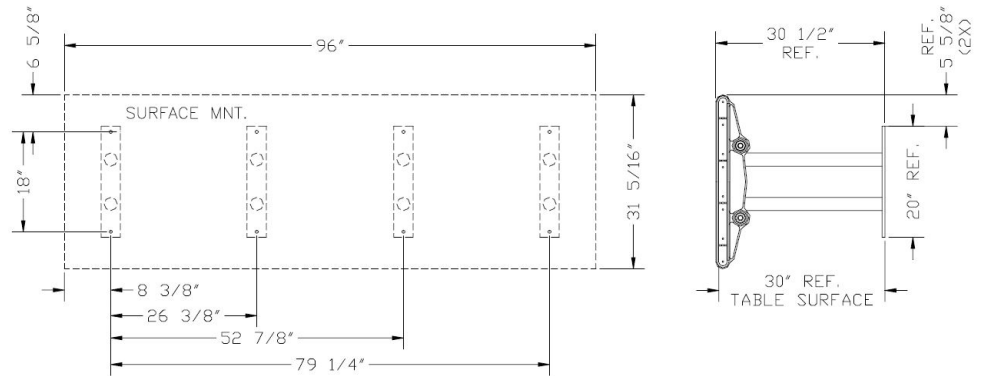


Diagram 2: End Casting Attachment

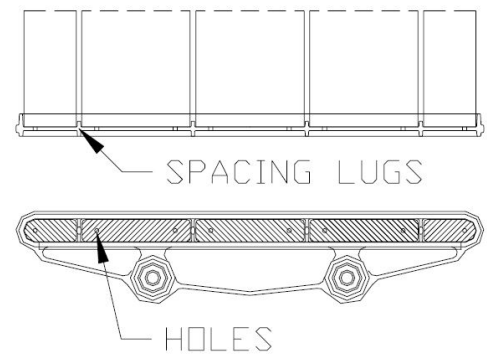
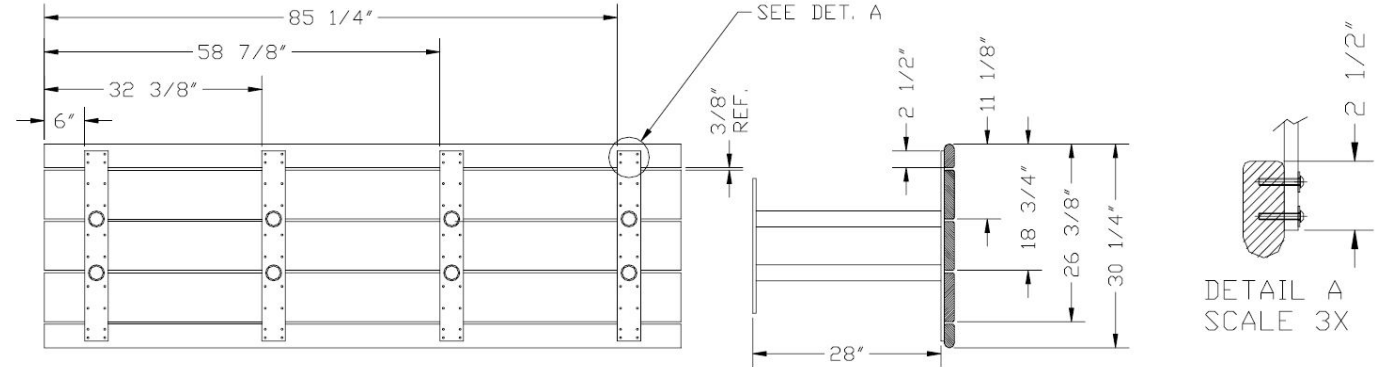


Diagram 1: Emerald Park 8 Foot Picnic Table



WARRANTY: OCCOutdoors, Inc. guarantees all items for one full year to be free of defects in workmanship or materials when installed and maintained properly. We agree to repair or replace, any items determined to be defective. Items specifically not covered by this warranty include vandalism, manmade or natural disasters, lack of maintenance, normal weathering or wear and tear due to public abuse.

- NOTES:**
1. INSTALLATION TO BE COMPLETED IN ACCORDANCE WITH MANUFACTURER'S SPECIFICATIONS.
 2. ALL DIMENSIONS ARE CONSIDERED TRUE AND REFLECT MANUFACTURER'S SPECIFICATIONS
 3. DO NOT SCALE DRAWING.

OCC Outdoors Products
 PH: 1-800-821-7670
 EMAIL - occcontact@occoutdoors.com Fax: 1-317-862-9422

Part #: EP-PT 8' Emerald Park Picnic Table

Date: 10/14/2015 Page 1 of 4

This document contains OCC Outdoors Proprietary Information. No intellectual copyright or license is granted by OCC Outdoors in connection with it. It is delivered on the express condition that the document and the information contained in it shall be treated as confidential, shall not be used for and purpose other than that for which it is hereby delivered (the use and maintenance of the product supplied). It shall not be disclosed in whole or part to third parties and shall not be duplicated in any manner without OCC Outdoors's prior approval.

Assembly and Mounting Instructions for OCC Outdoors 8' Emerald Park Picnic Table

1. Unpack and lay out pieces to assemble. Verify that the parts, quantity, and dimensions match those on the enclosed bill of material.
2. Begin by placing two bull nose boards down on the ground or work area with curved side facing away from each other. Place the three rectangular boards between the two bull nose boards. Begin with one bull nose board and use other boards as working shims.
3. Place one weldment with plate having 20 drilled holes down against the boards and locate plate at a distance of 6 inches from plate side edge to end of bull nose and at a distance of 2 1/2 inches from plate end edge to flat side of bull nose. Use a hand square to line up plate on the bull nose surface. **See diagram 1 also detail A.**
4. Drill 5/32 diameter pilot hole (four places) into the board and install four 1/4 x 1 1/2 screws into the board. (use end 4 holes in metal plate of weldment as a drill guide)
5. Place the second weldment with plate having 20 drilled holes down against the board and locate at a distance of 32 3/8 inches from plate side edge to same end of bull nose used in step 3 and at a distance of 2 1/2 inches from plate end edge to flat side of bull nose. Use a hand square to line up plate on the bull nose surface. **See diagram 1 also detail A.**
6. Drill 5/32 diameter pilot hole (four places) into the board and install four 1/4 x 1 1/2 screws into the board. (use end 4 holes in metal plate of weldment as a drill guide)
7. Place the third weldment with plate having 20 drilled holes down against the board and locate at a distance of 58 7/8 inches from plate side edge to same end of bull nose used in step 3 and at a distance of 2 1/2 inches from plate end edge to flat side of bull nose. Use a hand square to line up plate on the bull nose surface. **See diagram 1 also detail A.**
8. Drill 5/32 diameter pilot hole (four places) into the board and install four 1/4 x 1 1/2 screws into the board. (use end 4 holes in metal plate of weldment as a drill guide)
9. Place the fourth weldment with plate having 20 drilled holes down against the board and locate at a distance of 85 1/4 inches from plate side edge to same end of bull nose used in step 3 and at a distance of 2 1/2 inches from plate end edge to flat side of bull nose. Use a hand square to line up plate on the bull nose surface. **See diagram 1 also detail A.**
10. Drill 5/32 diameter pilot hole (four places) into the board and install four 1/4 x 1 1/2 screws into the board. (use end 4 holes in metal plate of weldment as a drill guide)
11. Locate one rectangular board at a distance of 6 inches from plate side edge to end of board and at a distance of 11 1/8 inches from extreme curved side of secured bull nose at both ends of rect. board. (Ref. 3/8 inch gap between sides of boards at each end.) **See diagram 1.**
12. Drill 5/32 diameter pilot hole (sixteen places) into the board and install sixteen 1/4 x 1 1/2 screws into the board. (use second line of 4 holes in metal plate of weldments as a drill guide)
13. Locate second rectangular board at a distance of 6 inches from plate side edge to end of board and at a distance of 18 3/4 inches from extreme curved side of secured bull nose at both ends of rectangular board. (Ref. 3/8 inch gap between sides of rectangular boards at each end.) **Diag. 1.**
14. Drill 5/32 diameter pilot hole (sixteen places) into the board and install sixteen 1/4 x 1 1/2 screws into the board. (use third line of 4 holes in metal plate of weldment as a drill guide)

Assembly and Mounting Instructions for OCC Outdoors 8' Emerald Park Picnic Table

15. Locate third rectangular board at a distance of 6 inches from plate side edge to end of board and at a distance of 26 3/8 inches from extreme curved side of secured bull nose at both ends of rectangular board. (Ref: 3/8 inch gap between sides of rectangular boards at each end.) **Diag. 1.**
16. Drill 5/32 diameter pilot hole (sixteen places) into the board and install sixteen 1/4 x 1/2 screws into the board. (use fourth line of 4 holes in metal plate of weldment as a drill guide)
17. Locate last bull nose board at a distance of 7 3/4 inches from plate side edge to end of board and at a distance of 30 1/4 inches from extreme curved sides of both bull nose boards. (Ref: 3/8 inch gap between sides of boards at each end) **See diagram 1.**
18. Drill 5/32 diameter pilot hole (sixteen places) into the board and install sixteen 1/4 x 1/2 screws into the board. (use fourth line of 4 holes in metal plate of weldment as a drill guide)
19. Check square ness of table before tightening screws.
20. Set the table upright and attach one end casting (100032) to the end of the table. **Diagram 2**
21. Make certain the board ends fit easily into the receiving areas of the casting and the spacer lugs are between each board. Press the casting firmly up against the board ends until the casting is fully seated. **Diagram 2**
22. Drill 5/32 diameter pilot hole (eight places) into the board ends and install eight 1/4 x 1 1/2 screws through casting into the board ends to secure end casting to the table. (use the holes in metal casting as a drill guide) **Diagram 2**
23. Repeat steps 19 - 21 for the other end of table.

Mounting Instructions for OCC Outdoors Emerald Park Picnic Table With Seats

Mounting Instructions for OCC Outdoors Emerald Park Picnic Table with Seats. All Length's and Styles Use Same Center (end width) Dimensions

1. When table and seat have been assembled, mount according to instructions and diagrams. Do not attempt to surface mount weldments or supports until the units are fully assembled.
2. Surface mounted units will need a level, smooth surface for mounting.
3. Surface mounted units will need concrete anchors at all the mounting hole placements.
4. All units will mount using the same end (width) center line dimensions as shown referenced from the end section of the units in the diagrams below.
5. The 5, 6, and 8 foot length units will use their side (length) center line dimensions as shown on individual mounting instructions for each specific unit. These dimensions are not the same for an equal length table or seat. In order for all units to align on ends, use a chalk line on surface for a reference from outside edge of a seat end support. See table below for dimensions

Unit Length (ins)	Number Supports	Beginning Distance	A center dimension	B center dimension	C center dimension	D center dimension	E center dimension
5 ft Seat 60 ins	Two (2)	1 inch	58 inches	-----	-----	-----	-----
6 ft Seat 72 ins	Two (2)	1 inch	70 inches	-----	-----	-----	-----
8 ft Seat 96 ins	Three (3)	1 inch	94 inches	47 inches	-----	-----	-----
5 ft Table 60 ins	Three (3)	8 3/8 in.	-----	-----	21 5/8 in.	43 1/4 in.	-----
6 ft Table 72 ins	Three (3)	8 3/8 in.	-----	-----	27 5/8 in.	55 1/4 in.	-----
8 ft Table 96 ins	Four (4)	8 3/8 in.	-----	-----	26 3/8 in.	52 7/8 in.	79 1/4 in.
8 ft ADA Table 96	Four (4)	8 3/8 in.	-----	-----	25 inches	50 inches	83 1/2 in.

For ADA Tables, one or both seat units need to be shorter than the table length

Diagram 1 : Surface mount 8' standard Emerald Park table with two 8' standard seats shown.

