



Diagram 4: Surface Mounting Specifications

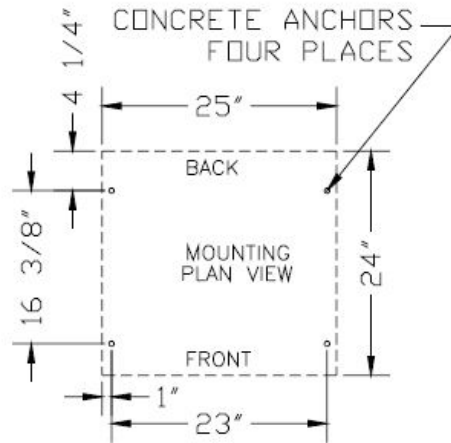


Diagram 1: End Casting and Support Tube Assembly

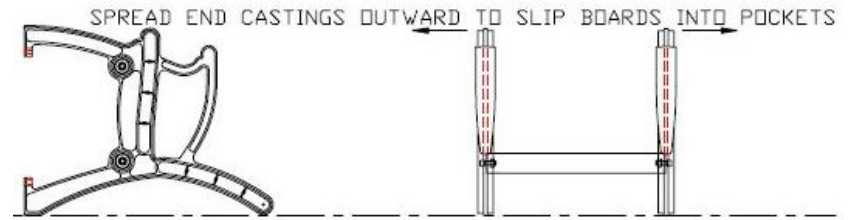


Diagram 2: Placing and Fastening Seat Boards

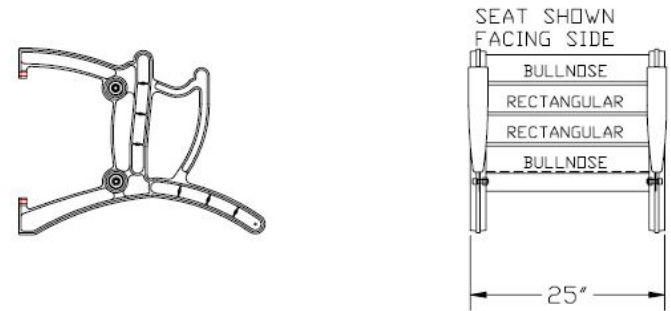
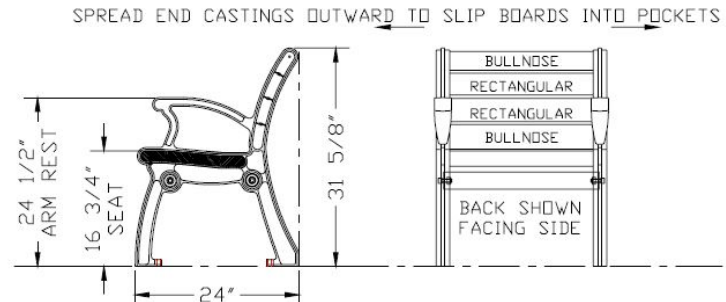


Diagram 3: Placing and Fastening Back Boards



Bill of Materials:

PART #	DESCRIPTION	QTY
73-100029	BENCH END	2
73-100105	2" TUBE	2
	2 X 4 X 22-5/8" BULL-NOSE PLASTIC LUMBER	4
	2 X 4 X 22-5/8" ROUND CORNER PLASTIC LUMBER	4
71-0022	FASTENER KIT INCLUDES:	1
71-TP141SS	SCREW, BUTTON HEAD STAINLESS 14X1 SECURITY	34
71-TP1213112CHSS	SCREW, CAP HEAD STAINLESS 1/2-13X1-1/2 SECURITY	4
71-FW500125	SPACER, NYLON	4
71-14HEXKEY	HEX KEY, 1/4" HEX SECURITY	1
71-532HEXKEY	HEX KEY, 5/32" HEX SECURITY	1
71-532BIT	BIT, DRILL 5/32" DIAMETER	1
71-TP142SS	SCREW, BUTTON HEAD STAINLESS 14X2 SECURITY	2

WARRANTY: OCCOutdoors, Inc. guarantees all items for one full year to be free of defects in workmanship or materials when installed and maintained properly. We agree to repair or replace, any items determined to be defective. Items specifically not covered by this warranty include vandalism, manmade or natural disasters, lack of maintenance, normal weathering or wear and tear due to public abuse.

NOTES:

1. INSTALLATION TO BE COMPLETED IN ACCORDANCE WITH MANUFACTURER'S SPECIFICATIONS.
2. ALL DIMENSIONS ARE CONSIDERED TRUE AND REFLECT MANUFACTURER'S SPECIFICATIONS
3. DO NOT SCALE DRAWING.

OCC Outdoors Products

PH: 1-800-821-7670

EMAIL - occcontact@occoutdoors.com Fax: 1-317-862-9422

Part #: Ep-Ben-RecyL 2' Emerald Park Plastic Chair

Date: 10/14/2015 Page 1 of 2

This document contains OCC Outdoors Proprietary Information. No intellectual copyright or license is granted by OCC Outdoors in connection with it. It is delivered on the express condition that the document and the information contained in it shall be treated as confidential, shall not be used for and purpose other than that for which it is hereby delivered (the use and maintenance of the product supplied). It shall not be disclosed in whole or part to third parties and shall not be duplicated in any manner without OCC Outdoors's prior approval.

1. Unpack and lay out pieces to assemble. Verify that the parts, quantity, and dimensions match those on the enclosed bill of material.
2. Begin by loosely assembling the bench end castings to the “back” support tube. **See diagram 1.**
3. Lay one 100029 end casting “back” side down and attach the “back” support tube 100035. Place the support tube into the “back” receiving hole of the casting and fasten with a 1/2 x 1 1/2 cap screw through a plastic spacer, through the casting, and into the threaded end of the support tube. **See diagram 1.** Hand snug the cap screw – do not tighten.
4. Lay the second 100029 end casting “back” side down and attach the “back” support tube 100035 following the same procedure as step 3.
5. Place a bull nose board (best side facing you) nose down, into the lower pocket of one end casting and then into the lower pocket of the other end casting. May need to spread the end castings outward at upper ends in order to get board in between the end casting flanges. This can be accomplished by loosening the cap screws a little. **See diagram 2.**
6. Continue to place boards into one pocket of an end casting and then into the other pocket in the order shown until last board for seat is in place. Keep best side facing out. Keep boards in front of the support casting(s). Make sure that boards center between the lugs on the support casting(s)
7. Install the “front” support tube 100035 between the two end castings seating the tubing in the radius portion of the support casting(s) and fasten with a 1/2 x 1 1/2 cap screw through a plastic spacer, through the casting, and into the threaded ends of the support tube. **See diagram 3.**
8. Hand snug all cap screws to square up the frame made by the tubing and end castings.
9. Set the bench upright to finish the assembly.
10. Place a bull nose board (best side facing out) nose down, into the lower pocket of one end casting and then into the lower pocket of the other end casting. Make certain that the support casting is behind the board. May need to spread the end castings outward at upper ends in order to get board in between the end casting flanges. This is accomplished by loosening the cap screws slightly. **See diagram 3.**
11. Continue to place boards into one pocket of an end casting and then into the other pocket in the order shown until last board for back is in place. Keep best side facing out.
12. Tighten the four cap screws to secure the end castings to the support tubes. Make certain that the alignment between the end castings is plumb when tightening so bench doesn’t rock.
13. The bench is now ready for mounting. **Mounting is shown in diagram 4.**