



Diagram 1: Greenwood 8' Surface Mount Table

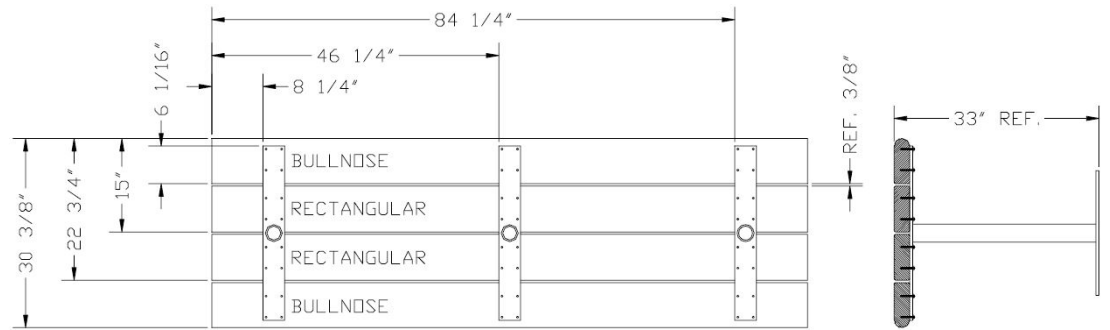


Diagram 2A: 8' Table Surface Mount Concrete Anchors Mounting Locations

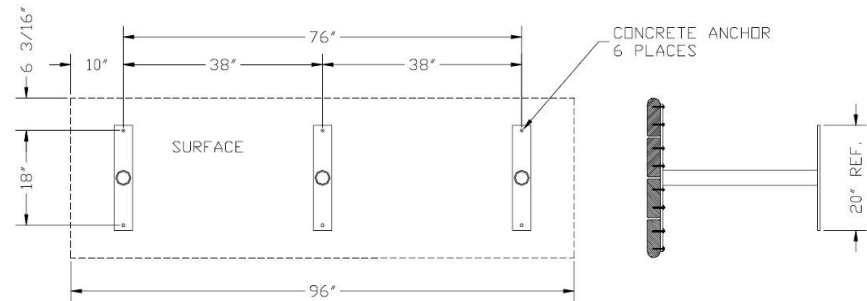
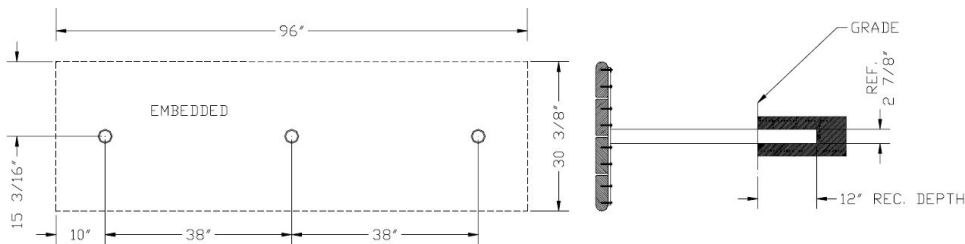


Diagram 2B: 8' Table In-Ground Mount (3) Locations



**WARRANTY:** OCCOutdoors, Inc. guarantees all items for one full year to be free of defects in workmanship or materials when installed and maintained properly. We agree to repair or replace, any items determined to be defective. Items specifically not covered by this warranty include vandalism, manmade or natural disasters, lack of maintenance, normal weathering or wear and tear due to public abuse.

**NOTES:**

1. INSTALLATION TO BE COMPLETED IN ACCORDANCE WITH MANUFACTURER'S SPECIFICATIONS.
2. ALL DIMENSIONS ARE CONSIDERED TRUE AND REFLECT MANUFACTURER'S SPECIFICATIONS.
3. DO NOT SCALE DRAWING.

**OCC Outdoors Products**

PH: 1-800-821-7670

EMAIL - [occcontact@occoutdoors.com](mailto:occcontact@occoutdoors.com) Fax: 1-317-862-9422

**Part #: GW-PT 8' Greenwood Picnic Table**

Date: 3/16/18 v1.1 Page 1 of 4

This document contains OCC Outdoors Proprietary Information. No intellectual copyright or license is granted by OCC Outdoors in connection with it. It is delivered on the express condition that the document and the information contained in it shall be treated as confidential, shall not be used for and purpose other than that for which it is hereby delivered (the use and maintenance of the product supplied). It shall not be disclosed in whole or part to third parties and shall not be duplicated in any manner without OCC Outdoors's prior approval.

Assembly and Mounting Instructions for OCC Outdoors 8' Greenwood Picnic Table - Both Surface Mount and In-Ground Mount.

1. Unpack and lay out pieces to assemble. Verify that the parts, quantity, and dimensions match those on the enclosed bill of material.
2. Begin by placing two bull nose boards down on the ground or work area with curved side facing away from each other. Place the two rectangular boards between the two bull nose boards. Begin with one bull nose board and use other boards as working shims.
3. Place one weldment with plate having 16 drilled holes down against the boards and locate plate at a distance of 8 1/4 inches from plate side edge to end of bull nose and at a distance of 6 1/16 inches from plate end edge to flat side of bull nose. Use a hand square to line up plate on the bull nose surface. **See diagram 1.**
4. Drill 5/32 diameter pilot hole (four places) into the board and install four 1/4 x 2 screws into the board. (use end 4 holes in metal plate of weldment as a drill guide)
5. Place the second weldment with plate having 16 drilled holes down against the board and locate at a distance of 46 1/4 inches from plate side edge to same end of bull nose used in step 4 and at a distance of 6 1/16 inches from plate end edge to flat side of bull nose. Use a hand square to line up plate on the bull nose surface. **See diagram 1.**
6. Drill 5/32 diameter pilot hole (four places) into the board and install four 1/4 x 2 screws into the board. (use end 4 holes in metal plate of weldment as a drill guide)
7. Place the third weldment with plate having 16 drilled holes down against the board and locate at a distance of 84 1/4 inches from plate side edge to same end of bull nose used in step 4 and at a distance of 6 1/16 inches from plate end edge to flat side of bull nose. Use a hand square to line up plate on the bull nose surface. **See diagram 1**
8. Drill 5/32 diameter pilot hole (four places) into the board and install four 1/4 x 2 screws into the board. (use end 4 holes in metal plate of weldment as a drill guide)
9. Locate one rectangular board at a distance of 8 1/4 inches from plate side edge to end of board and at a distance of 15 inches from extreme curved side of secured bull nose at both ends of rect. board. (Ref. 3/8 inch gap between sides of boards at each end.) **See diagram 1.**
10. Drill 5/32 diameter pilot hole (twelve places) into the board and install twelve 1/4 x 2 screws into the board. (use second line of 4 holes in metal plate of weldment as a drill guide)
11. Locate second rectangular board at a distance of 8 1/4 inches from plate side edge to end of board and at a distance of 22 3/4 inches from extreme curved side of secured bull nose at both ends of rectangular board. (Ref. 3/8 inch gap between sides of rectangular boards at each end.)
12. Drill 5/32 diameter pilot hole (twelve places) into the board and install twelve 1/4 x 2 screws into the board. (use third line of 4 holes in metal plate of weldment as a drill guide)
13. Locate second bull nose board at a distance of 8 1/4 inches from plate side edge to end of board and at a distance of 30 3/8 inches from extreme curved sides of two bull nose boards at both ends (Ref. 3/8 inch gap between sides of rectangular boards at each end.)
14. Drill 5/32 diameter pilot hole (twelve places) into the board and install twelve 1/4 x 2 screws into the board. (use fourth line of 4 holes in metal plate of weldment as a drill guide)
15. Check square ness of table before tightening screws.
16. Surface mount table 180001 mounts with 1/2 inch anchors into concrete surface at dimensions as shown on **Diagram 2A**
17. Embedded mount table 180002 mounts by setting in filled holes at dimensions as shown on **Diagram 2B.**

## Mounting Instructions: OCC Outdoors Greenwood Picnic Table - both Surface Mount & In-Ground Mount

1. When table and seat have been assembled, mount according to instructions and diagrams. Do not attempt to mount weldments or embed support tubes until the units are fully assembled.
2. Embedded units, mounted in concrete piers need a minimum 8 inch diameter Sono Tube form to a depth conforming with local codes or requirements for each support tube. A 10 inch diameter Sono Tube form would be considered as a maximum diameter requirement. Embedded units should be set so reference dimensions above grade are maintained. This should produce a nominal 12 inch length of the support tubes in the concrete piers.
4. Concrete should be a type conforming to local codes or requirements.
5. Embedded units will need to be supported so reference dimensions for heights above grade are maintained. Tubes will need to remain centered in the form as concrete is added.
6. Surface mounted units will need a level, smooth surface for mounting.
7. Surface mounted units will need concrete anchors at all the mounting hole placements.
8. All units will mount using the same end (width) center line dimensions as shown referenced from the end section of the units in the diagrams below.
9. The 5, 6, and 8 foot length units will use their side (length) center line dimensions as shown on individual mounting instructions for each specific unit. These dimensions are the same for an equal length table or seat. See table 1 below for dimensions.

Table 1:

Unit Length (ins)	Number Supports	Beginning Distance	A center dimension	B center dimension
5 ft Seat 60 ins	Two (2)	10 inches	40 inches	-----
6 ft Seat 72 ins	Two (2)	10 inches	52 inches	-----
8 ft Seat 96 ins	Three (3)	10 inches	76 inches	38 inches
5 ft Table 60 ins	Three (3)	10 inches	40 inches	-----
6 ft Table 72 ins	Two (2)	10 inches	52 inches	-----
8 ft Table 96 ins	Three (3)	10 inches	76 inches	38 inches
6 ft ADA Table 72 ins	Two (2)	10 inches	36 inches	-----
8 ft ADA Table 96 ins	Three (3)	10 inches	60 inches	22 inches

Assembly and Mounting Instructions for OCC Outdoors 8' Greenwood Picnic Table - Both Surface Mount and In-Ground Mount.

Diagram 1: OCC Outdoors Surface Mount 8' Greenwood Park with 8' Seats Concrete Anchor Locations.

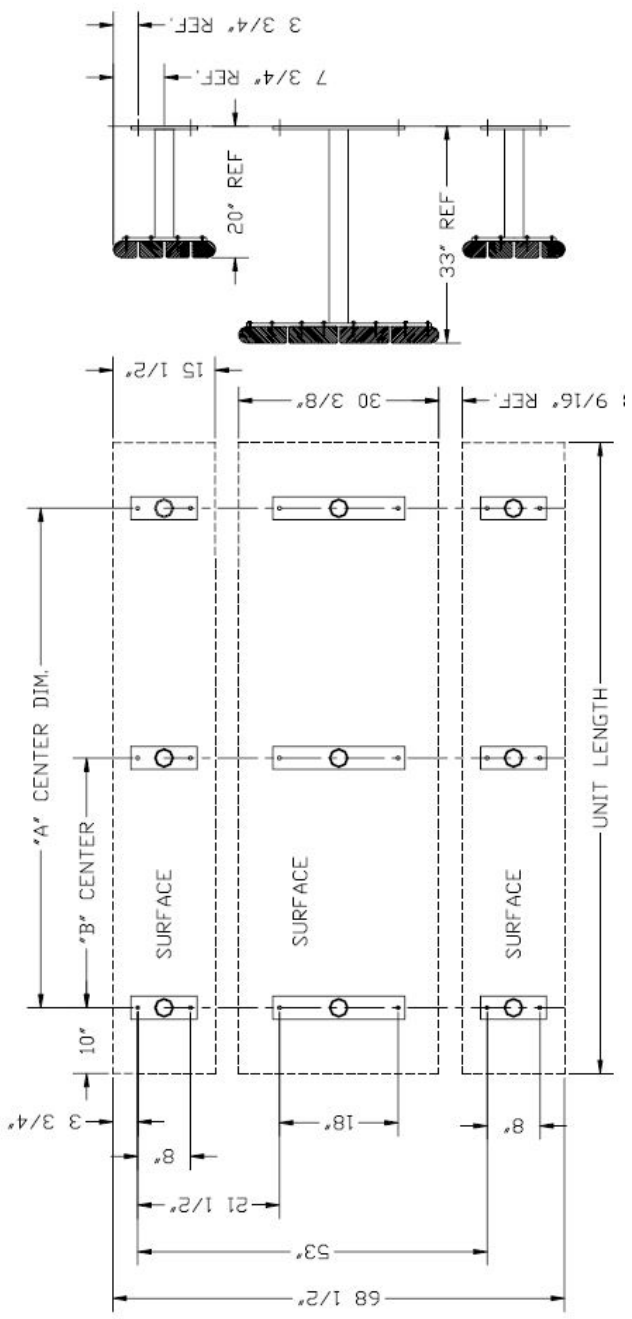


Diagram 2: OCC Outdoors In-Ground Mount 8' Greenwood Park Picnic Table with 8' Seats In-Ground Mount Locations.

