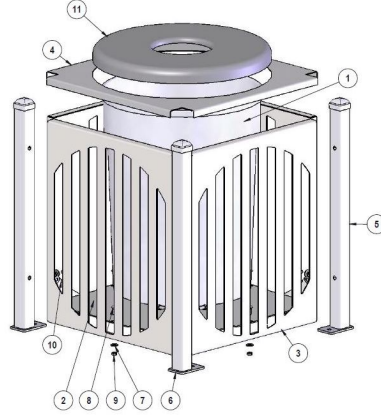


### Parts List



#### Hardware Included



3/8" x 1" Machine Bolt



3/8" x 1" Carriage Bolt



3/8" Washer

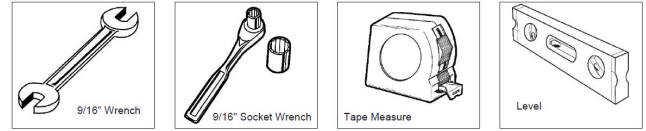


3/8" Kep Nut

ITEM NO.	PartNo	DESCRIPTION	QTY
1	PL-32	32 Gal. Liner	1
2	01-05-0057	Sav Receptacle Bottom Plate	1
3	01-05-0068	Sav Side Panel Bow	4
4	01-05-0056	Sv Flat Top Holder	1
5	T-SV32-R	Sav Receptacle 32 Frame RH	2
6	T-SV32-L	Sav Receptacle 32 Frame LH	2
7	33-02-0008	3/8" Flat Washer (SS)	20
8	33-06-0042	3/8" x 1" Carriage Bolt (SS)	4
9	33-03-0013	3/8" Kep Nut (SS)	4
10	33-06-0056	3/8" x 1" Machine Bolt (SS)	16
11	(T/P) FTR-32-08	32 Gallon Rolled Flat Top with a 8" opening	1

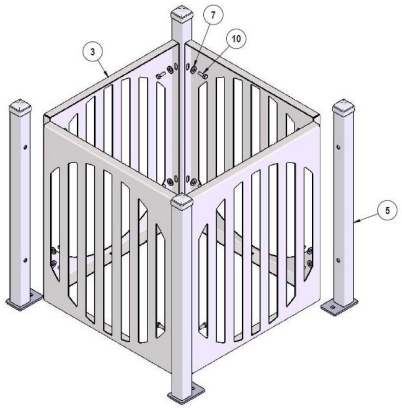
Optional Surface Mount Hardware:  
3/8" x 3-1/2" Concrete Expansion Anchor Bolts  
(Not Included)

#### Tools Required For Assembly

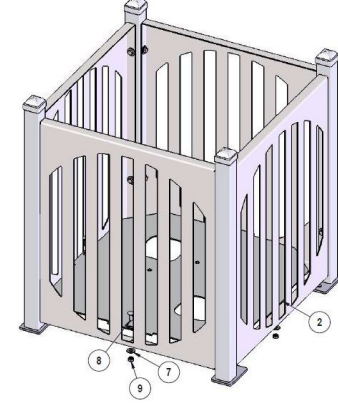


### Assembly Instructions

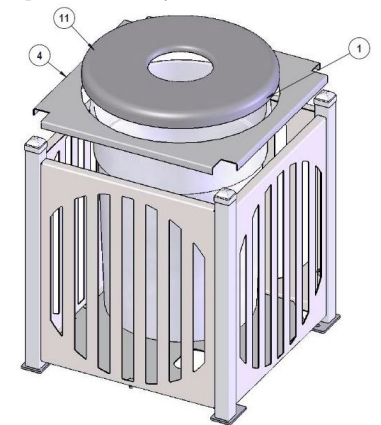
Step 1: Attach the Bow Panels to the Sav Frames as shown using the specified hardware



Step 2: Insert the Sav Bottom Plate in the assembly and fasten using specified hardware



Step 3: Place 32 Gallon Liner into assembly, then place Sav Top Holder and Ash Urn on top of the assembly as shown.



**WARRANTY:** OCCOutdoors, Inc. guarantees all items for one full year to be free of defects in workmanship or materials when installed and maintained properly. We agree to repair or replace, any items determined to be defective. Items specifically not covered by this warranty include vandalism, manmade or natural disasters, lack of maintenance, normal weathering or wear and tear due to public abuse.

#### NOTES:

1. INSTALLATION TO BE COMPLETED IN ACCORDANCE WITH MANUFACTURER'S SPECIFICATIONS.
2. ALL DIMENSIONS ARE CONSIDERED TRUE AND REFLECT MANUFACTURER'S SPECIFICATIONS
3. DO NOT SCALE DRAWING.

This document contains OCC Outdoors Proprietary Information. No intellectual copyright or license is granted by OCC Outdoors in connection with it. It is delivered on the express condition that the document and the information contained in it shall be treated as confidential, shall not be used for and purpose other than that for which it is hereby delivered (the use and maintenance of the product supplied). It shall not be disclosed in whole or part to third parties and shall not be duplicated in any manner without OCC Outdoors's prior approval.

**OCC Outdoors Products**  
PH: 1-800-821-7670  
EMAIL - occcontact@occoutdoors.com  
Fax: 371-862-9422

**Part #: OCC-SV-B32FT**

Date: 8/05/2015

**OCC Outdoors OCC-SV-B32FT 32 Gallon Trash Receptacle, Bow Sides & Flat Top with Thermoplastic Finish.**