



50-Gallon Heavy Duty Trash Receptacle with Large Ash Urn

- Heavy Duty 16 Gauge galvaneal top with durable Super TGIC Powder Coat Zinc Advantage System
- **Heavy Duty 1/8" nominal thickness rotary molded liner**
- Anchor Kit Included
- Coated Stainless Steel Security Cable Included
- Top Optimized design to help catch more trash and reduce rain collection by 66%
- Heavy 18 gauge galvaneal rain guard or ash urn with super TGIC powder coat, with an optimized design to eliminate most of the remaining rain collection.
- 1/4" x 2" Steel Vertical slats & elevating inner bottom ring with leveling feet
- Weight: 136 Lbs.

Other Options:

- Surface Mount (Standard)
- Surface Pedestal Mount
- In-ground Pedestal Mount
- Side Mounted Ash Urn

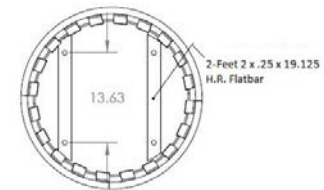
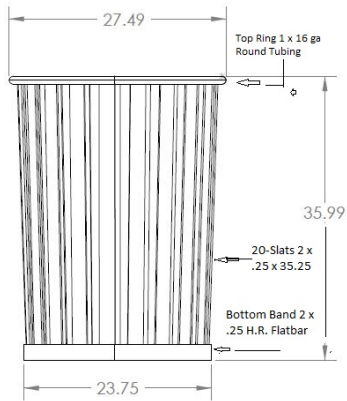


Optional Heavy Duty Laser Cut Stainless Steel Recycle Plaques



Top Options:

- (1) Steel Top
- (2) Steel Top, LG Rain Guard
- (3) Steel Top, LG Ash Urn
- (4) Steel Top, LG Rain Guard, Removable Ash Urn
- (5) Steel Top, LG Rain Guard, Covered Ash Urn
- (6) Plastic Dome Top, Door
- (7) Plastic Dual Opening Dome Top



Available Receptacle Colors:

- Black: RAL 9005
- Bronze: C33
- Green: RAL 6005
- Blue: RAL 5012
- Silver Gray: 70049
- Burgundy: RAL 3004
- Custom colors on request



Dome top colors:

- Blue
- Black
- Brown
- Green
- Orange
- Yellow
- White
- Red
- Light Granite (+\$12.00)
- Dark Granite (+\$12.00)
- Beige Granite (+\$12.00)



OCCOutdoors, Inc. Warranty: 20 Years Structural and one year paint when installed and maintained properly. We agree to repair or replace, any items determined to be defective. Items specifically not covered by this warranty include vandalism, man-made or natural disasters, lack of maintenance, normal weathering or wear and tear due to public abuse.

NOTES:

1. INSTALLATION TO BE COMPLETED IN ACCORDANCE WITH MANUFACTURER'S SPECIFICATIONS.
2. ALL DIMENSIONS ARE CONSIDERED TRUE AND REFLECT MANUFACTURER'S SPECIFICATIONS
3. DO NOT SCALE DRAWING.

This document contains OCC Outdoors Proprietary Information. No intellectual copyright or license is granted by OCC Outdoors in connection with it. It is delivered on the express condition that the document and the information contained in it shall be treated as confidential, shall not be used for and purpose other than that for which it is hereby delivered (the use and maintenance of the product supplied). It shall not be disclosed in whole or part to third parties and shall not be duplicated in any manner without OCC Outdoors's prior approval.

OCC Outdoors Products

PH: 1-800-821-7670
 EMAIL - occcontact@occoutdoors.com
 Fax: 1-317-862-9422

Part #: REC-SL-50-AU

50-Gallon Heavy Duty Trash Receptacle With Heavy Duty Liner and Large Ash Urn

Date: 3/12/18 v1.1

Our Durable Super TGIC Powder Coat Paint Zinc Advantage System

Zinc Advantage Process Details:

Zinc Rich Primer & Super TGIC Powder Coat Finishing Operations.

1. Sand blasts each unit down to shiny metal.
2. Clean and hand inspects each unit.
3. Powder coat with 70 % zinc rich epoxy resin primer.
4. Partially bake the primer.
5. Powder coat with SUPER TGIC Polyester finish coat.
6. Final bake, creating a molecular bond between the steel, primer and finish coat.
7. Each part is tested by a Xylene test to insure a complete cure.

Advantages:

1. A very tough durable finish with 5 times the fade resistance of standard TGIC powder coatings with a 3H pencil hardness. (All test conducted in South Florida.)
2. If scratched through to the metal, the zinc rich primer greatly reduce rust and the potential for the migration of rust.
3. This system is cured and each unit test for cure so many types of paint used for graffiti can be clean with mild solvents.

Our paint manufacturer's Zinc rich primer TGIC Polyester out lasts all major competitors on the 4000 hour salt spray test per ASTM B117. Detailed reports available by request.